

KUBEW

**Module for automation control via smartphone
using BLE/Wi-Fi**



Management
System
ISO 9001:2015

www.tuv.com
ID 9105043769

INDICE

1	Safety warnings	pag. 3
2	Product description	pag. 3
3	Technical data.....	pag. 3
4	Controls and electrical connections.....	pag. 3
5	Preliminary checks	pag. 4
6	Product installation	pag. 4
7	Disposal.....	pag. 5
8	Declaration of conformity.....	pag. 6

Pohony LM

1 - SAFETY WARNINGS



WARNING!

For people's safety, it is important to comply with these instructions and keep them for future reference. Read the instructions carefully before carrying out the installation. The design and manufacture of the devices that make up the product, as well as the information contained in this manual, comply with the applicable safety regulations. Nevertheless, incorrect installation and programming may cause serious injury to the people performing the work and to those who will use the system. For this reason, during installation it is important to carefully follow all the instructions provided in this manual.

2 - PRODUCT DESCRIPTION

KUBEW is a Wi-Fi/Bluetooth module dedicated to the control of gate and garage door automation systems, intended for the end user (not the installer). The new Bluetooth and 2.4 GHz Wi-Fi 4 (802.11 b/g/n) module is an advanced and versatile solution, ideal for improving the connectivity of your devices. It is compatible with a wide range of devices, including CT10324, CT20324, CT10324I, 14A (2026 or later), MA24ISL, CT103, CTE203, and HALO (Low Energy version only).

3 - TECHNICAL DATA

MODEL	KUBEW
Power Supply	5 V d.c.
Maximum power	1,5 W
Working cycle	continuous
Degree of protection	IP 40
Antenna	integrated
BLE / Wi-Fi frequency	2.4 GHz
Operating temperature	-20 - +55 °C
Electrical insulation class	III
Minimum requirements for smartphone apps	iOS 13, Android 9

4 - CONTROLS AND ELECTRICAL CONNECTIONS

KUBEW plugs directly into a dedicated slot on compatible Key Automation control units.

The device is controlled via a smartphone using a dedicated app; the connection between the smartphone and KUBEW is established directly via Bluetooth (preferred and always available) and via an existing Wi-Fi network (if available).

5 - PRELIMINARY CHECKS

Make sure that the control unit is compatible with KUBEW.

Compatibility



CT10324, CT20324, 14A (≥2026), HALO LOW ENERGY, CT103, CTE203, MA24ISE, MA24ISL

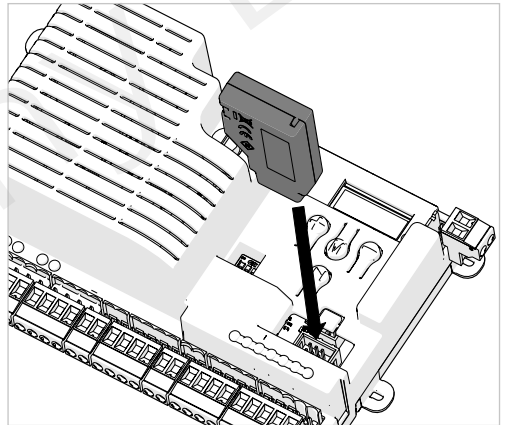
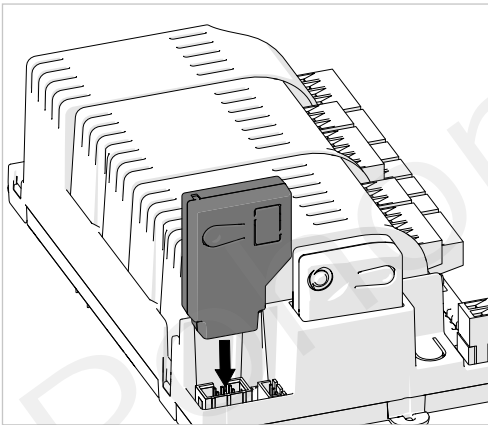


CT10224, CT20224, 14A (≤2025), HALO, CT102B, CT202, CT1RS

For Wi-Fi use, an existing network is required (KUBEW does not create a standalone Wi-Fi network) to which the device can connect, with adequate coverage at the installation location.

6 - PRODUCT INSTALLATION

Insert KUBEW into the dedicated slot of the control unit after removing the protective cover (position and shape may vary depending on the control unit).



Install the Key Automation S.r.l. KUBE SMART application from the Apple Store or Google Play Store on your smartphone.

Access the application and connect to KUBEW using the secret code provided inside the package, then follow the instructions on the smartphone.

WARNING!

The secret code must be used only for the first pairing, by the user who performs the initial configuration and the first Bluetooth connection to KUBEU. Subsequent reuse of the secret code removes the initial user pairing, as well as all access shared with other users.

WARNING!

Keep the card with the secret code, which may be necessary for future reinstallation of the product in case you have forgotten the email to access your account.

For the **CONFIGURATION OF THE KUBE SMART APP BY ADMINISTRATORS AND END USERS**, please refer to the dedicated video tutorial.

 **VIDEO TUTORIAL**

For **CONNECTING KUBEW TO THE WI-FI NETWORK**, please refer to the dedicated video tutorial.

 **VIDEO TUTORIAL**

For **SHARING ACCESS PERMISSIONS**, please refer to the dedicated video tutorial.

 **VIDEO TUTORIAL**

For **ANONYMOUS ACCESS SHARING**, please refer to the dedicated video tutorial.

 **VIDEO TUTORIAL**

7 - DISPOSAL

The packaging components, properly separated, must be disposed of in the appropriate bins. This product should be considered as WEEE (Waste Electrical and Electronic Equipment) and must not be disposed of with household waste. It must be taken separately to an authorized WEEE collection center.



KEY AUTOMATION S.r.l. reserves the right to modify these instructions if necessary; this version and/or a later version can be found on the website www.keyautomation.com

DO NOT DISPOSE OF IN THE ENVIRONMENT!

8 - DECLARATION OF CONFORMITY

EU DECLARATION OF CONFORMITY

The undersigned Nicola Michelin, General Manager of the company

Key Automation S.r.l., via Meucci 23, 30027 San Donà di Piave (VE) – ITALIA

declares that the product type:

KUBEW

BLE/Wi-Fi 2.4 GHz module for automation systems control.

Models:

KUBEW, KUBEWA, KUBEPROW

Complies with the following community (EC) regulations:

Direttiva radiofrequenza RED 2014/53/EU
Direttiva RoHS 2011/65/EU

In accordance with the following harmonized standards regulations:

EN 301 489-1 V2.2.3:2019,
EN 301 489-17 V3.3.1:2024
ETSI EN 300 328 V2.2.2:2019
EN IEC 62368-1:2024 + A11:2024
EN 62479:2010

This declaration of conformity is issued under the sole responsibility of the manufacturer.

San Donà di Piave (VE), 23/01/26

General Manager
Nicola Michelin



Key Automation S.r.l.
Via Meucci, 23
30027 San Donà di Piave (VE)
P.IVA 03627650264 C.F. 03627650264
info@keyautomation.it

Capitale sociale 154.000 € i.v.
Reg. Imprese di Venezia 03627650264
REA VE 326953
<http://www.keyautomation.com/>



Organizzazione con sistema di gestione certificato