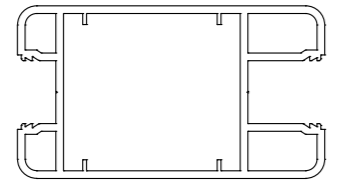
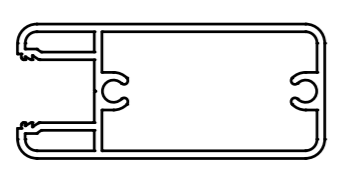
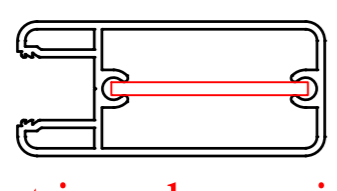
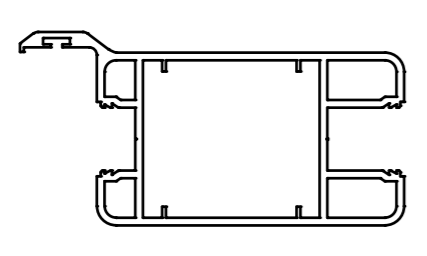
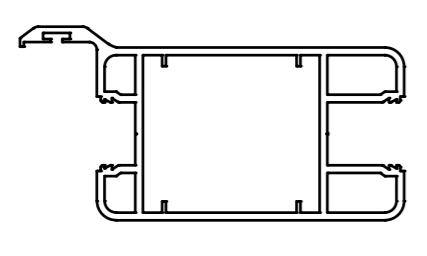
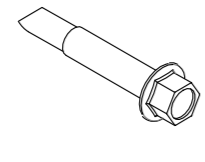
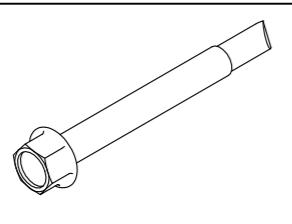
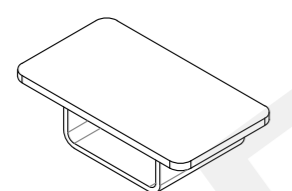
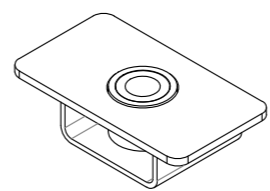
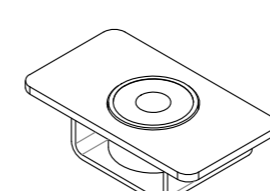
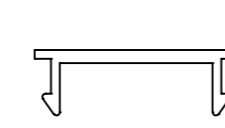
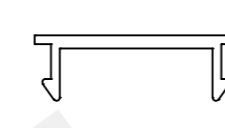

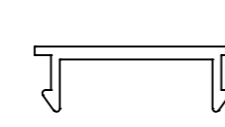
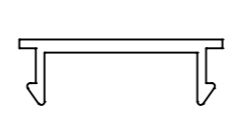
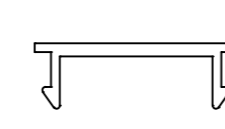


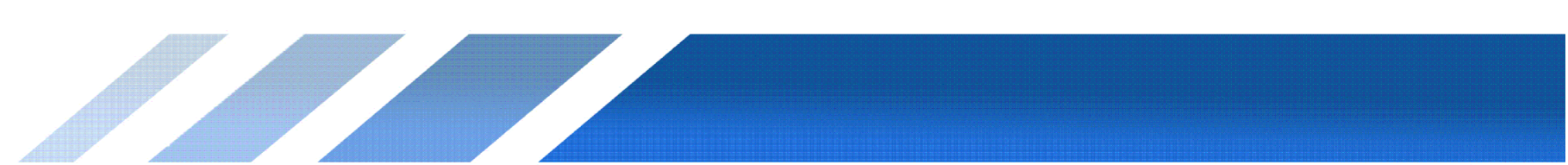


Carton 1/3

Drawings	Qty
 1607.5m	2
 1726mm	2
 Part in red are reinforced to fix motorization. 1726mm	2
 1607.5mm	1
 1607.5mm	1
 M4*16	8
 M6.3*75	16
	4


Drawings	Qty
	2
	2
 1678mm	2
 31mm	8
 447mm	1
 967mm	1
 447mm	1
 998.5mm	1

3500*1615.5



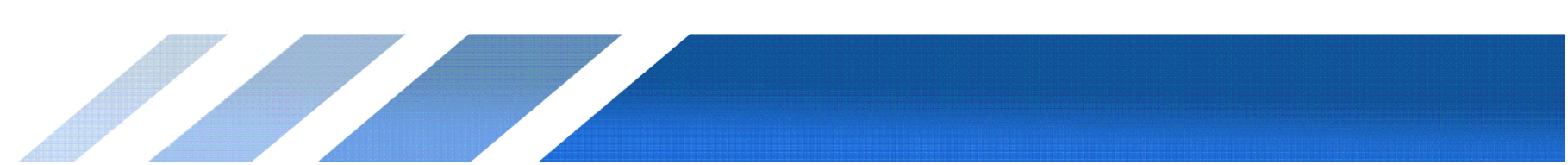


Carton 2/3

Drawings	Qty
 1630mm	10

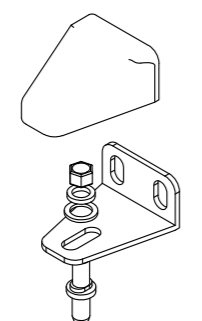
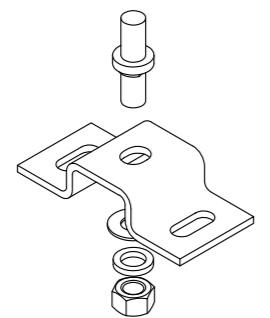
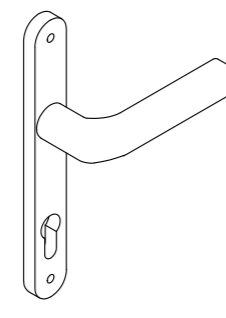
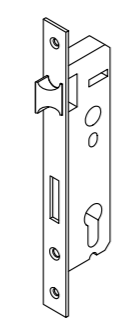
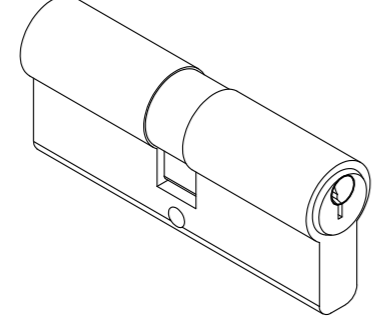
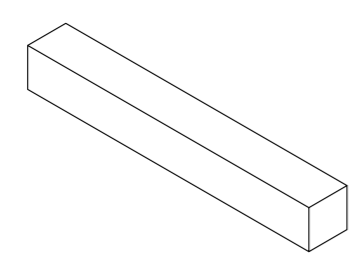
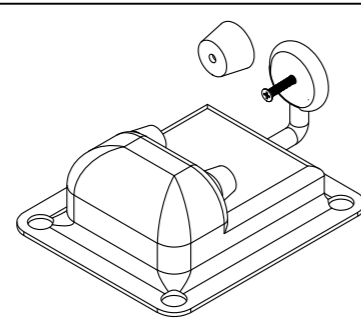
Pohony LM

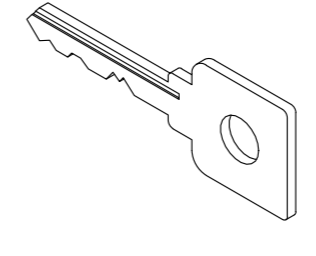
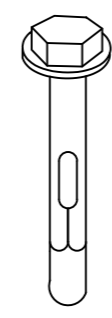
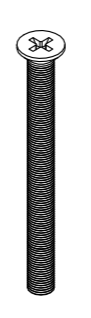


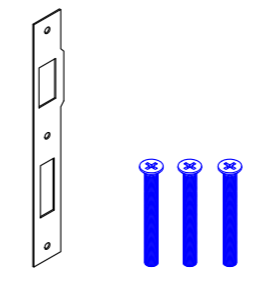
3500*1615.5



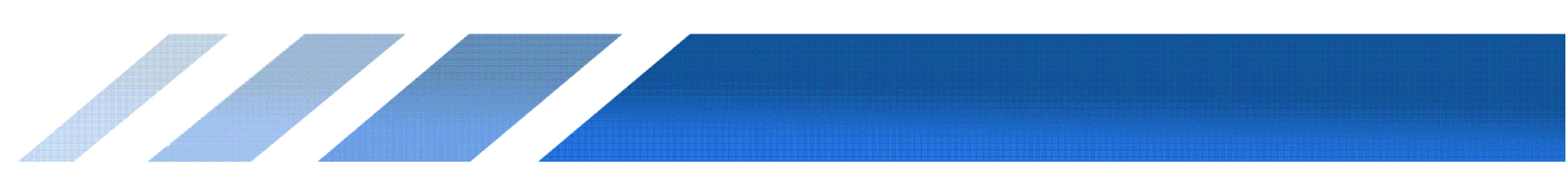


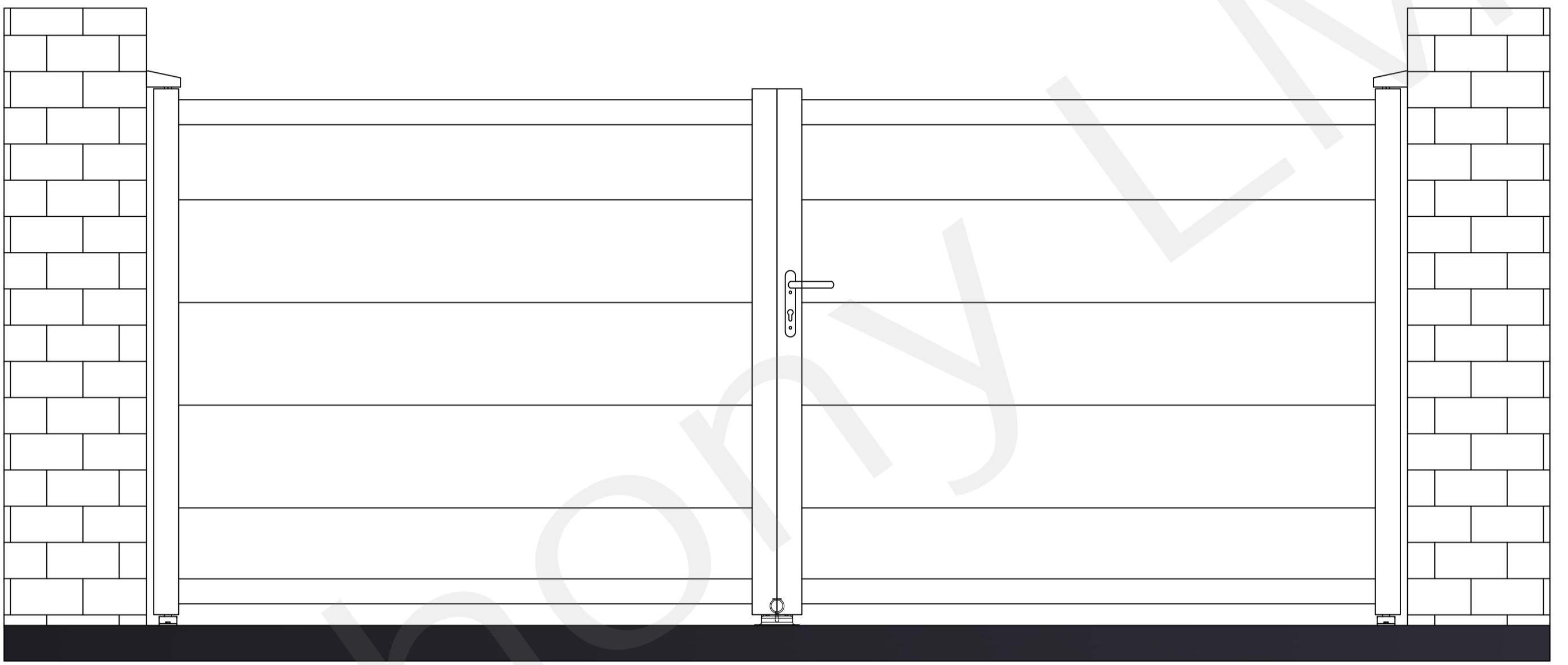
Carton 3/3

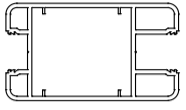
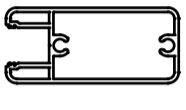
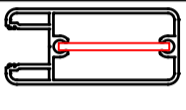
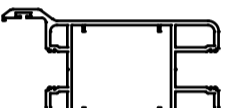
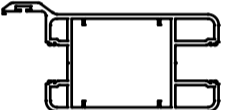
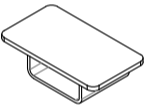
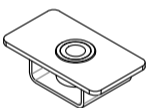
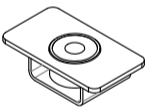

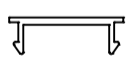


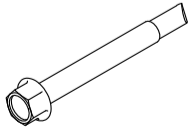
Drawings	Qty
	2
	2
	2
	1
	1
	1
	1

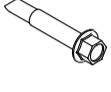

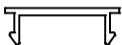
Drawings	Qty
	3
	12
	2
	1
	2
	1


3500*1615.5

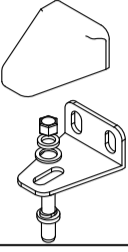
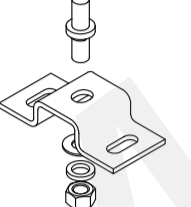
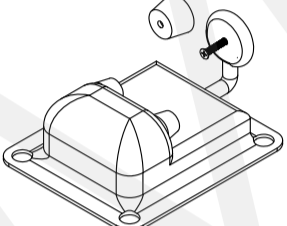
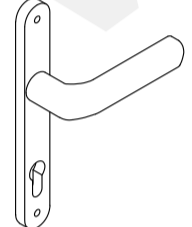
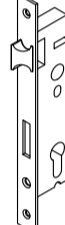
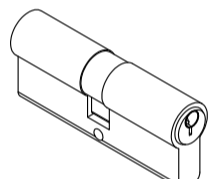
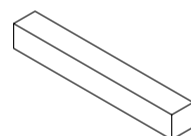
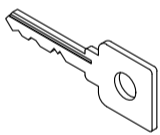
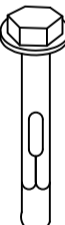



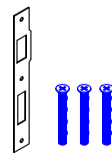


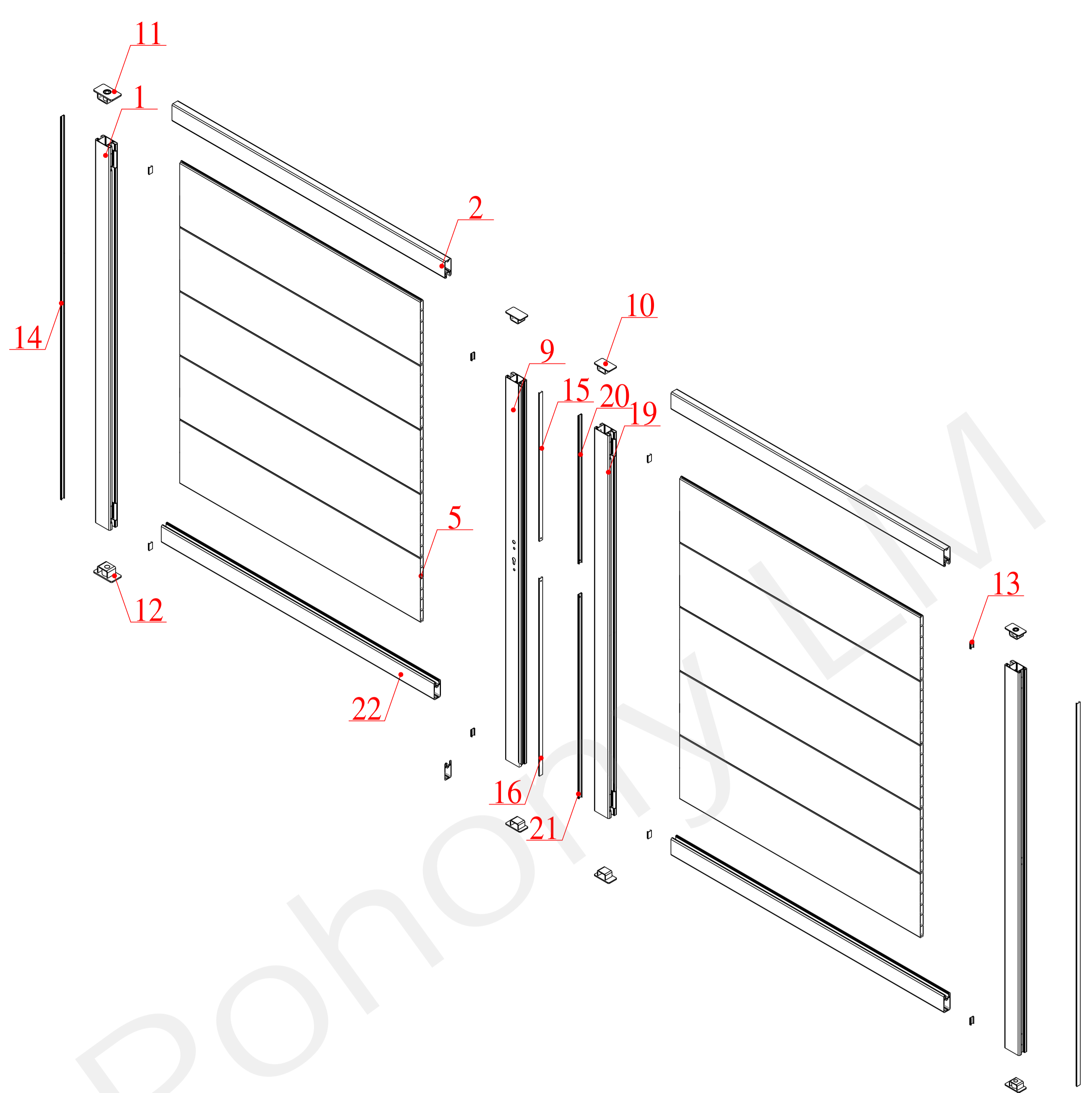


BOX 1/3		
NO.	Section	QTY(pcs)
1		2
2		2
22	 Part in red are reinforced to fix motorization.	2
9		1
19		1
10		4
11		2
12		2
13		8
14		2
15		1
16		1
17	 M6.3*75	16

BOX 1/3		
NO.	Section	QTY (pcs)
18	 M4*16	8
20		1
21		1

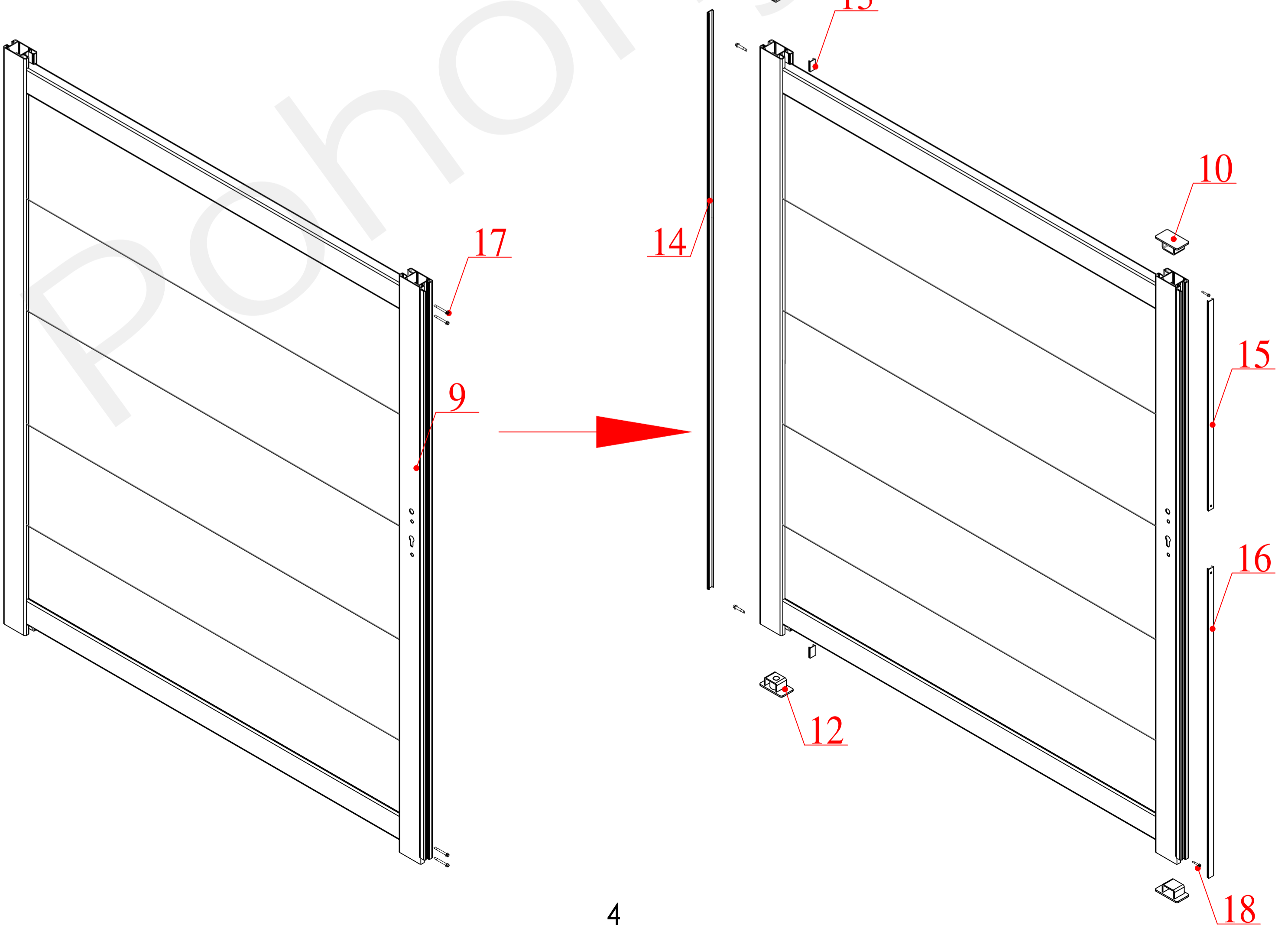
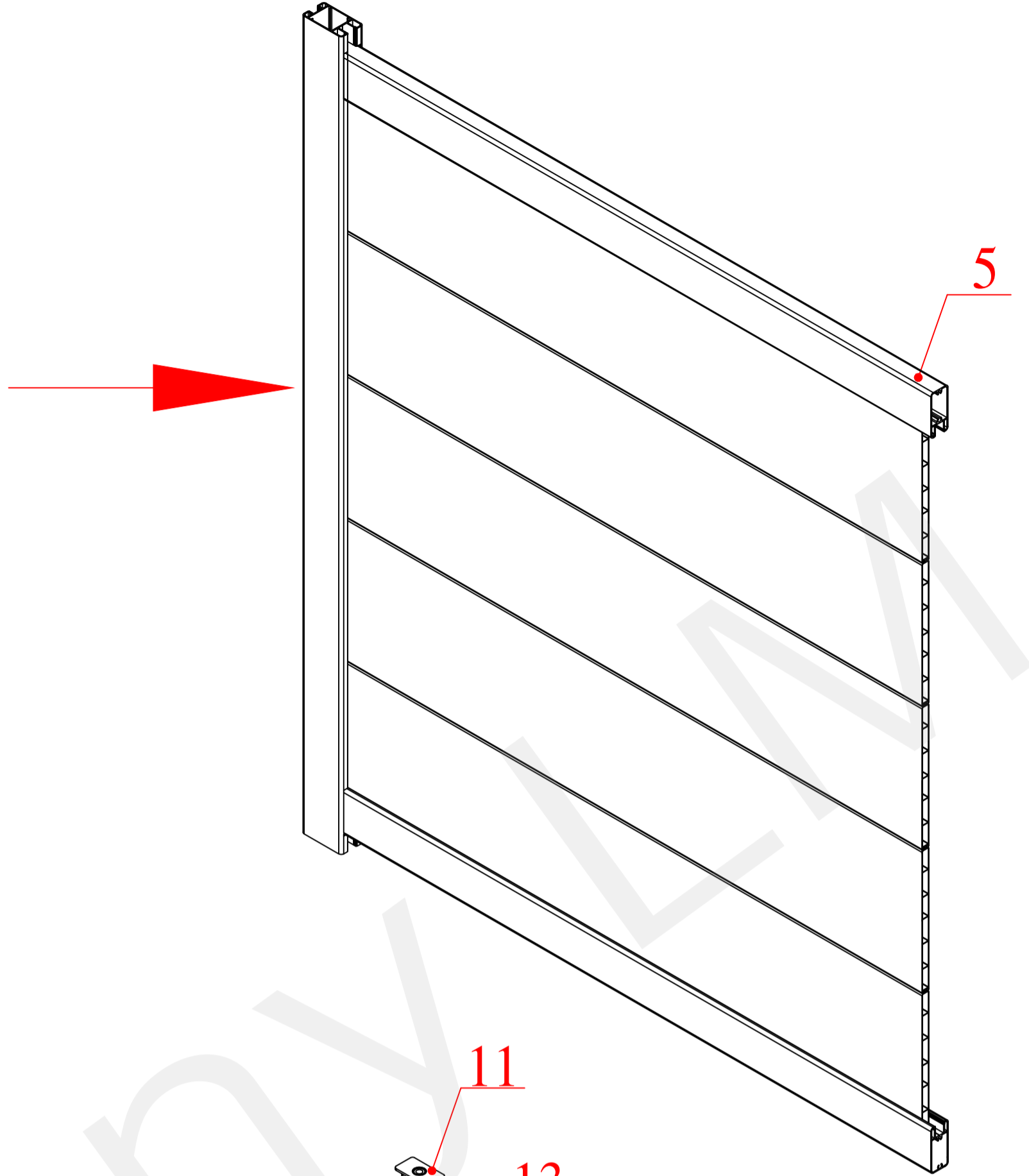
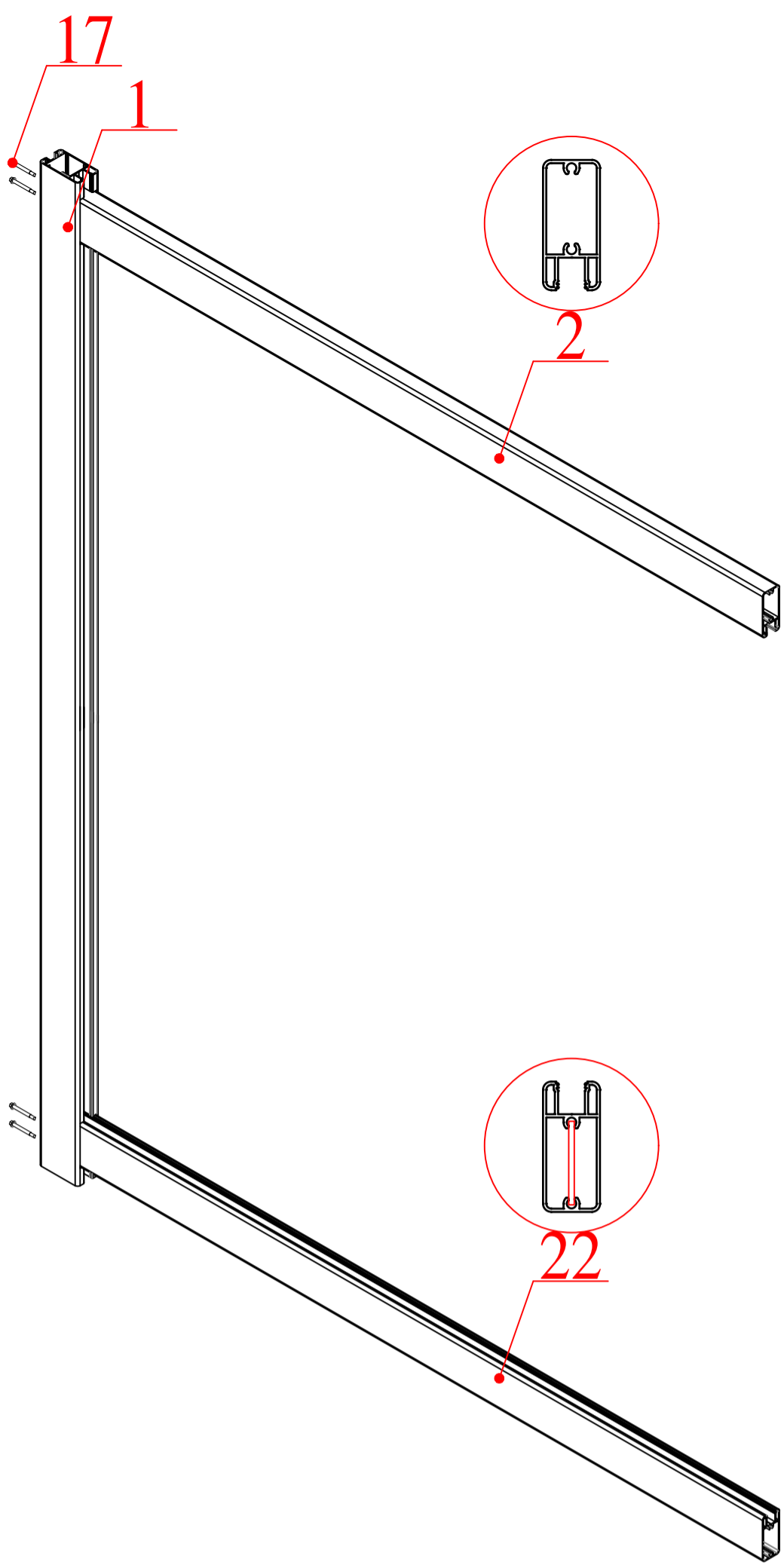
BOX 2/3		
NO.	Section	QTY (pcs)
5		10

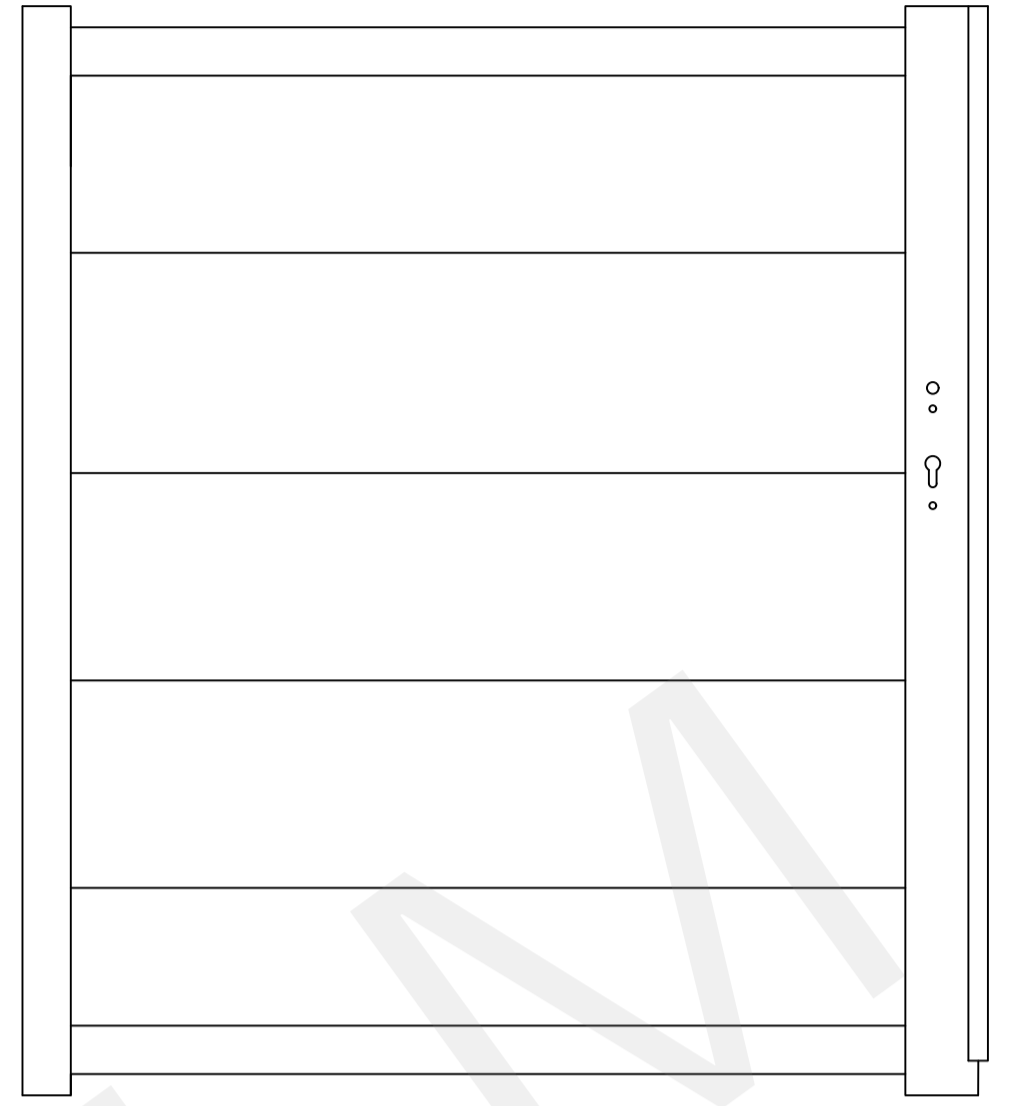
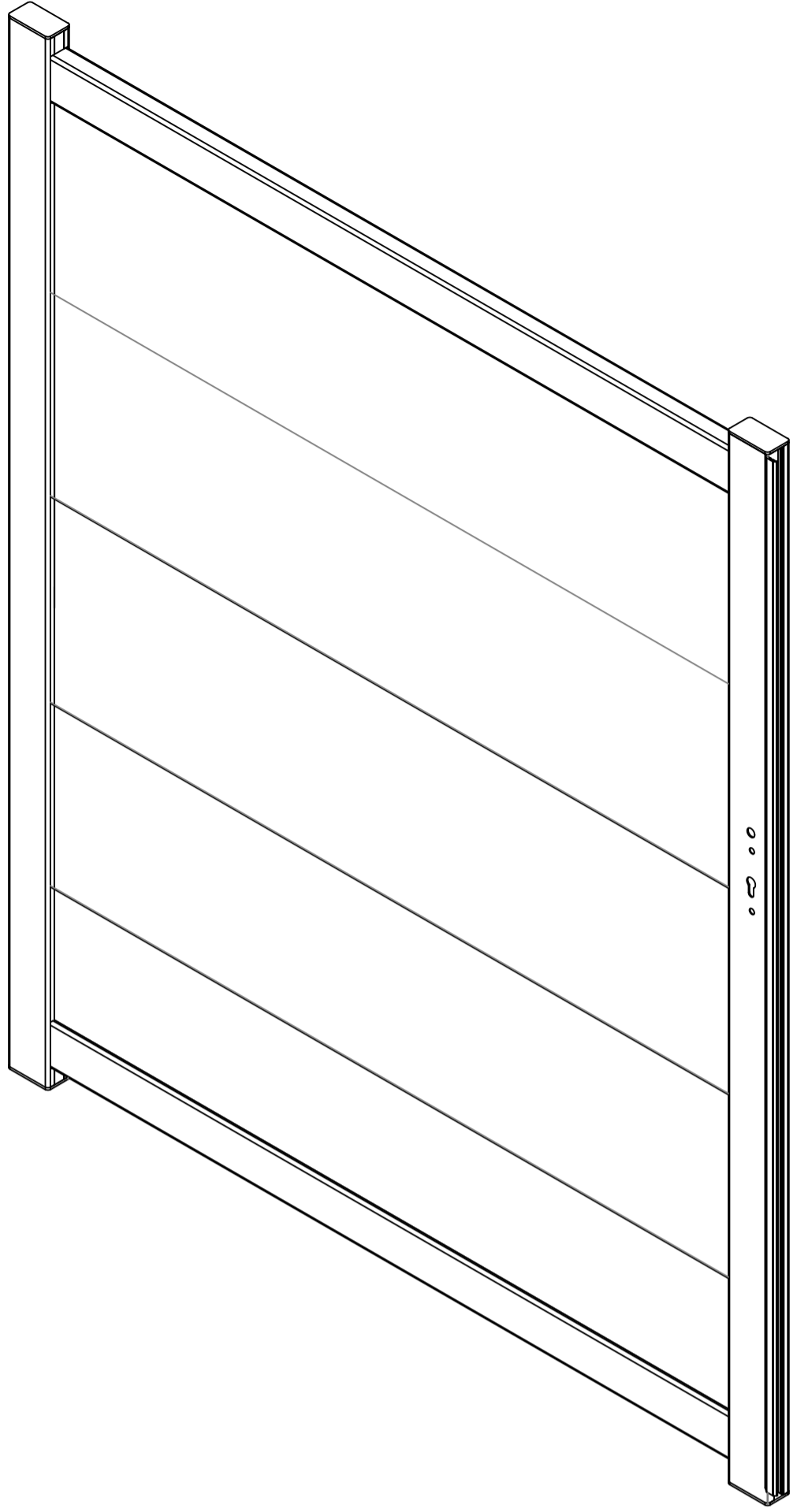
BOX 3/3		
NO.	Section	QTY (pcs)
31		2
32		2
33		1
34		2
35		1
36		1
37		1
38		3
40		12
41		2
42		1
43		2
44		1



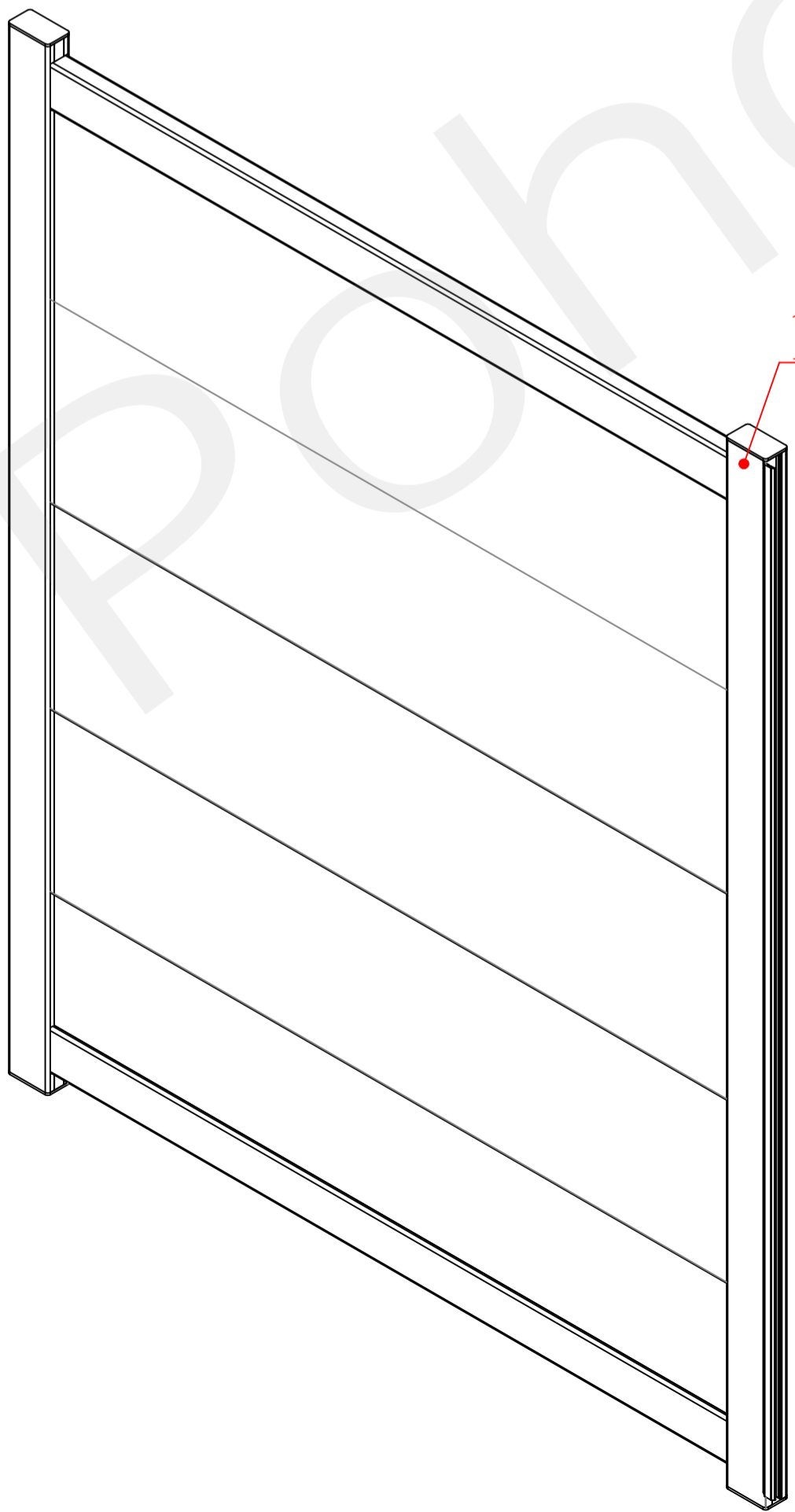
NO.	1	2	22	5	9	10	11	12	13	14
Section										

NO.	15	16	17	18	19	20	21
Section							





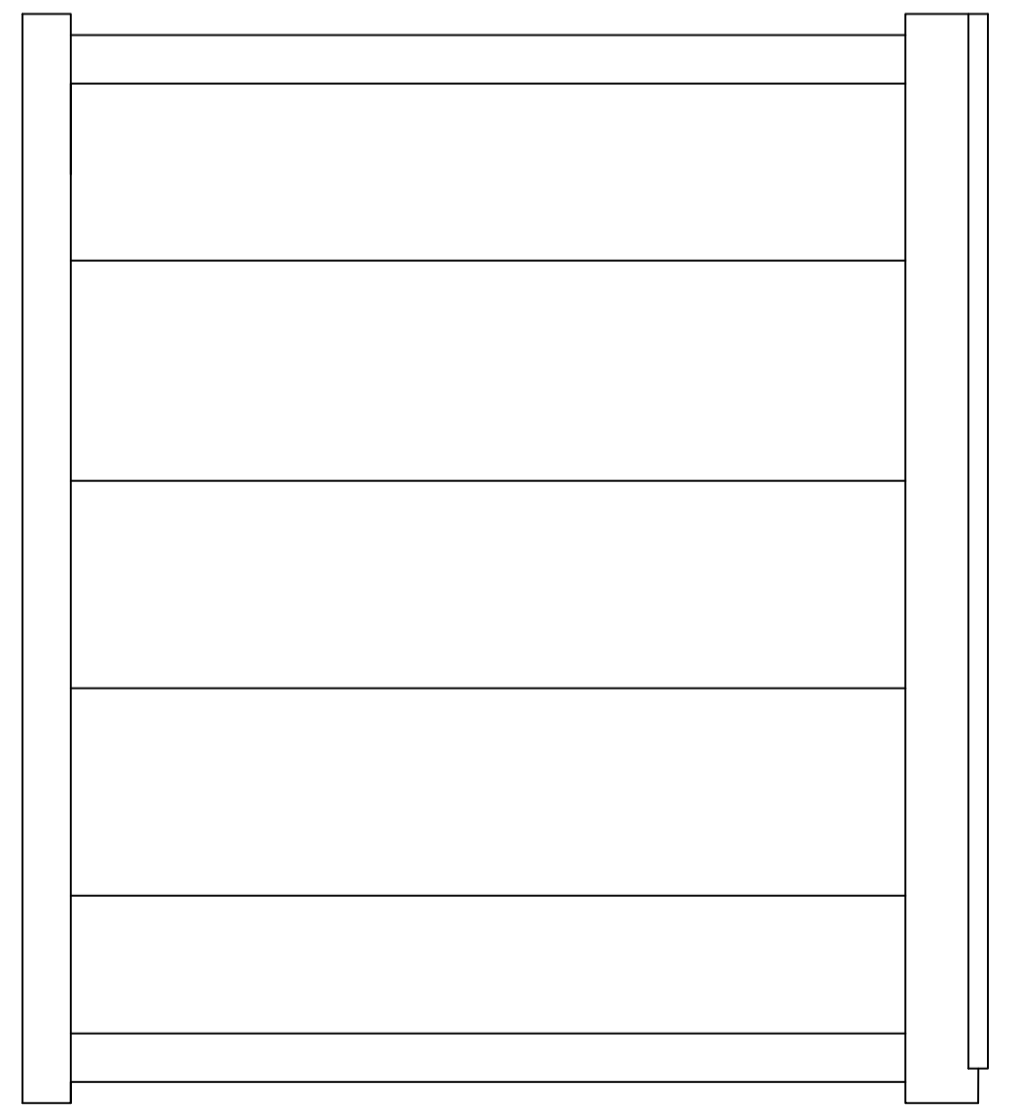
[B]



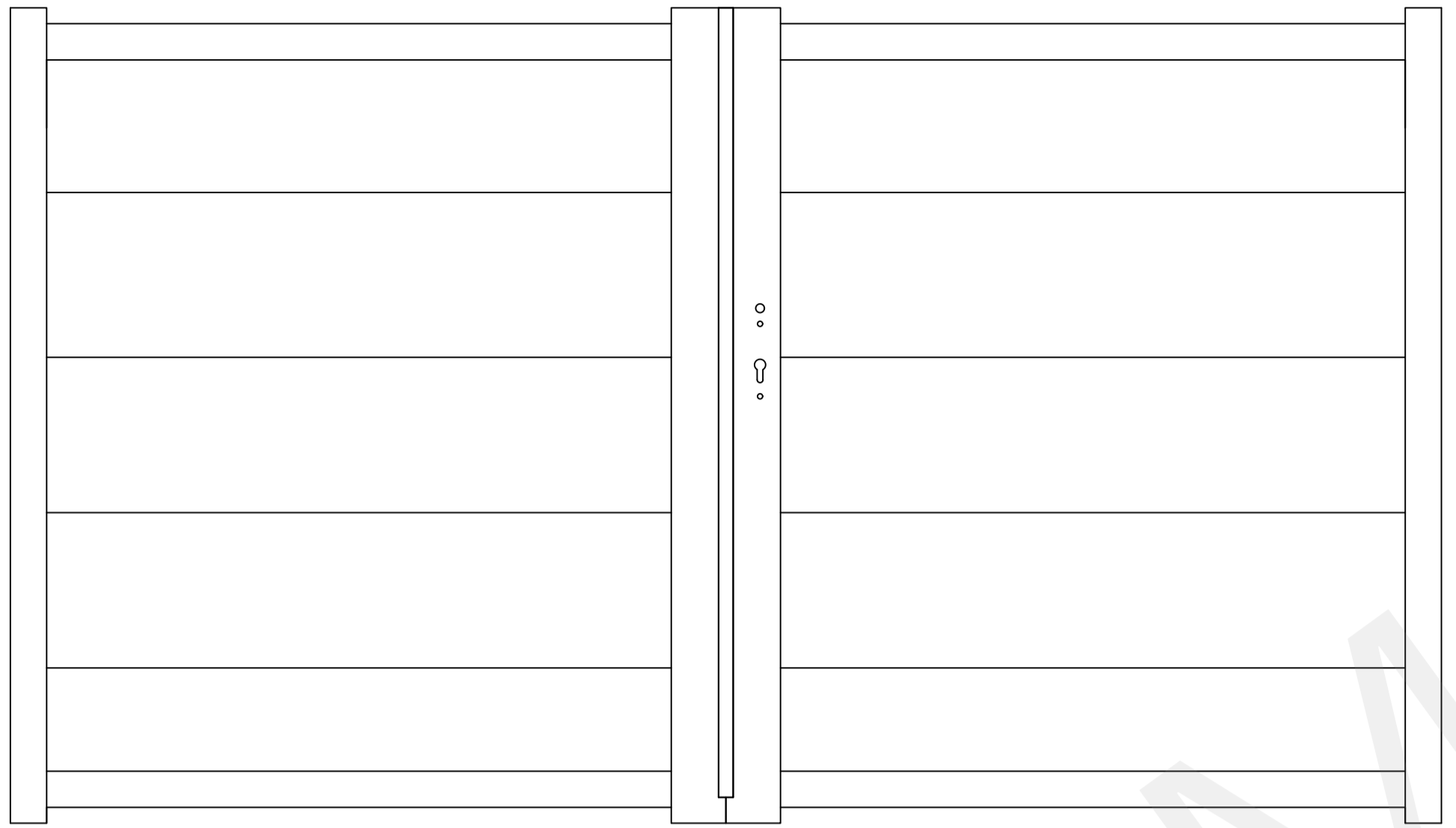
19

20

21

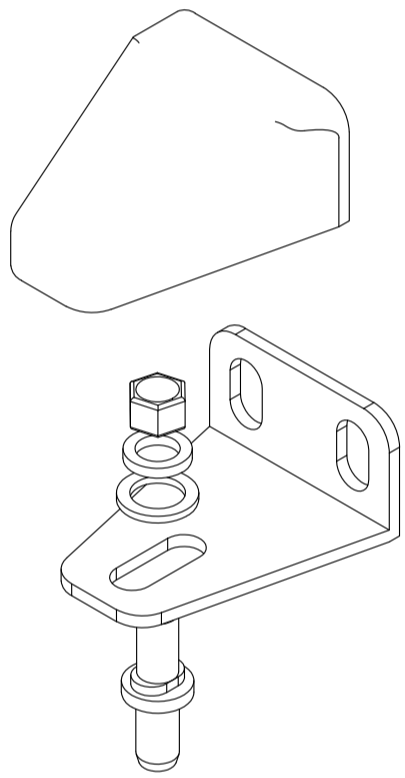


[A]

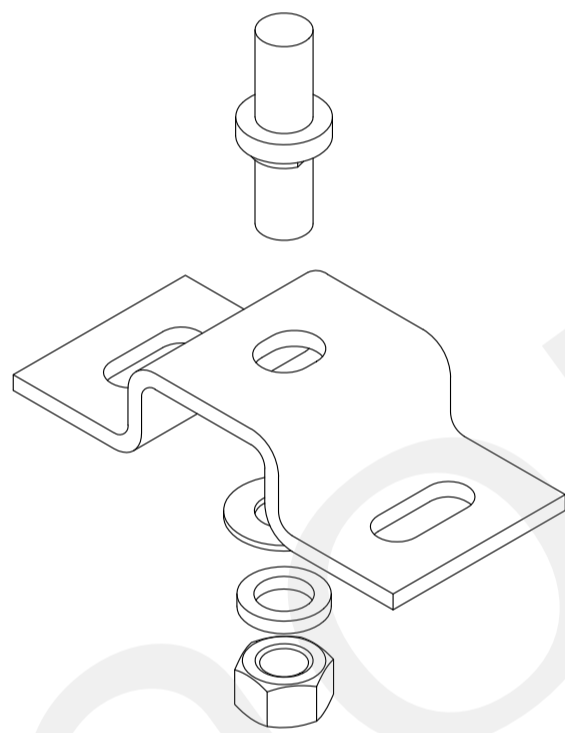


[A]*1

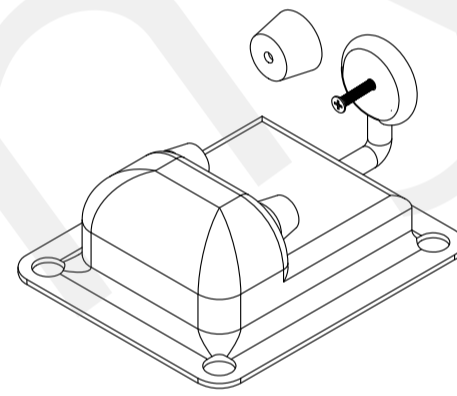
[B]*1



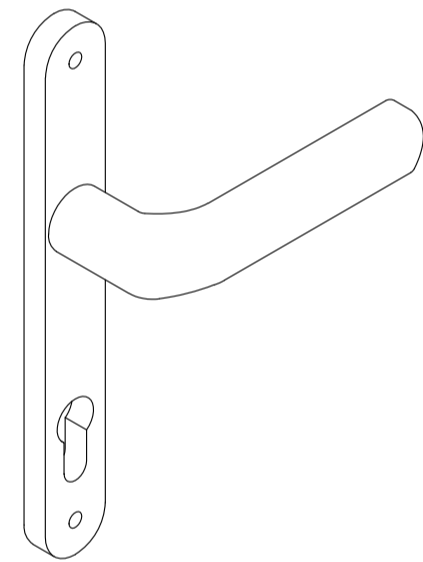
31*2



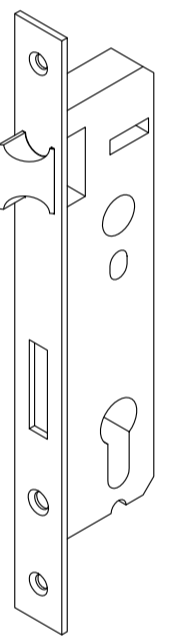
32*2



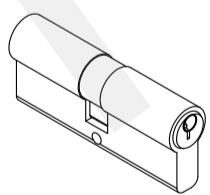
33*1



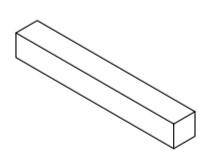
34*2



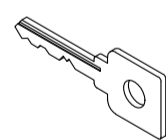
35*1



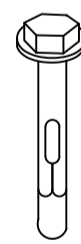
36*1



37*1



38*3



40*12



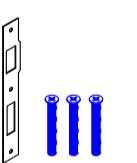
41*2



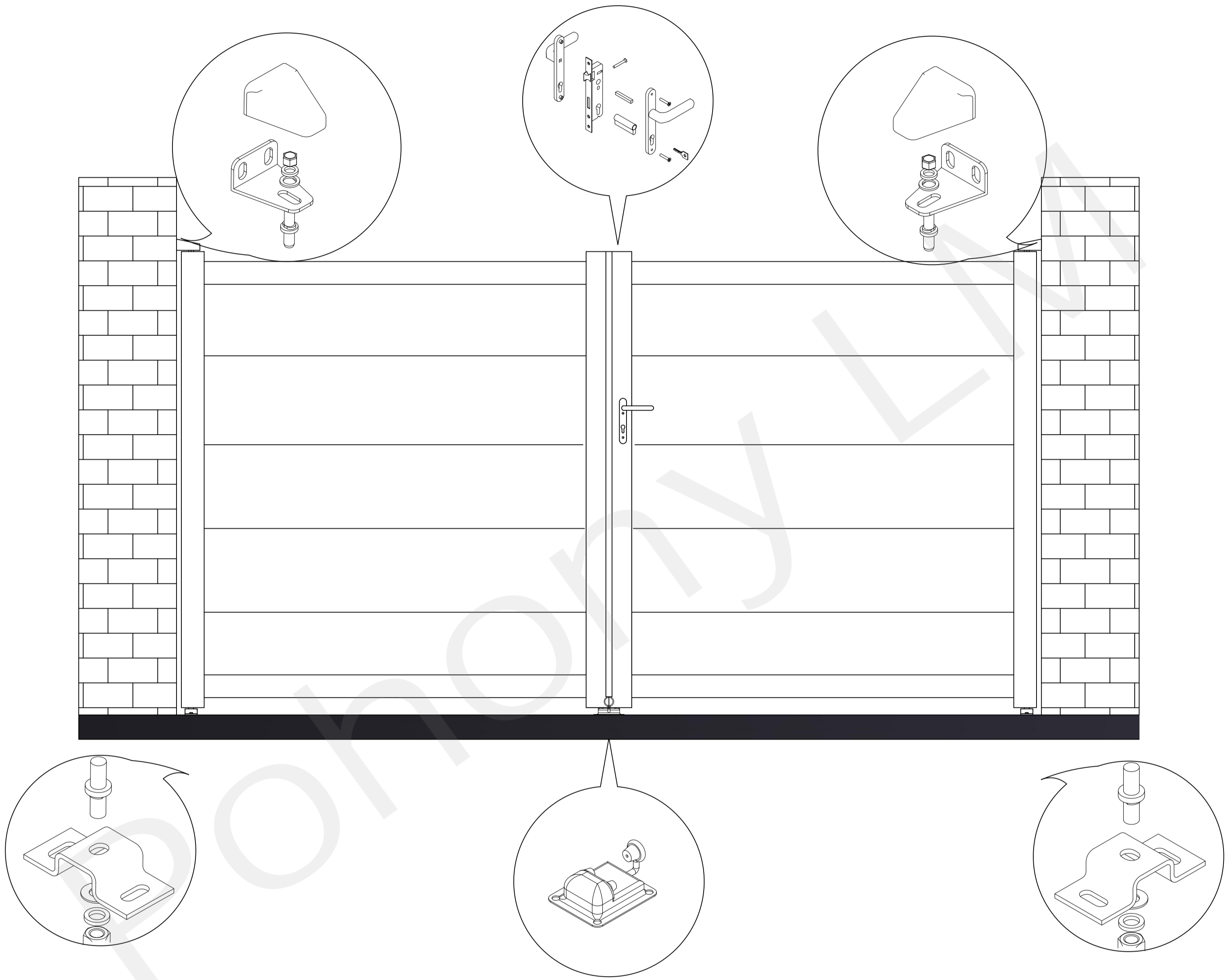
42*1

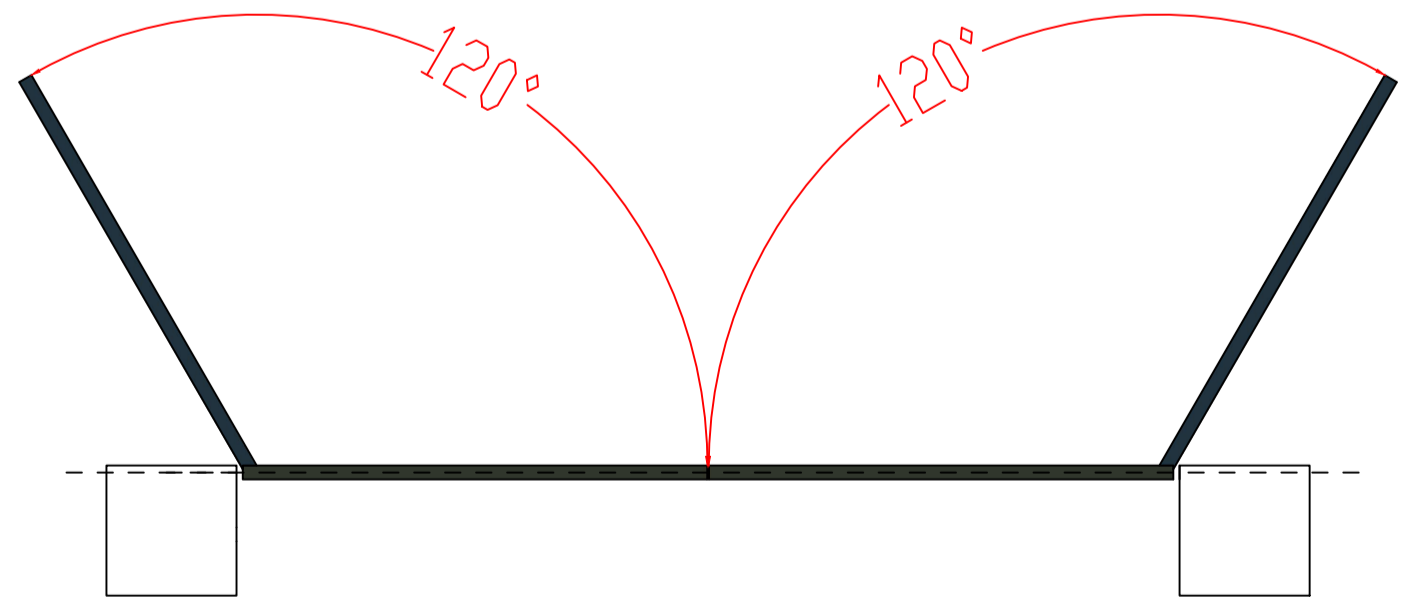
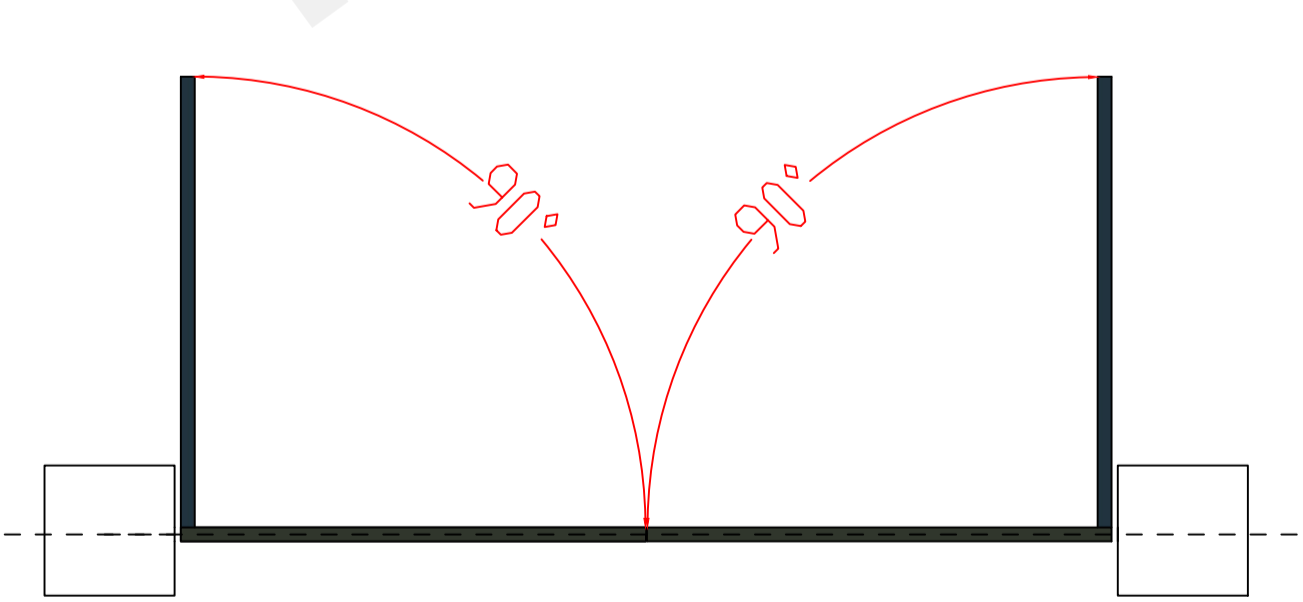
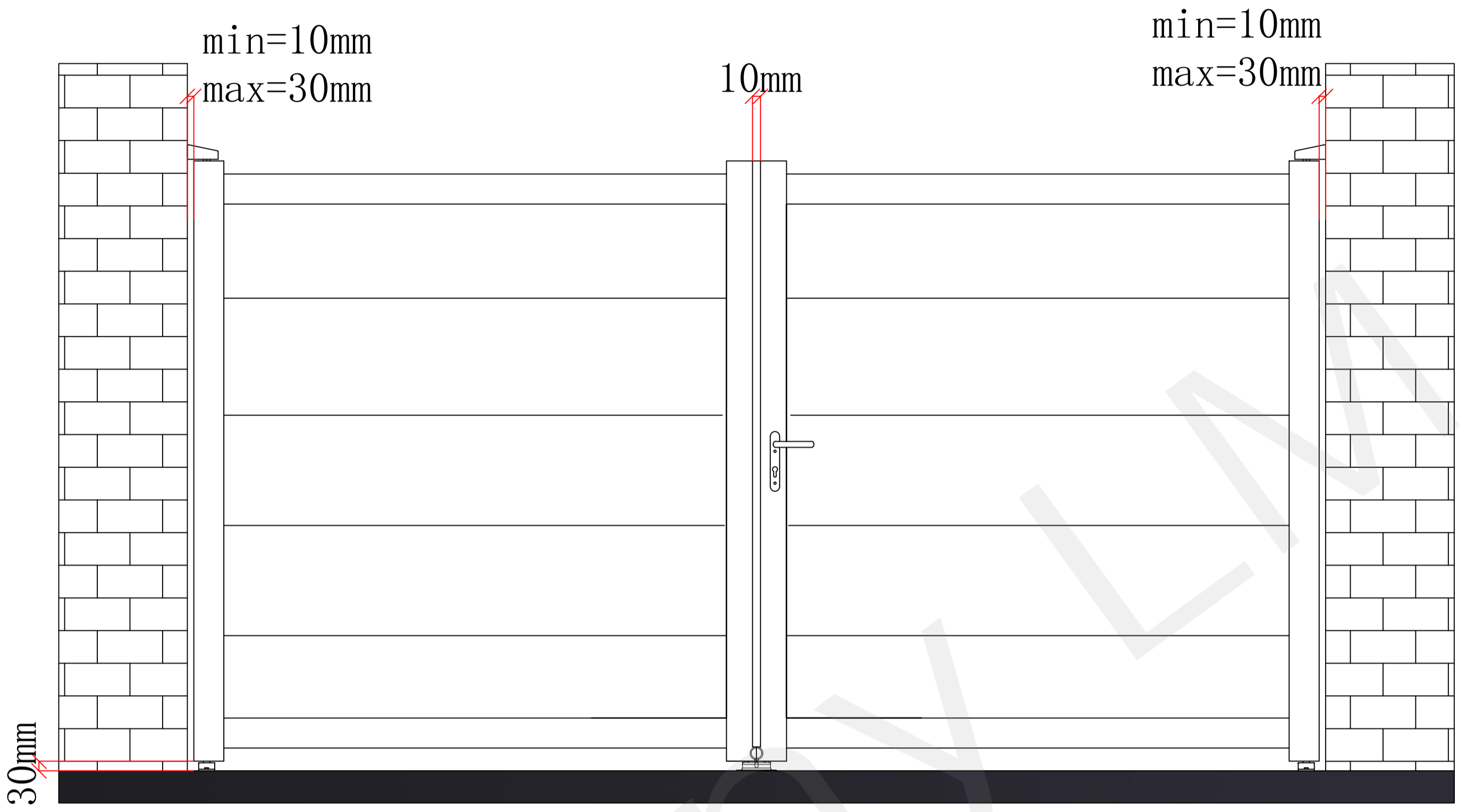


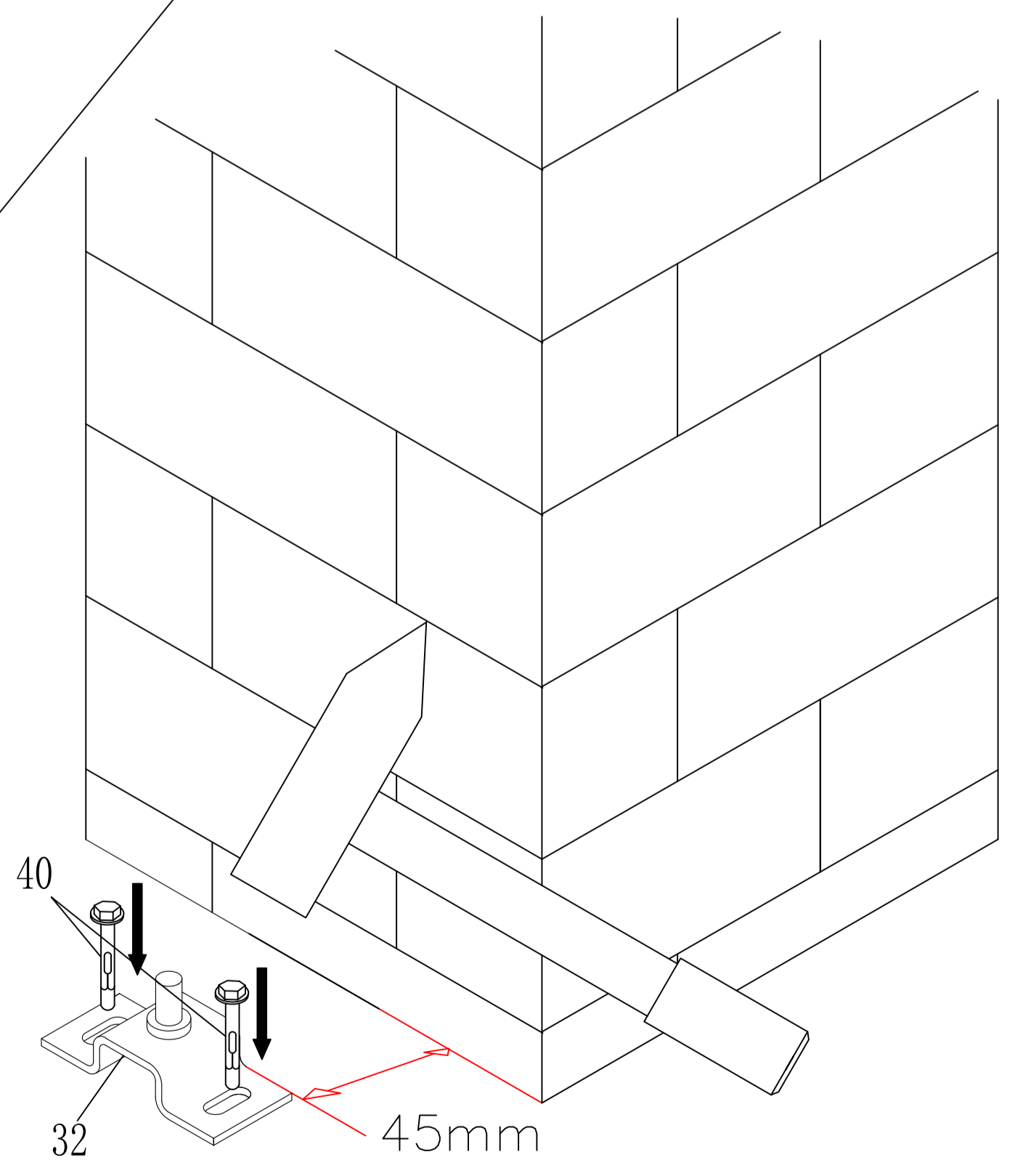
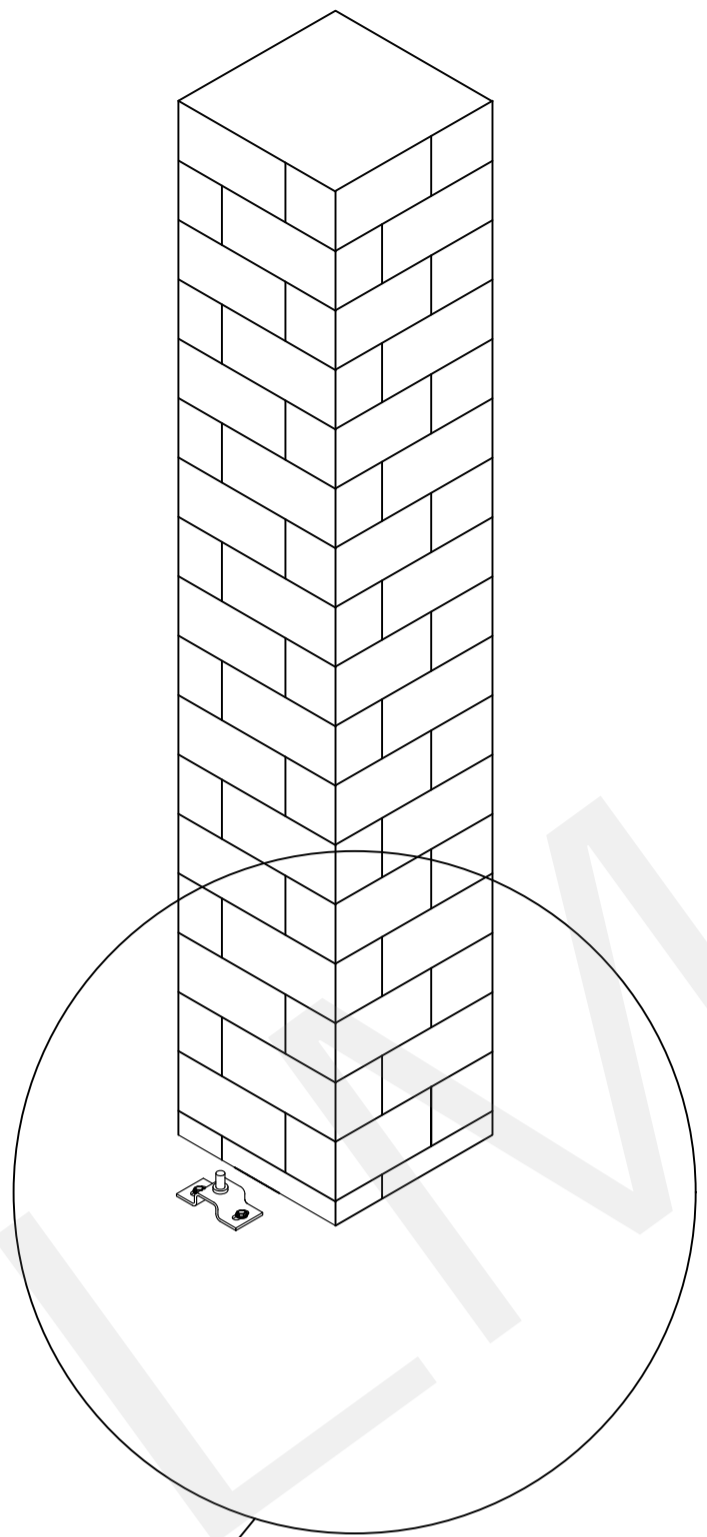
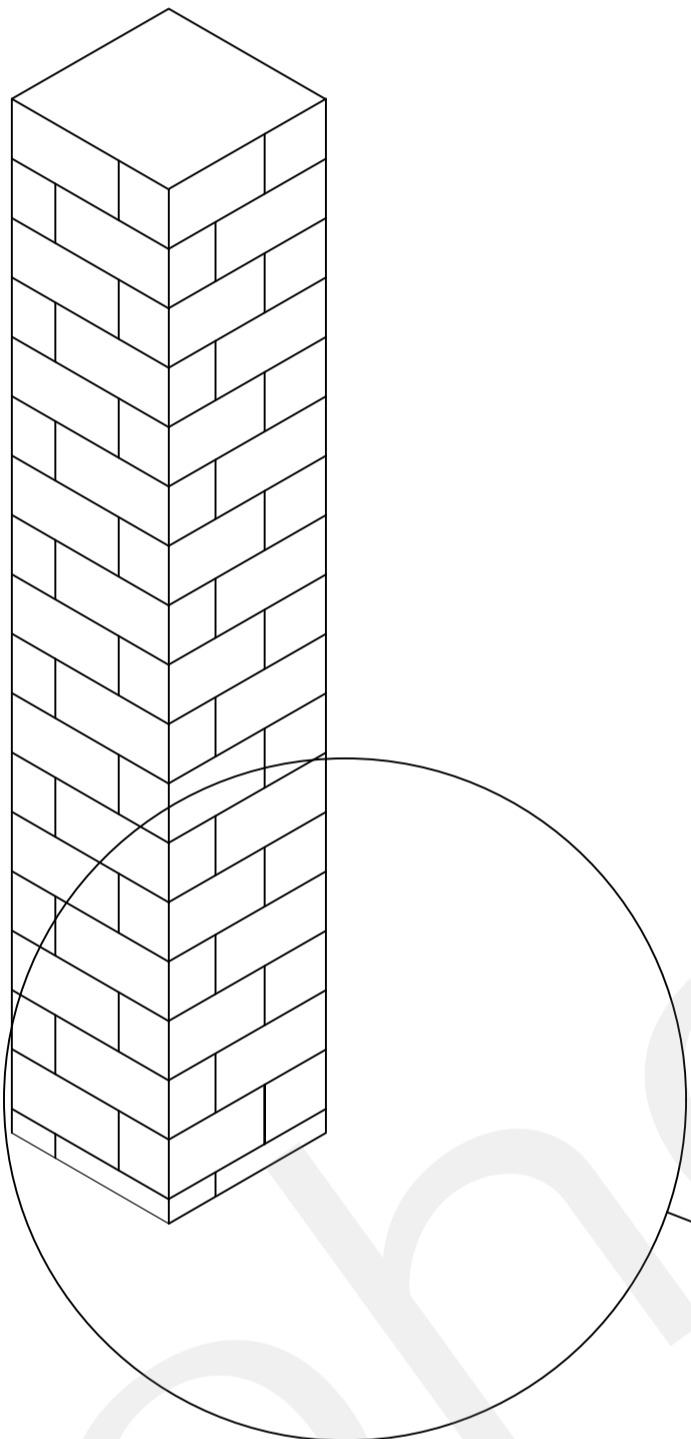
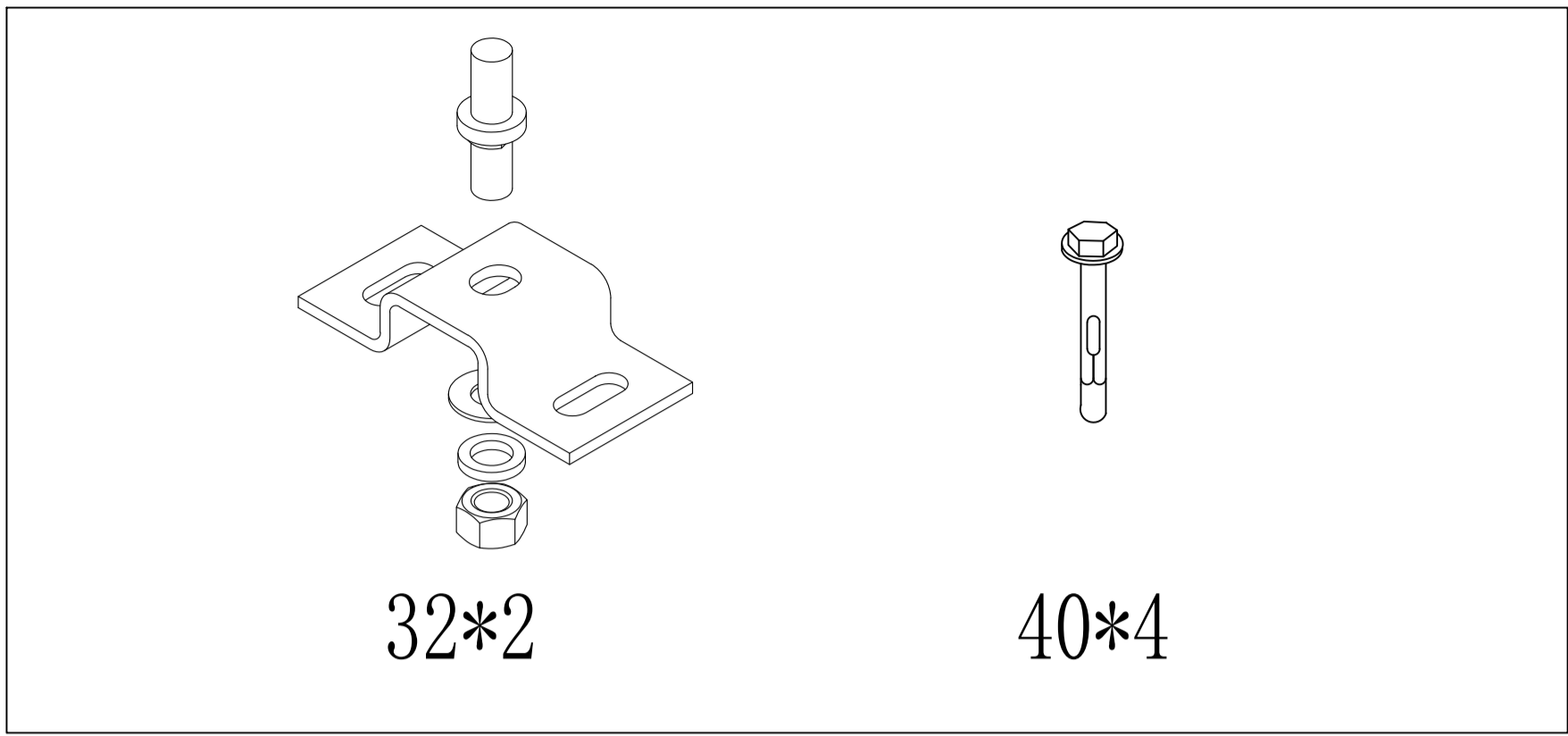
43*2

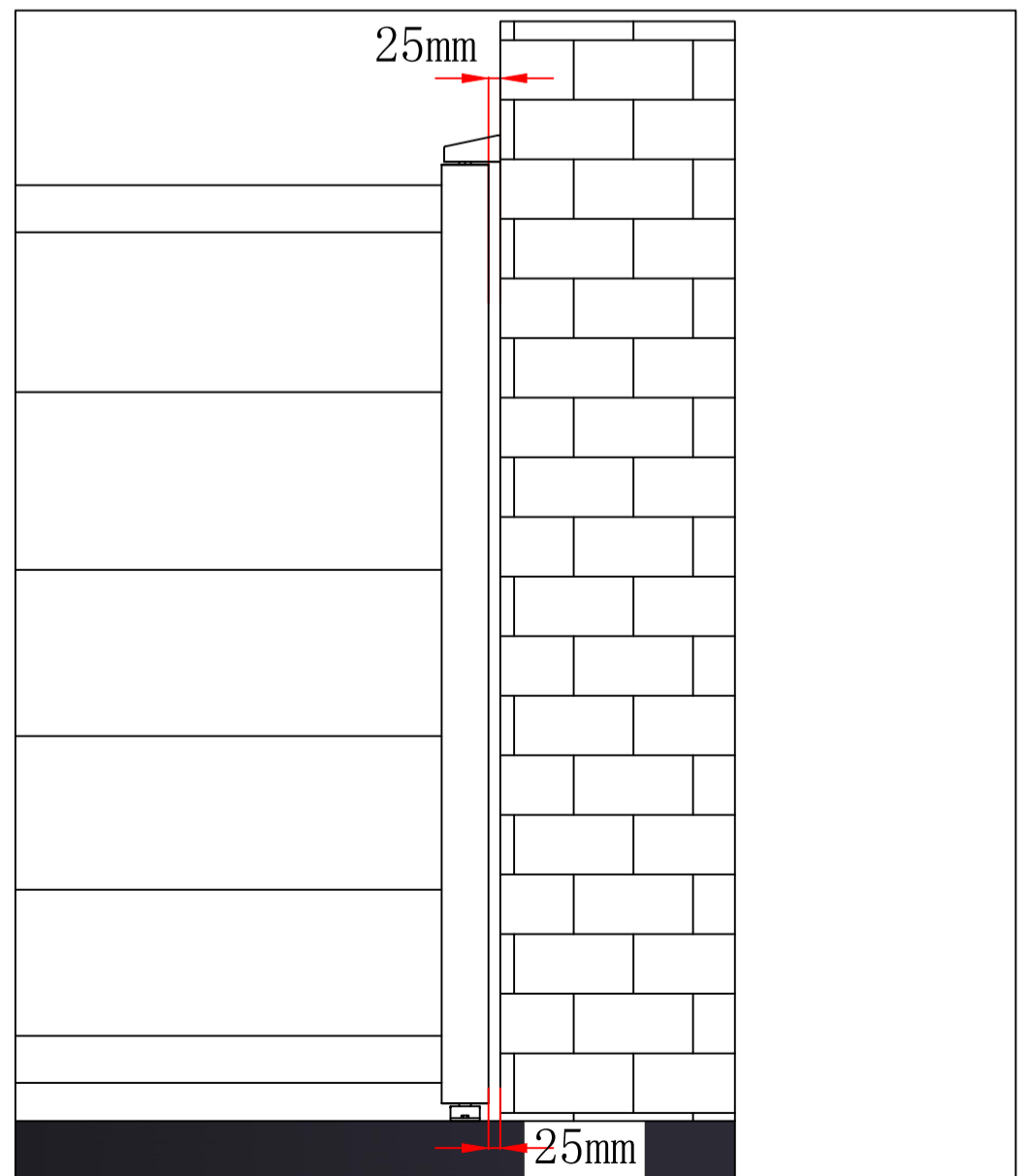
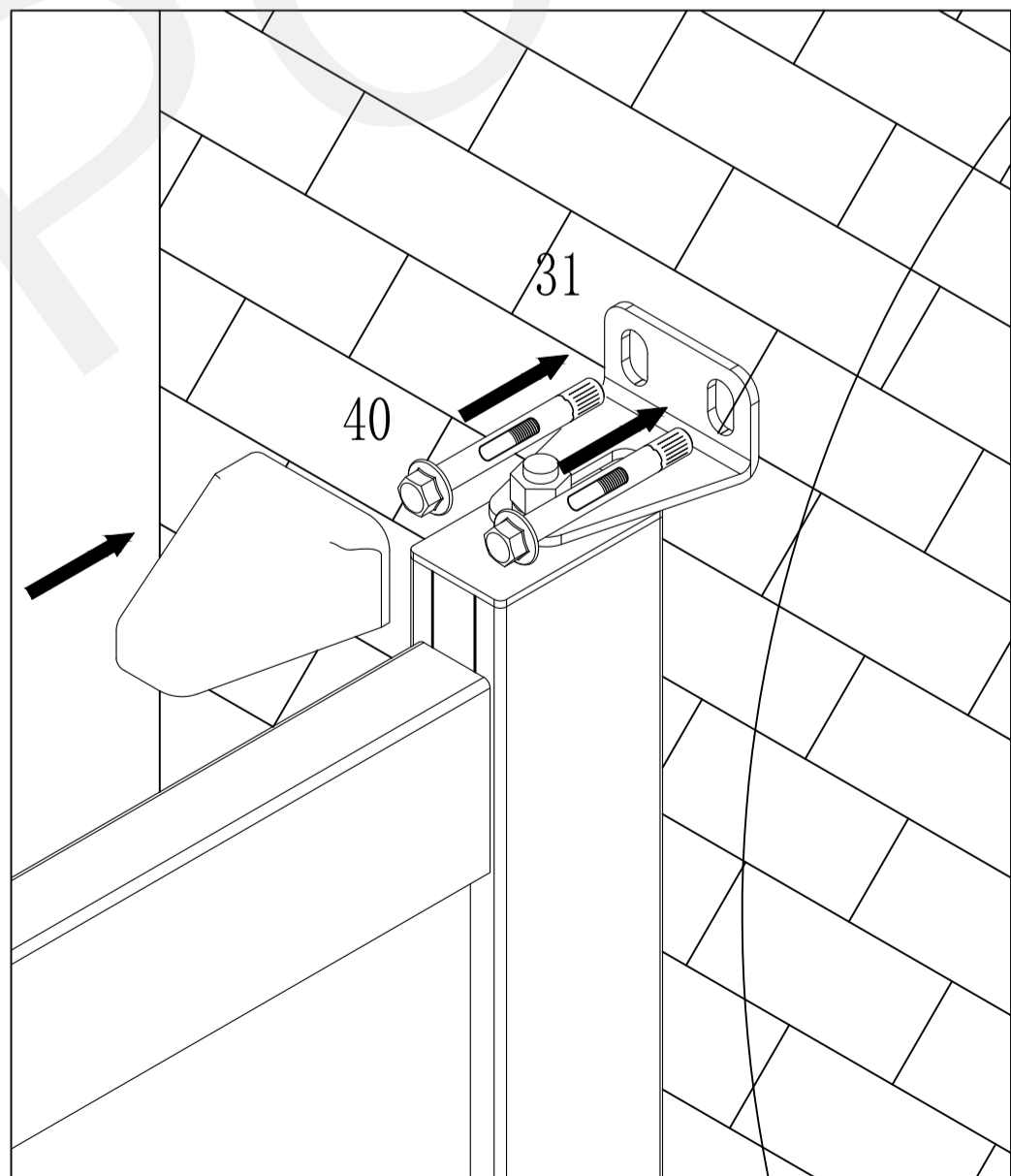
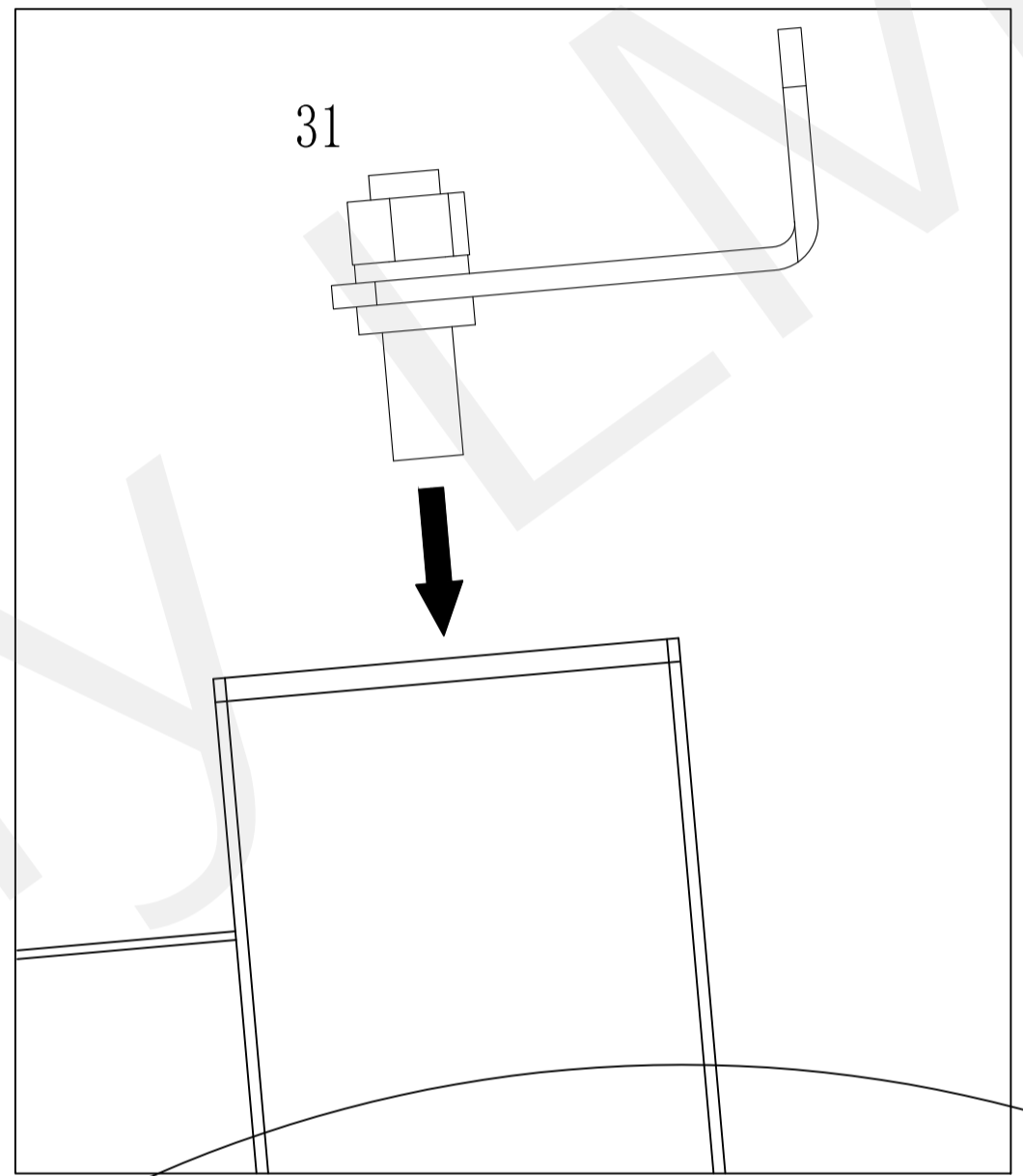
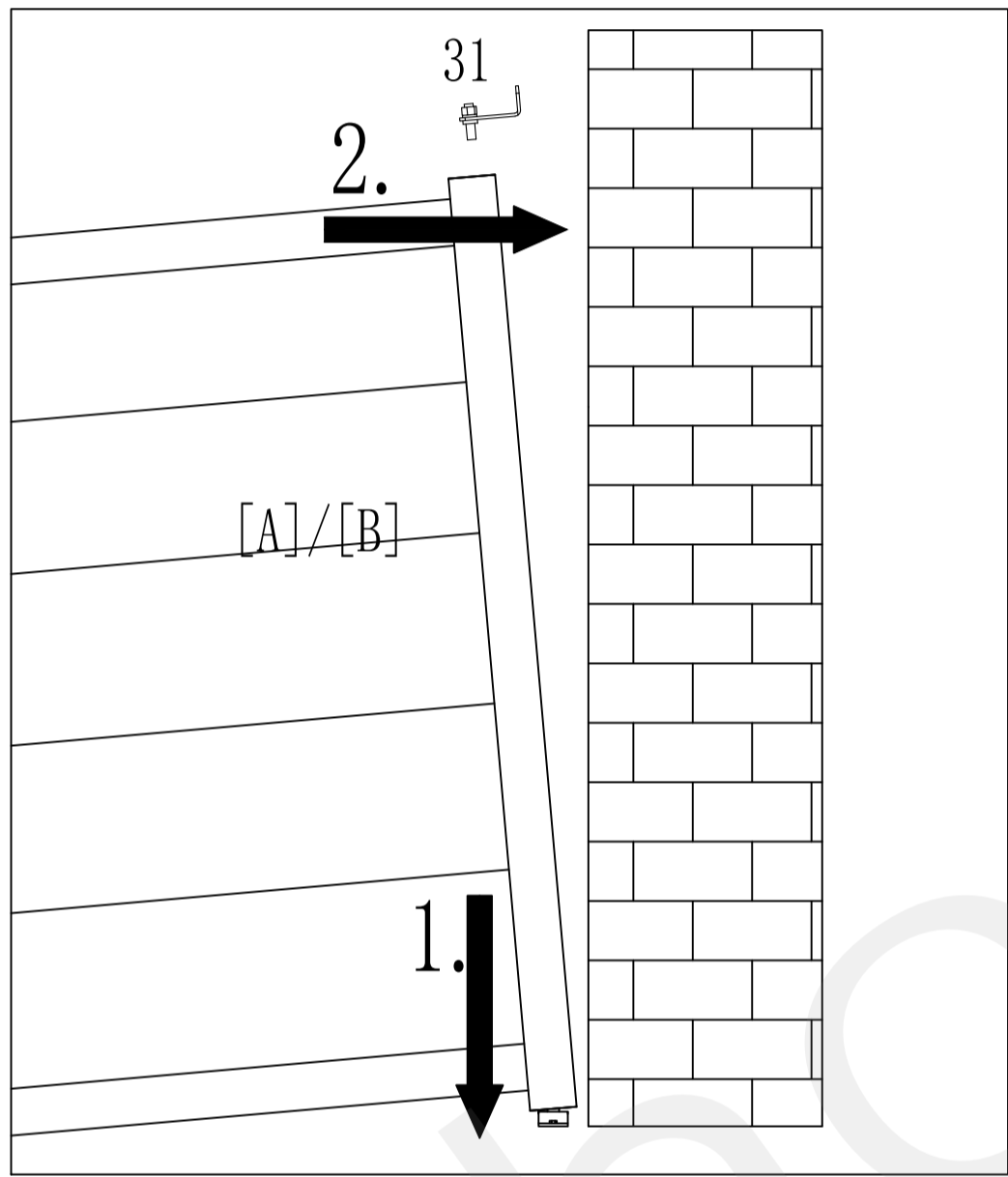
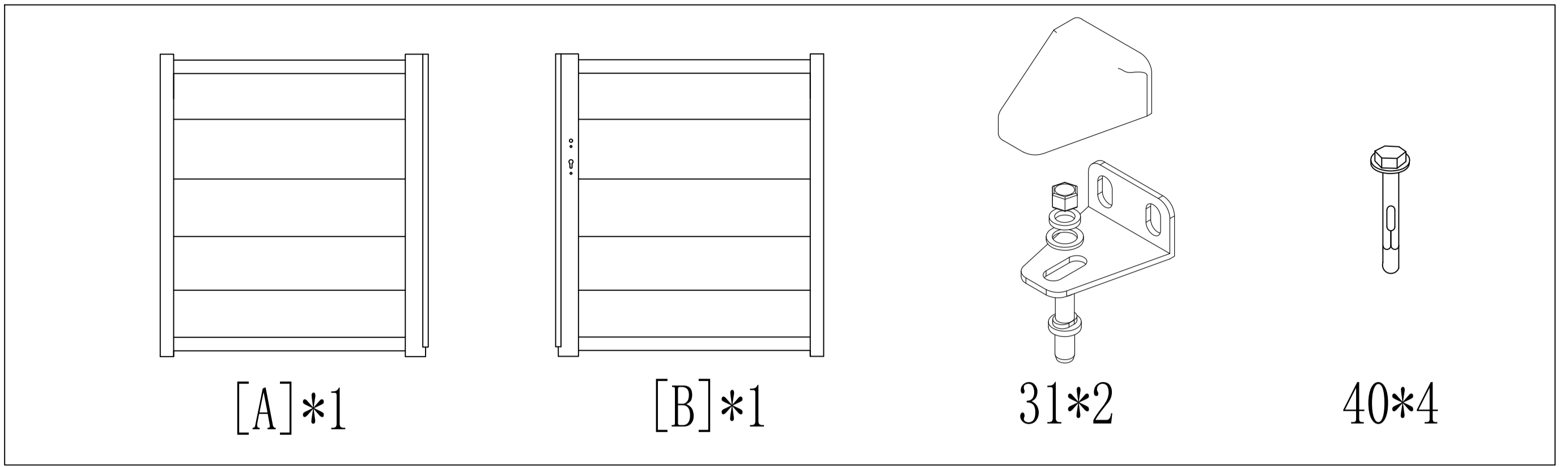


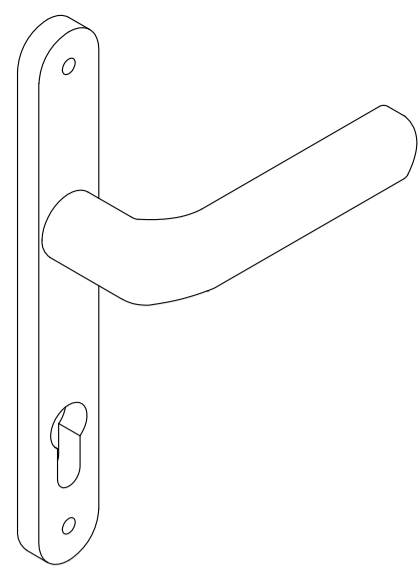
44*1



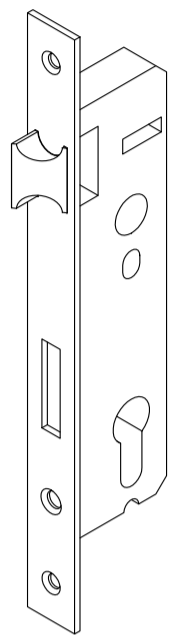




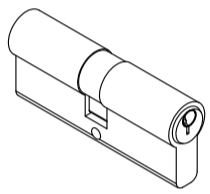




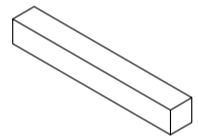
34*2



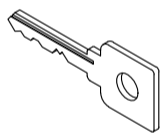
35*1



36*1



37*1



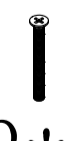
38*3



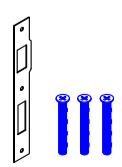
41*2



42*1



43*2



44*1

