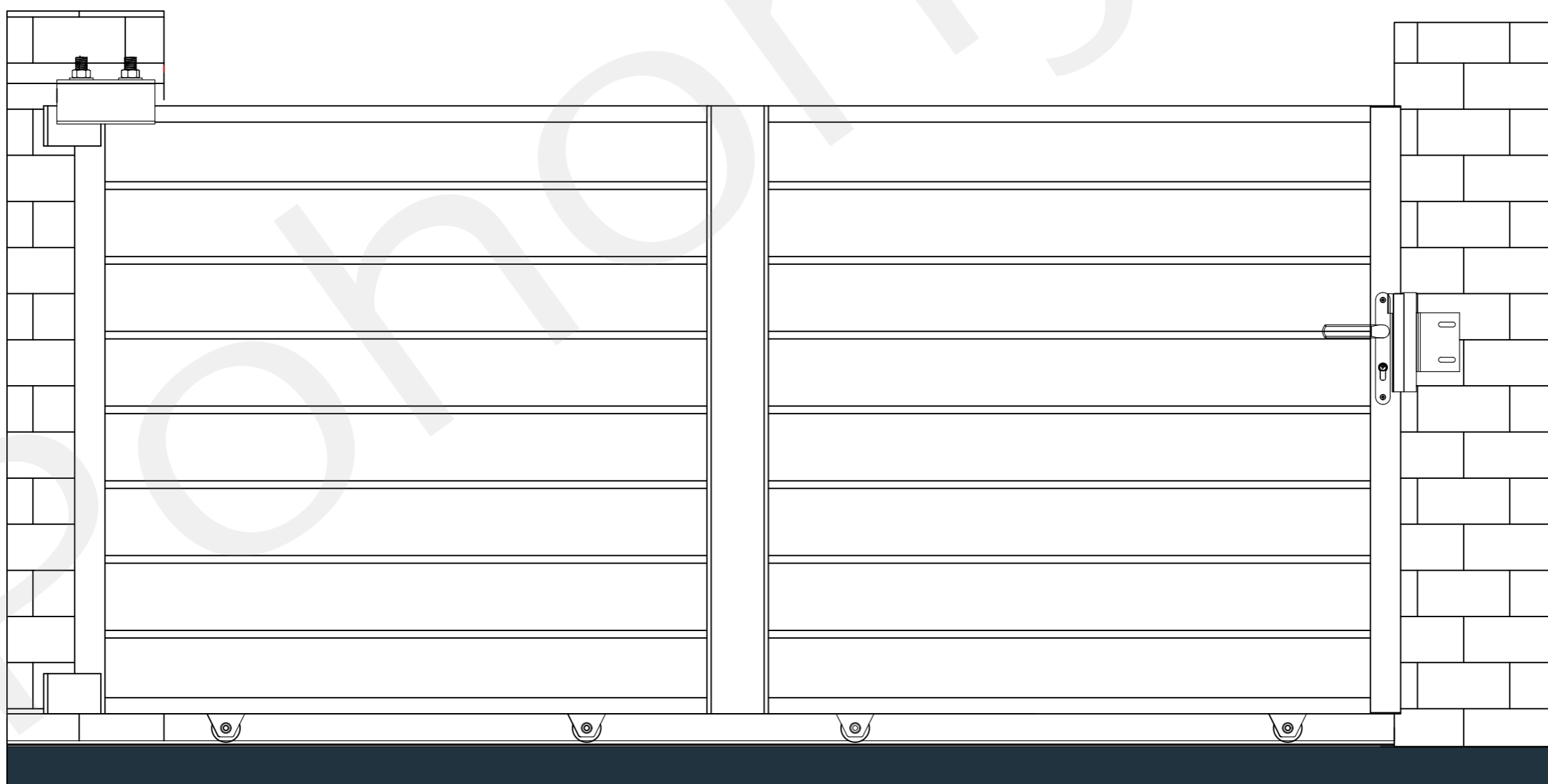
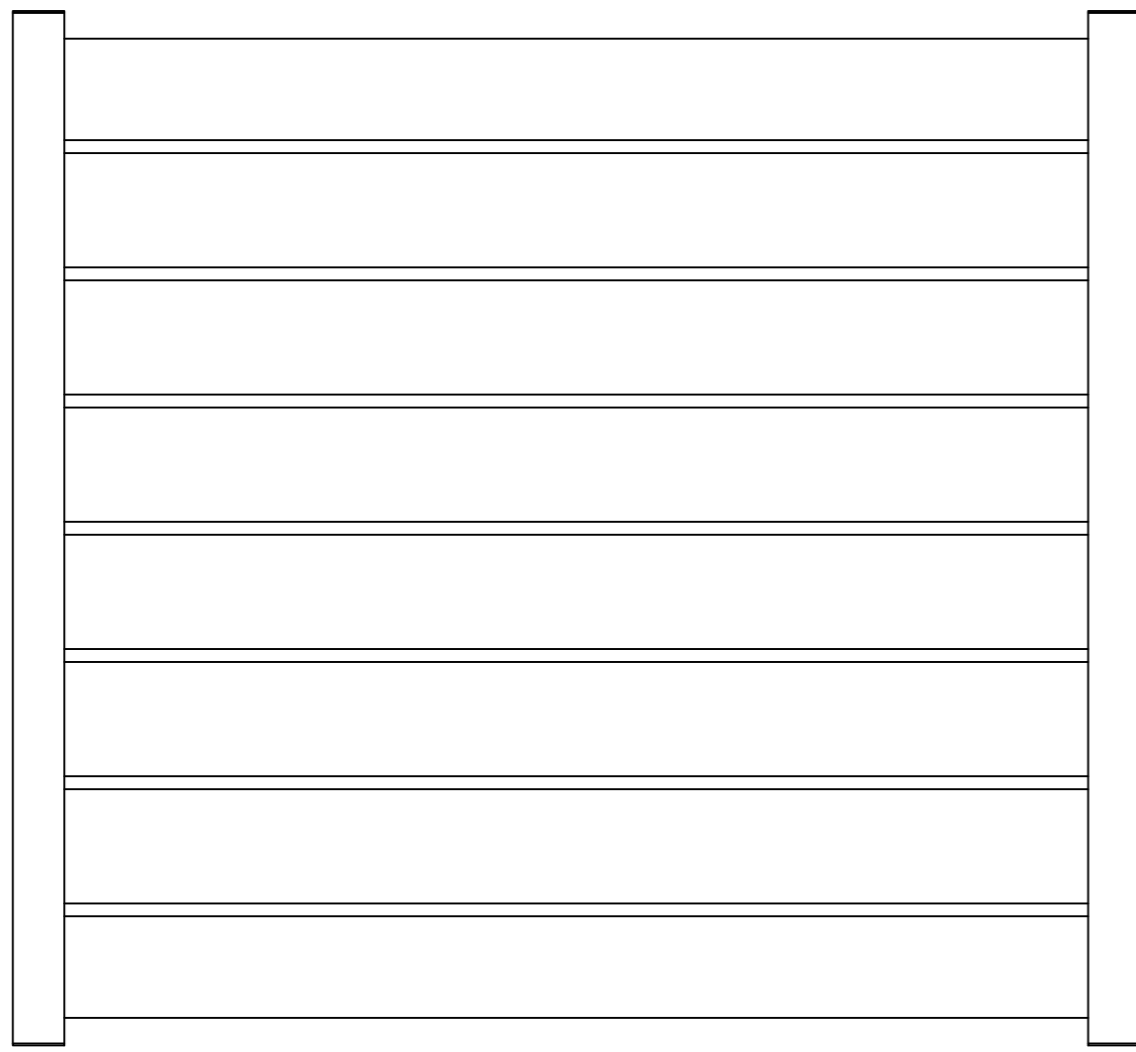


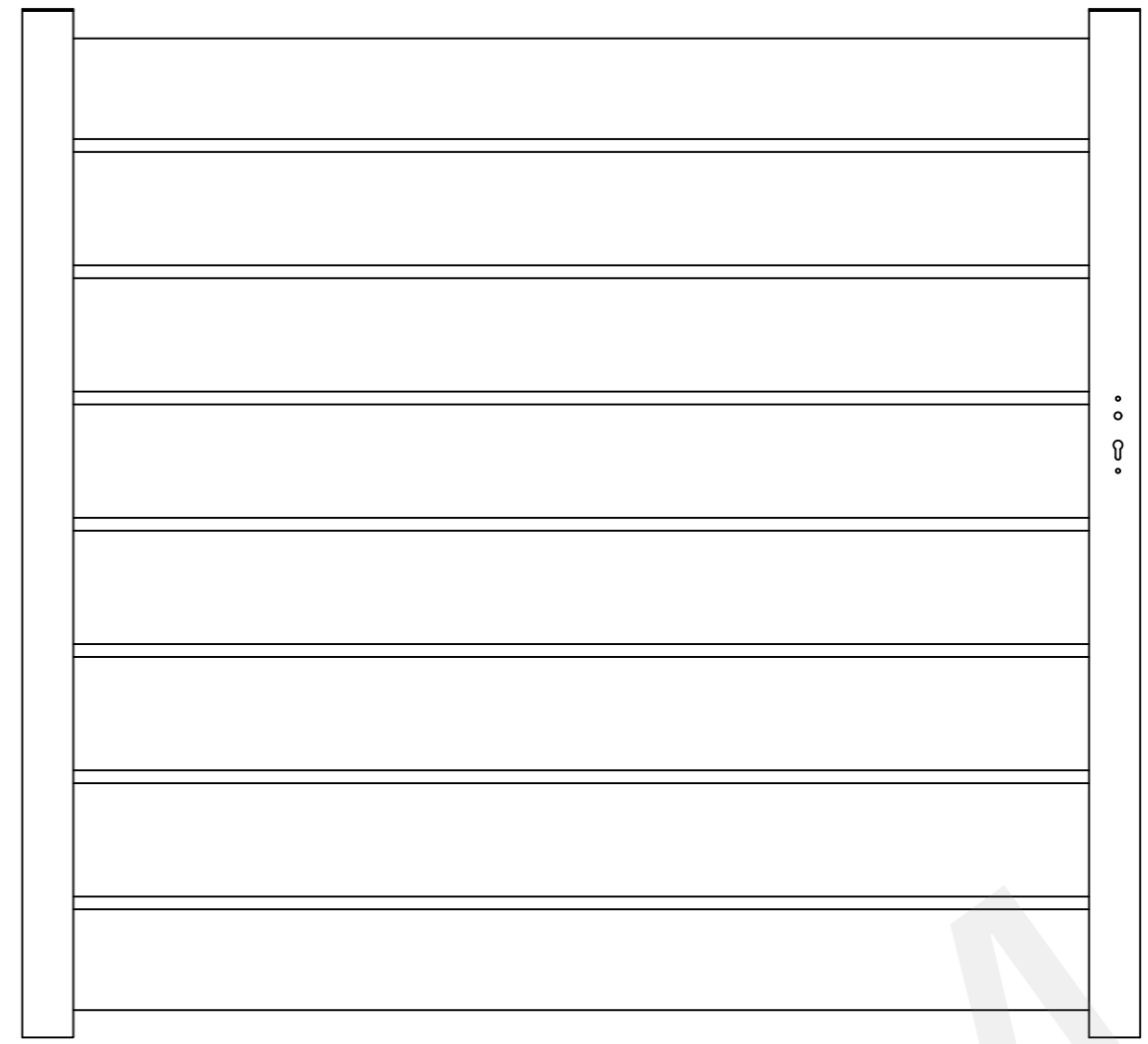


PEDESTRIAN GATE





[B]*1



[A]*1

NO.	3A	3B	4	5	6
SECTION					
QTY	1	3	2	1	2

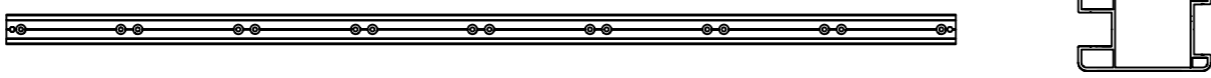
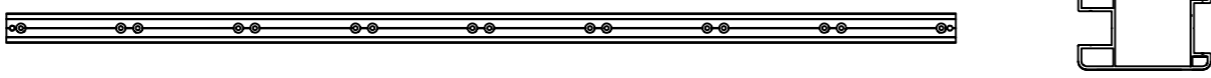
NO.	7	8	9A	9B	10
SECTION					
QTY	12	6	2	2	1

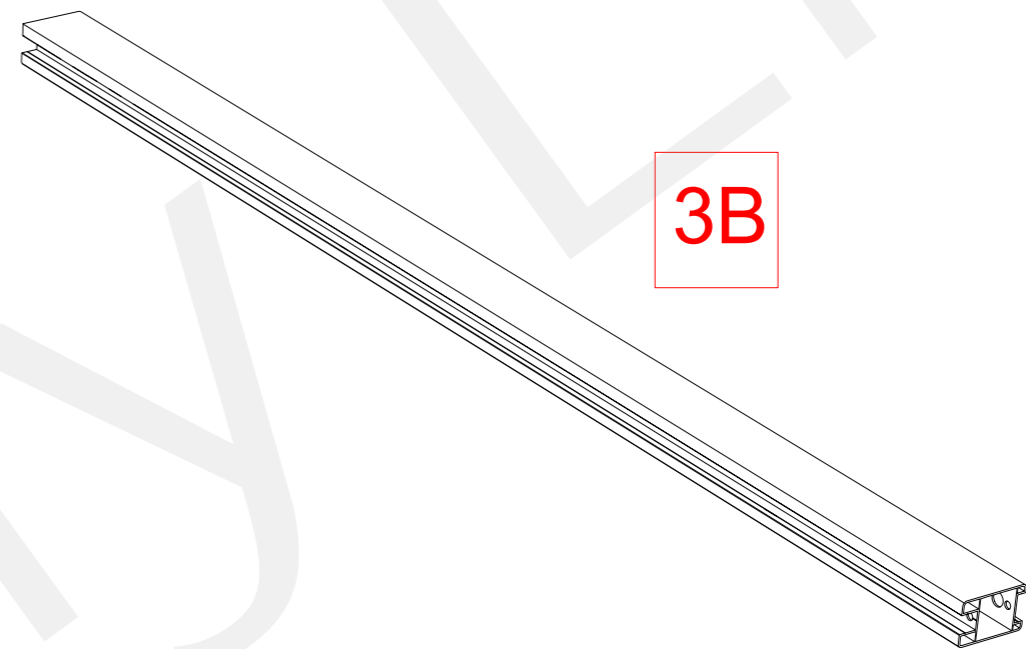
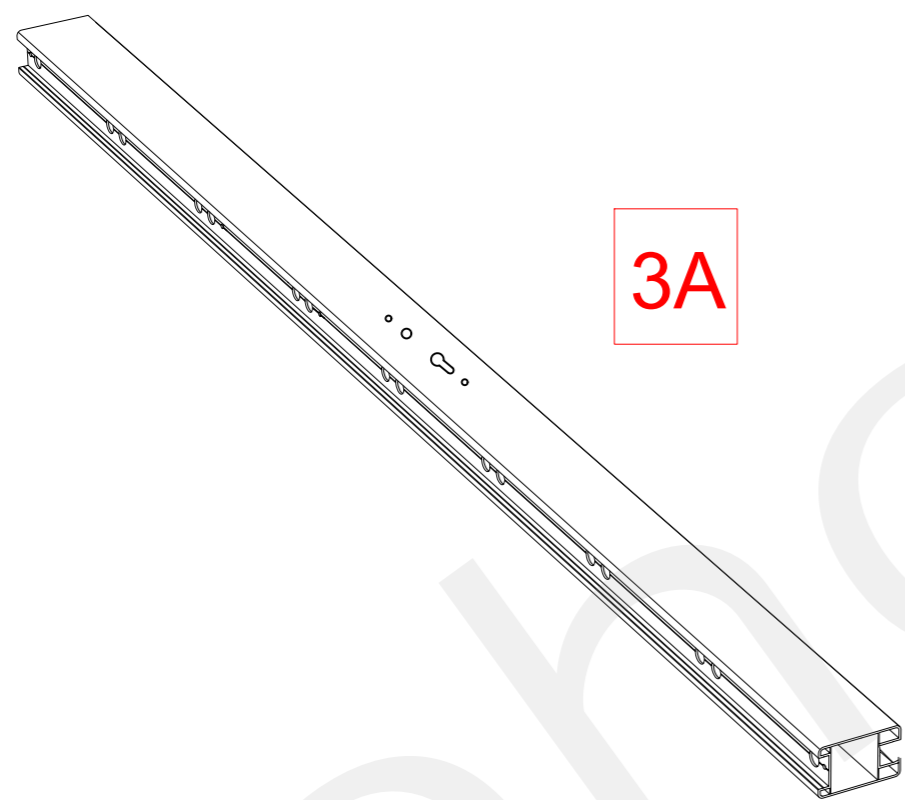
NO.	11	12	13	14	15
SECTION					
QTY	1	2	36	2	72

NO.	16	17	18	19	
SECTION					
QTY	4	4	8	16	

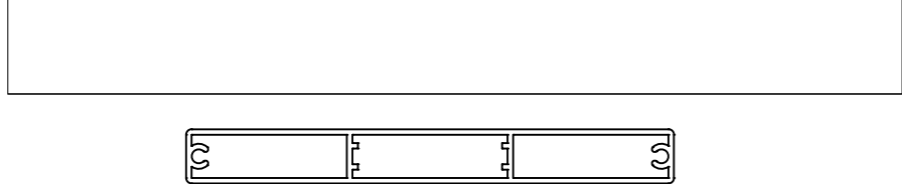


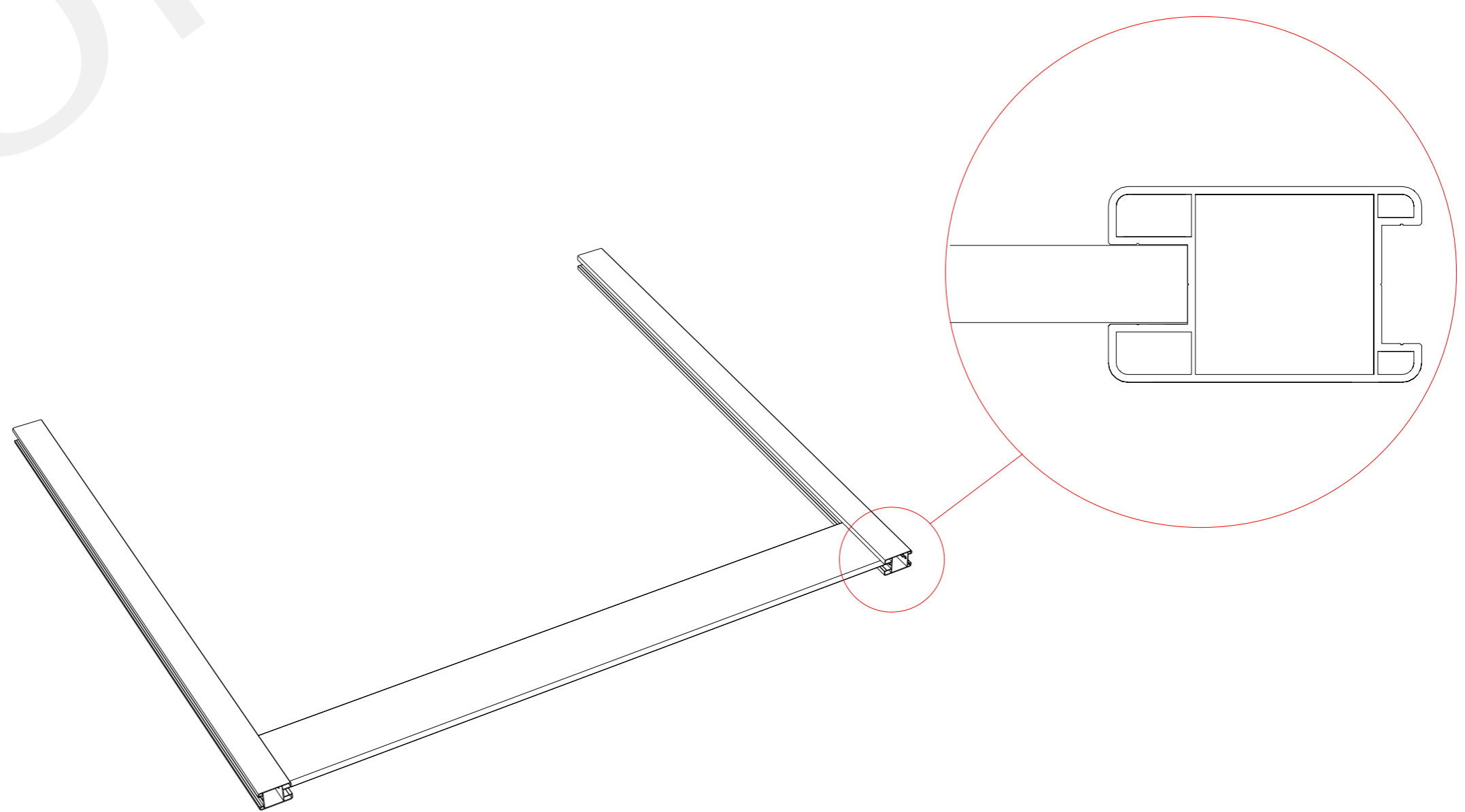
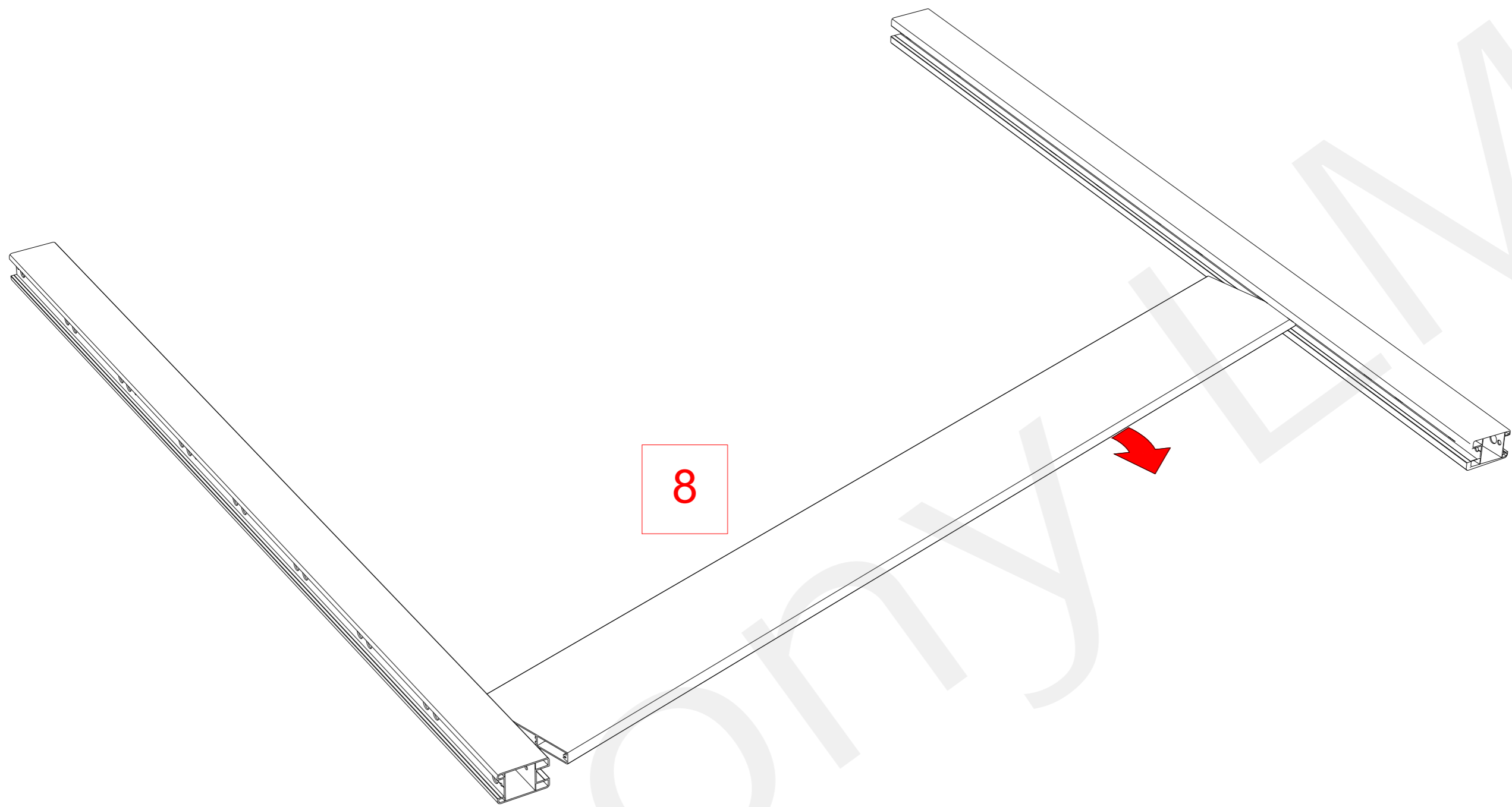


NO.	BESCHREIBUNG	QUANTITY
3A		1
3B		1

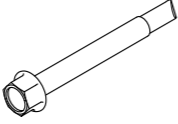


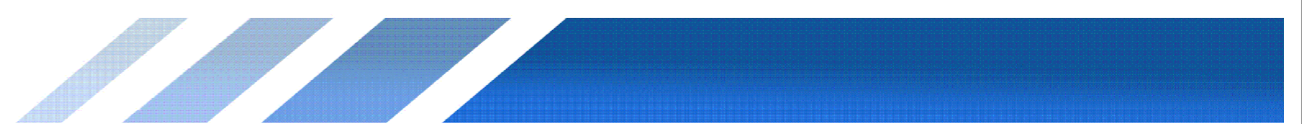
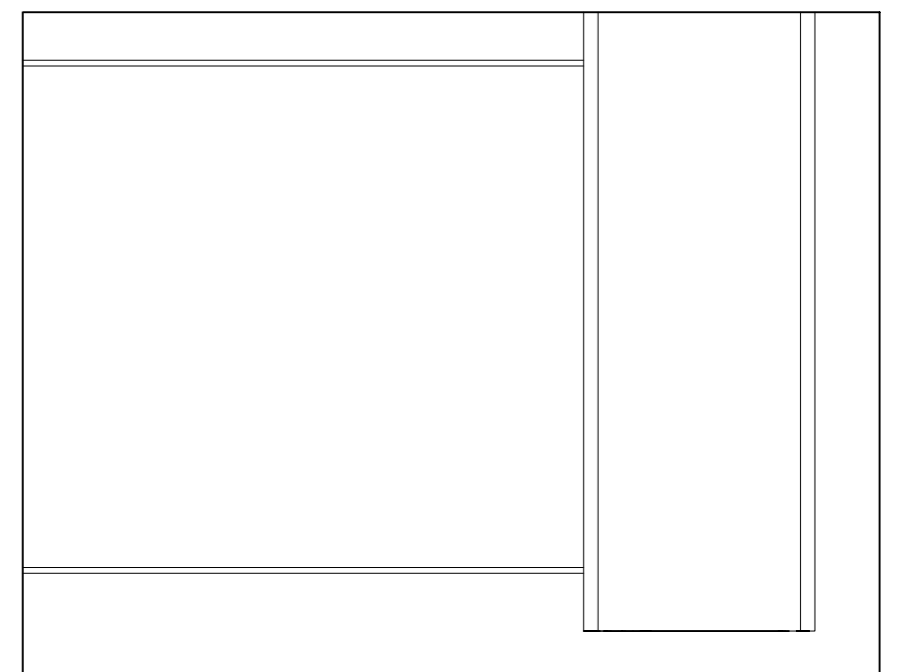
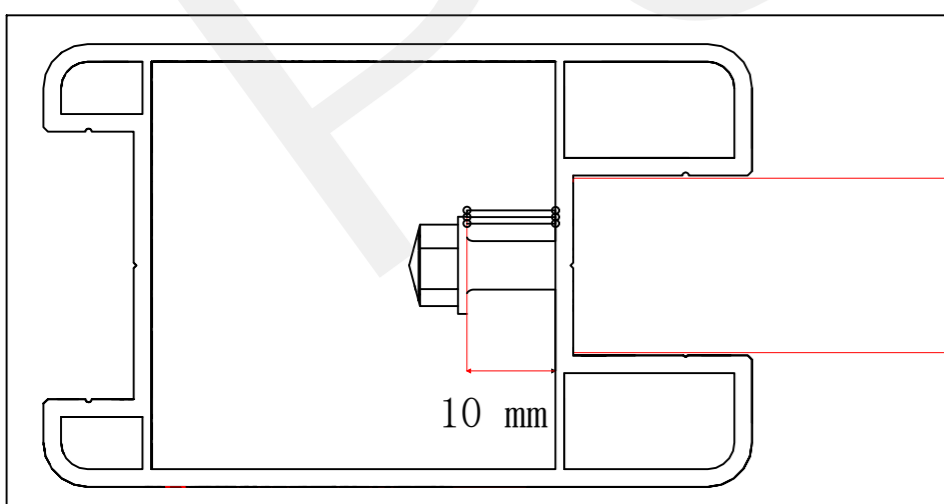
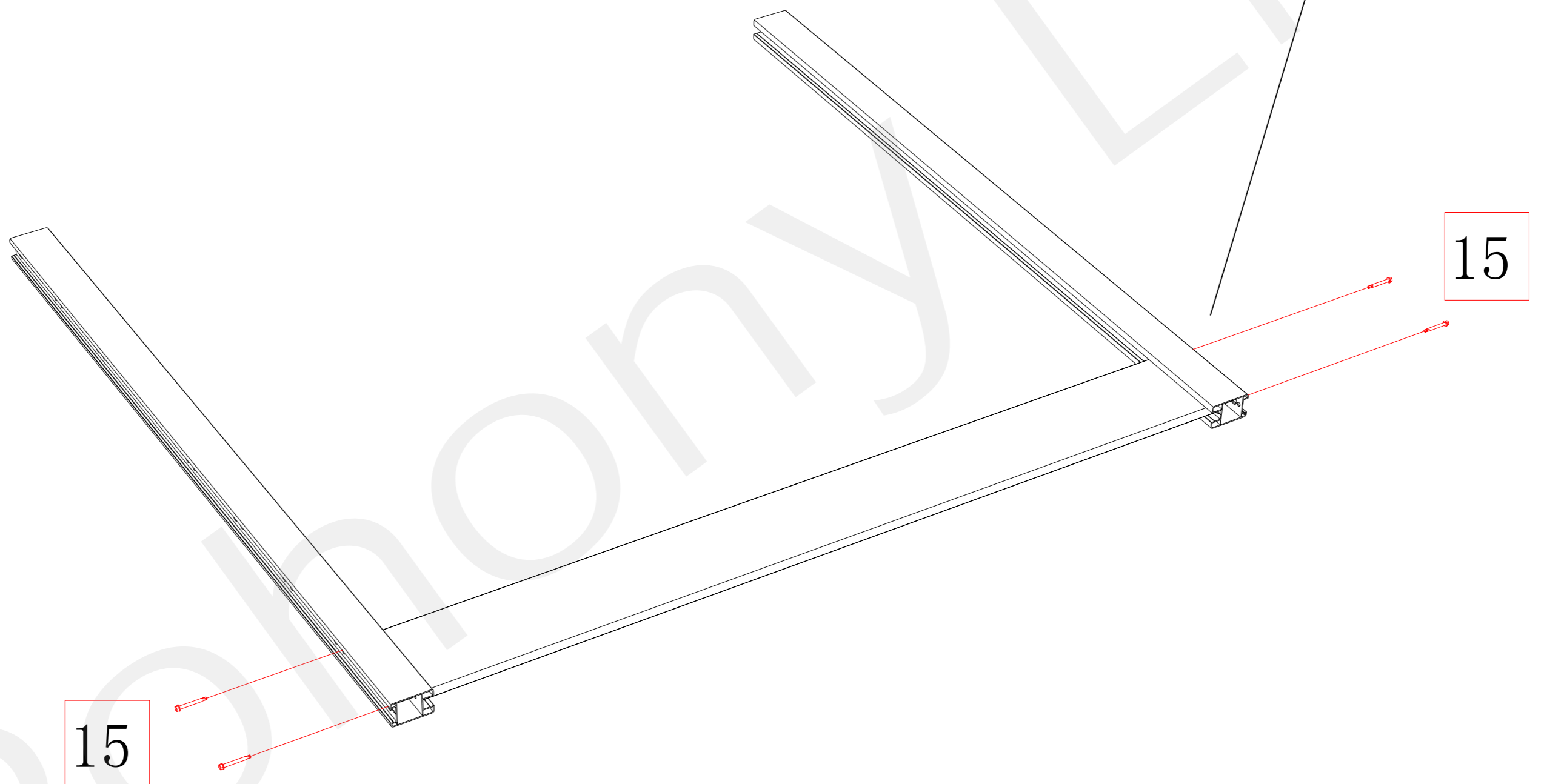
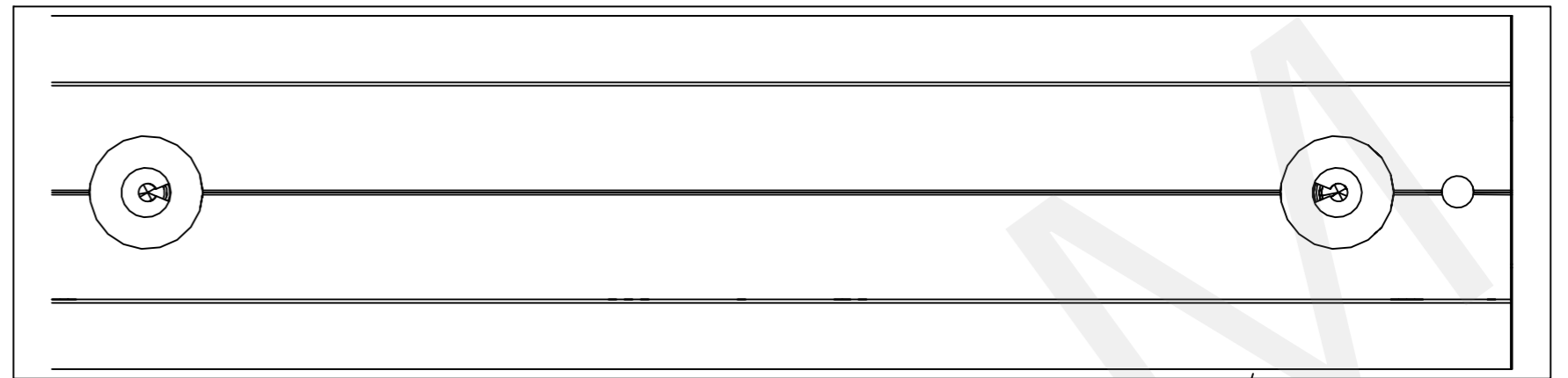


NO.	BESCHREIBUNG	QUANTITY
8		1

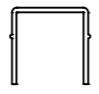


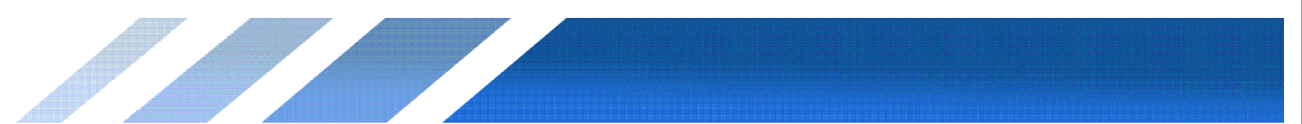
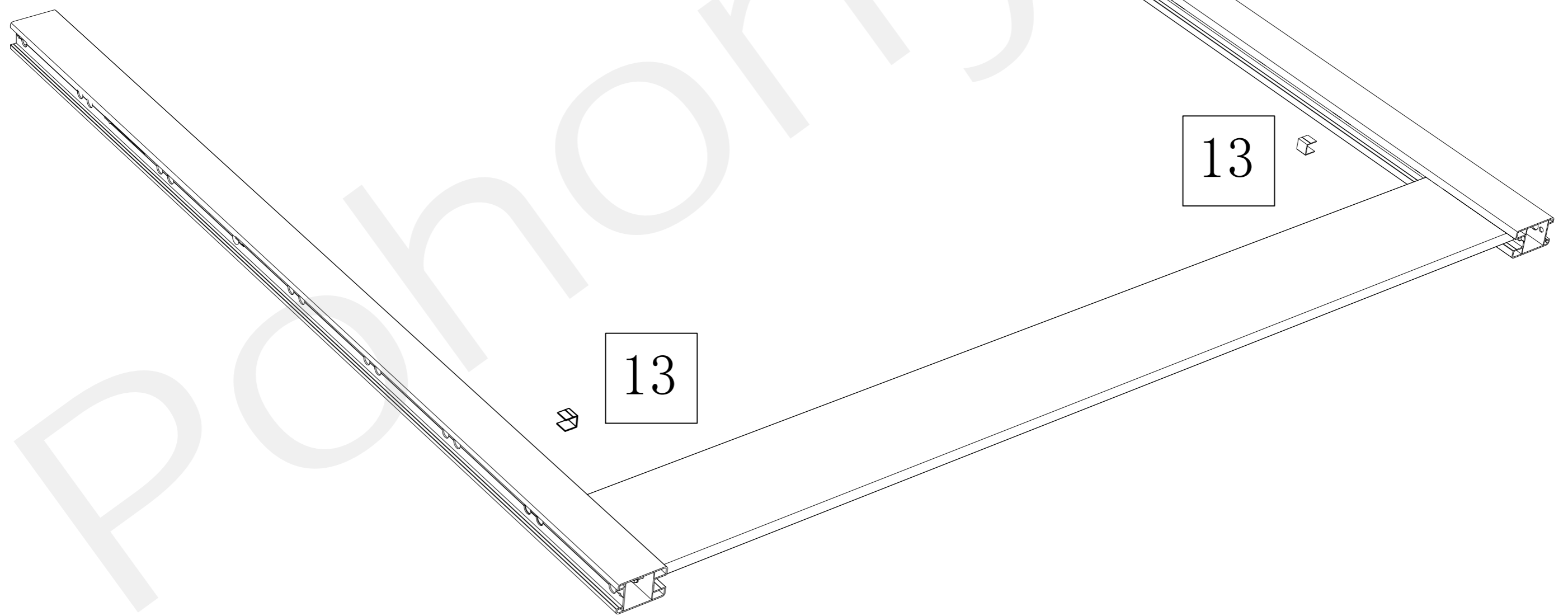
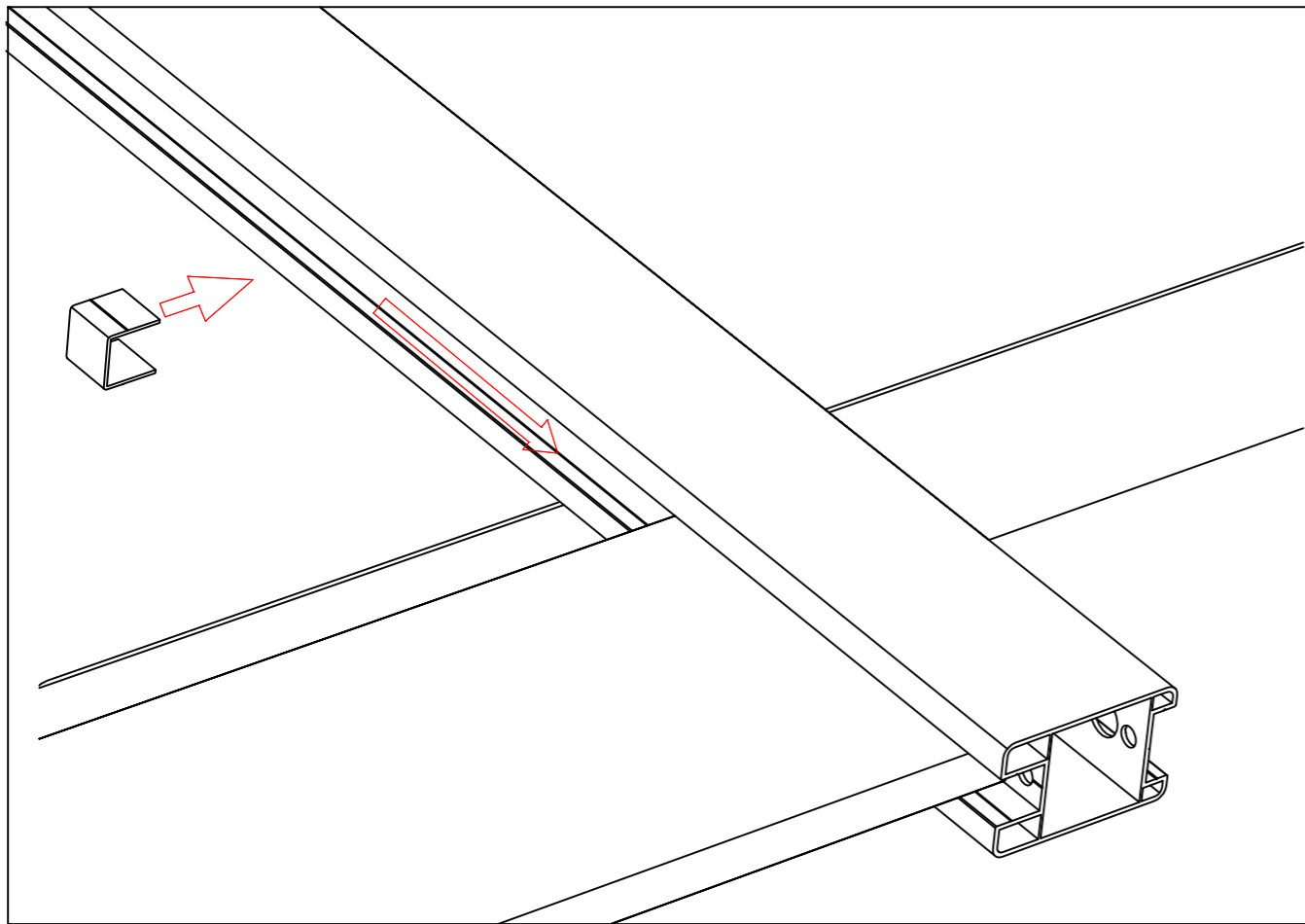


NO.	BESCHREIBUNG	QUANTITY
15	 M5.5 x 50	4


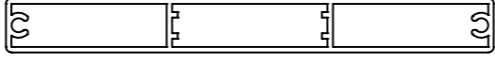
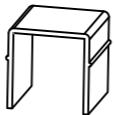




NO.	BESCHREIBUNG	QUANTITY
13	 19.8mm	2

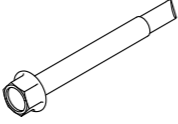


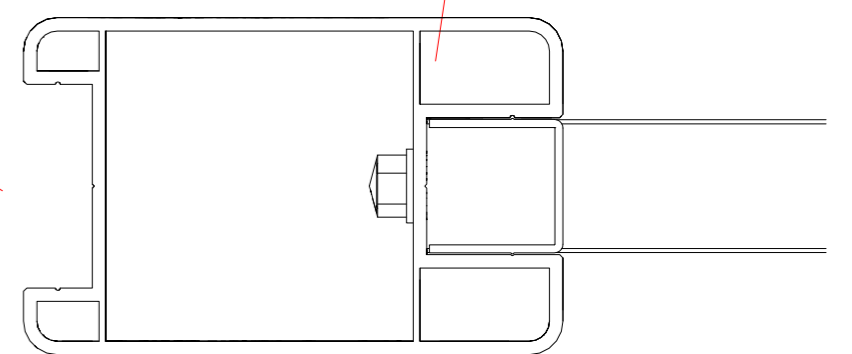
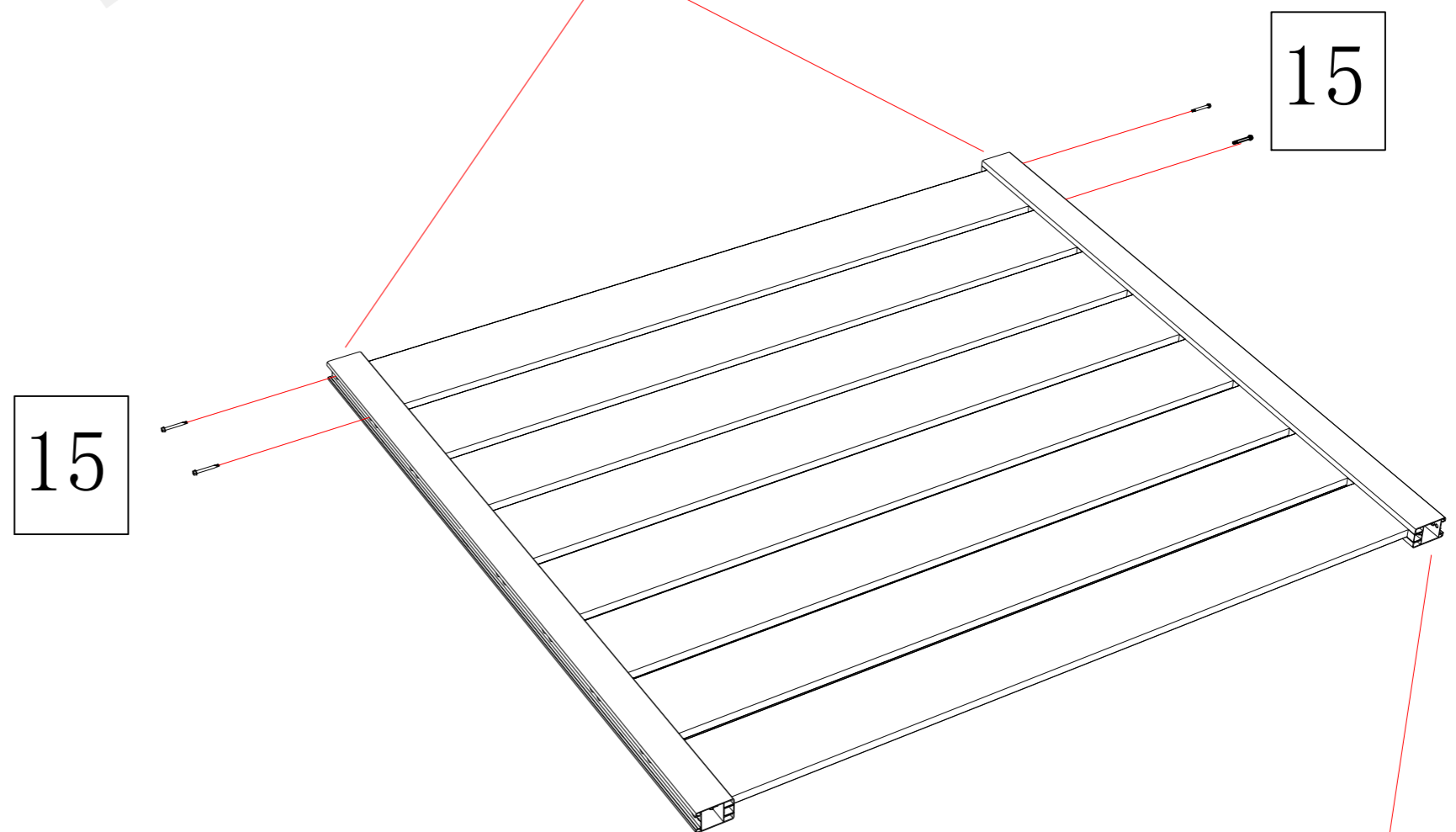
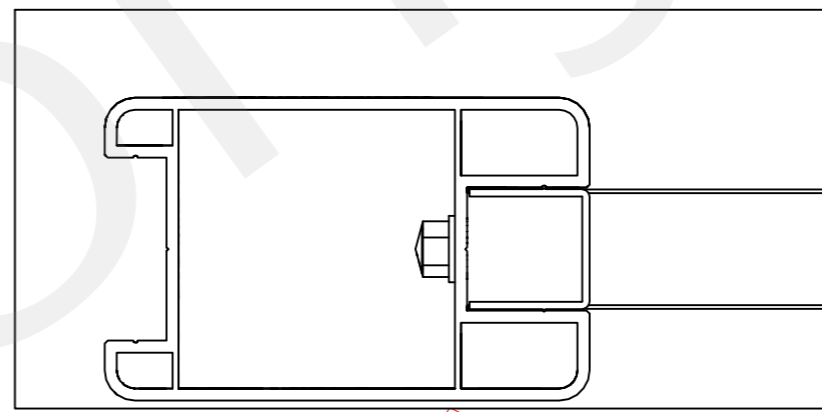
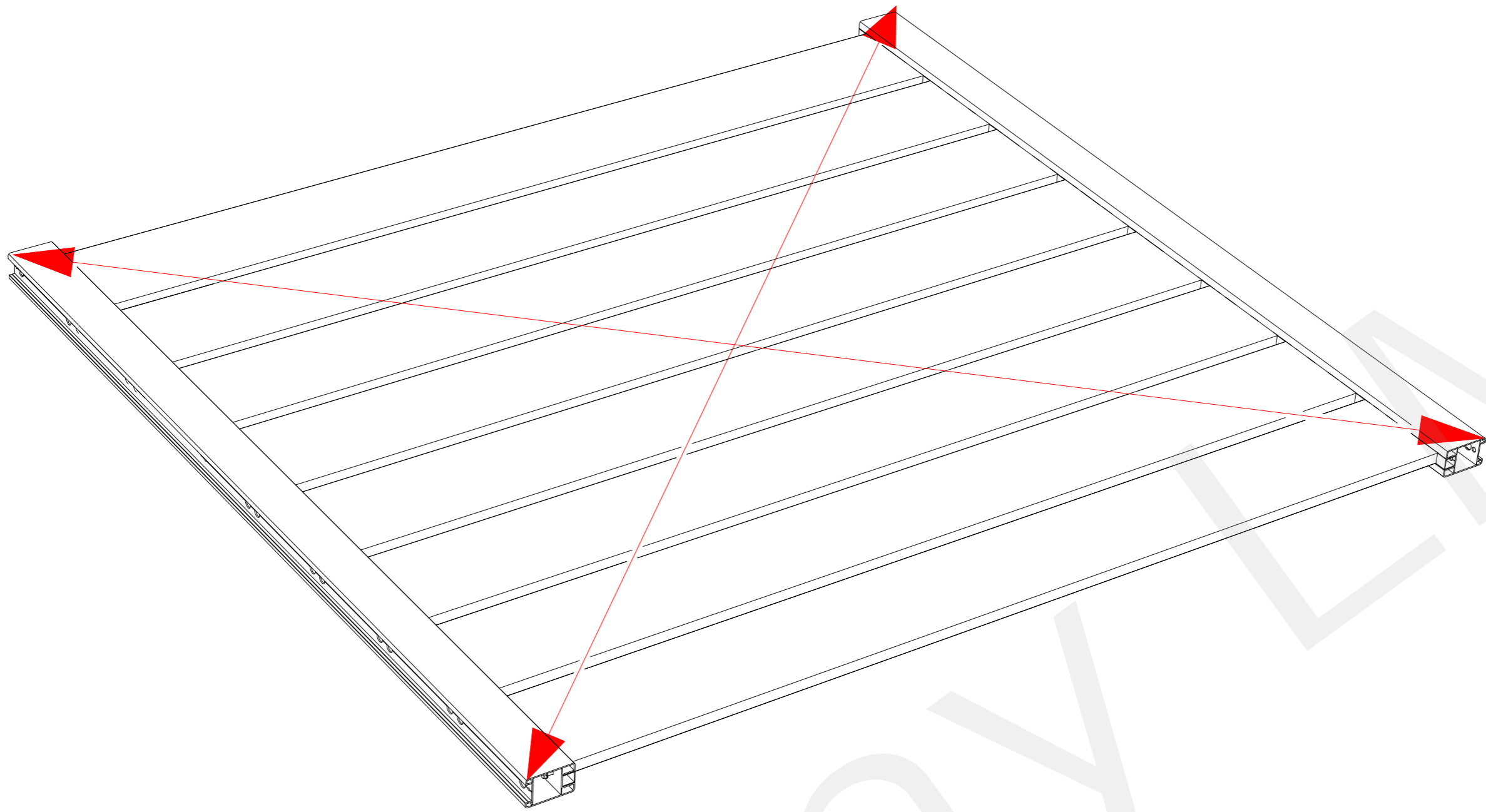


NO.	BESCHREIBUNG	QUANTITY
7		12
8		6
13	 19.8mm	38

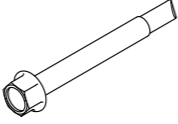


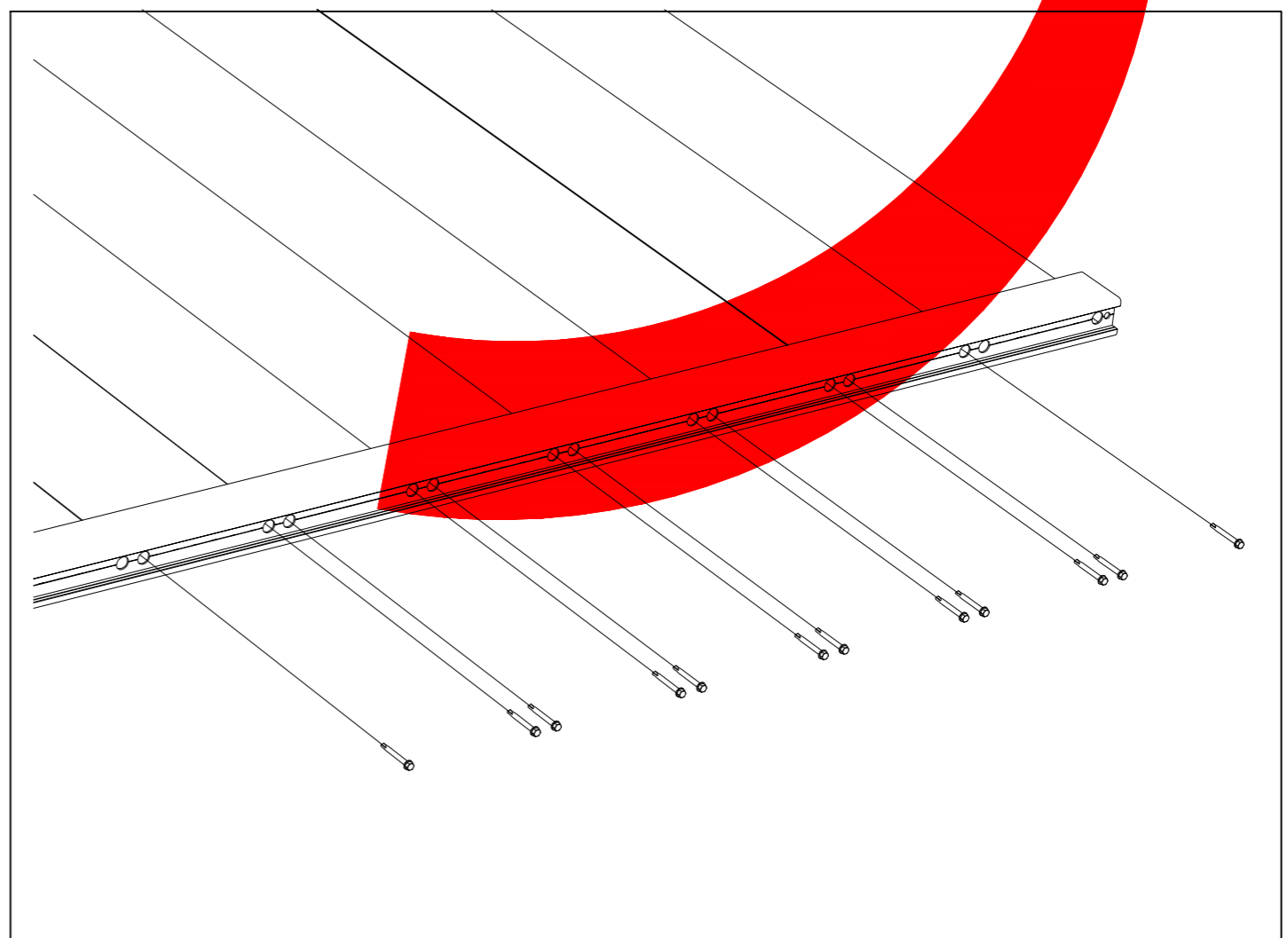
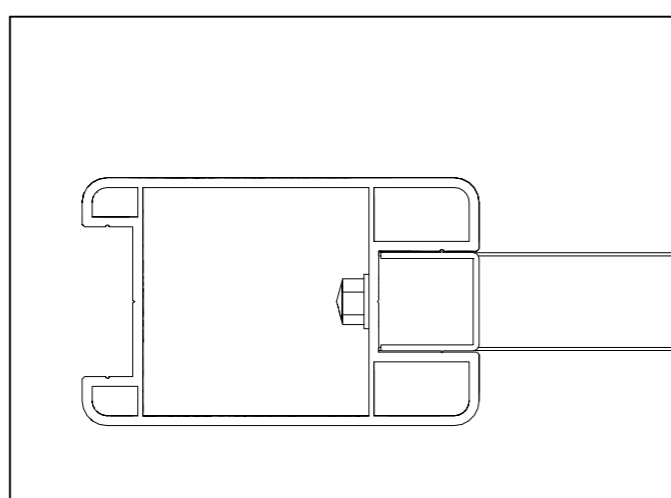
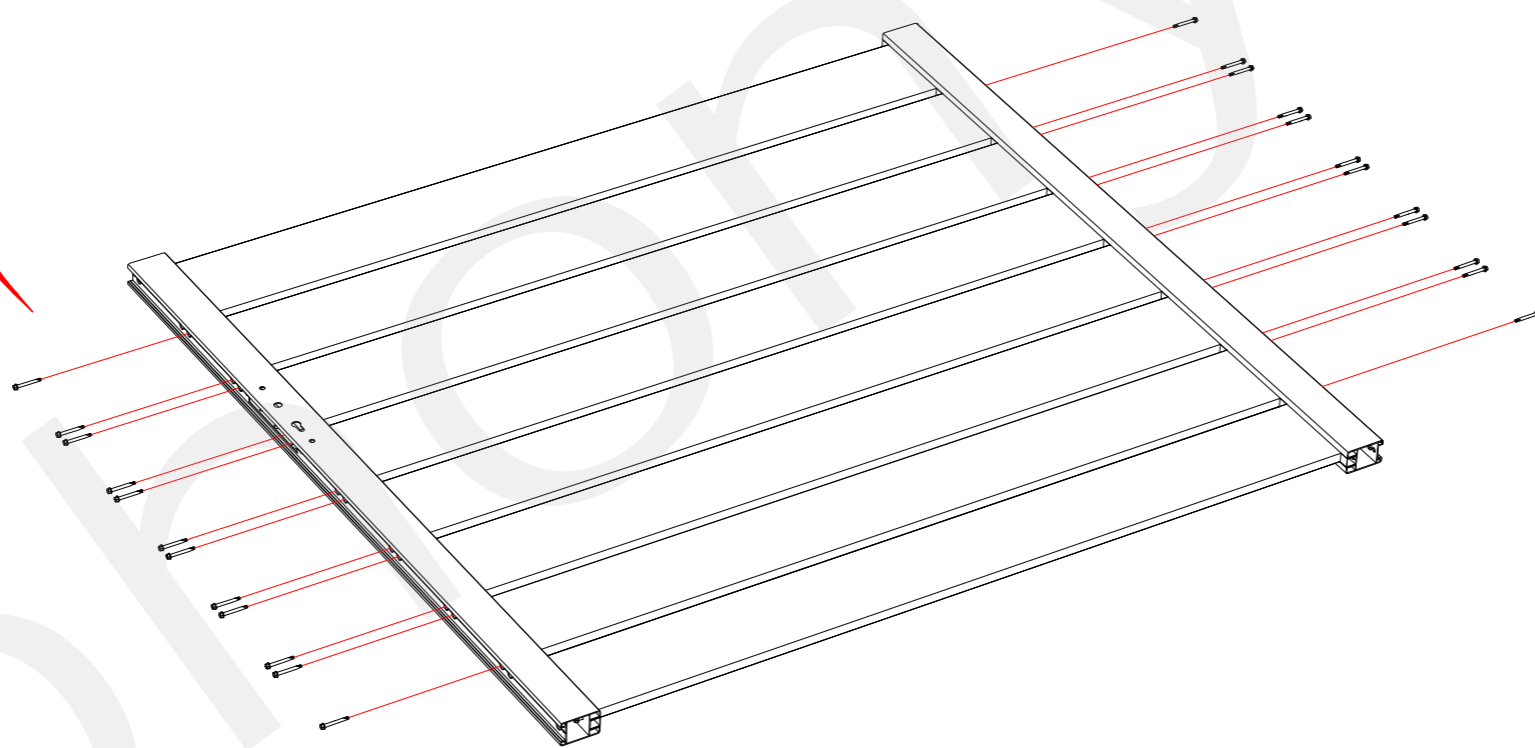
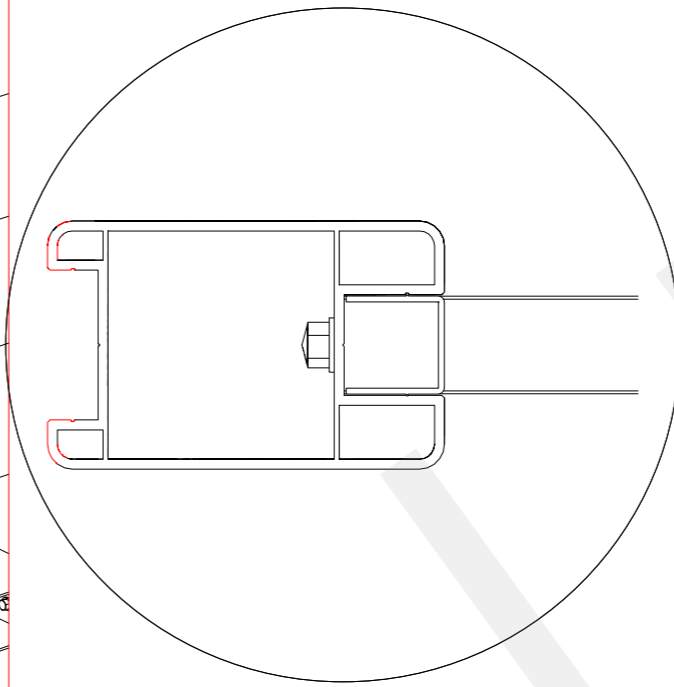
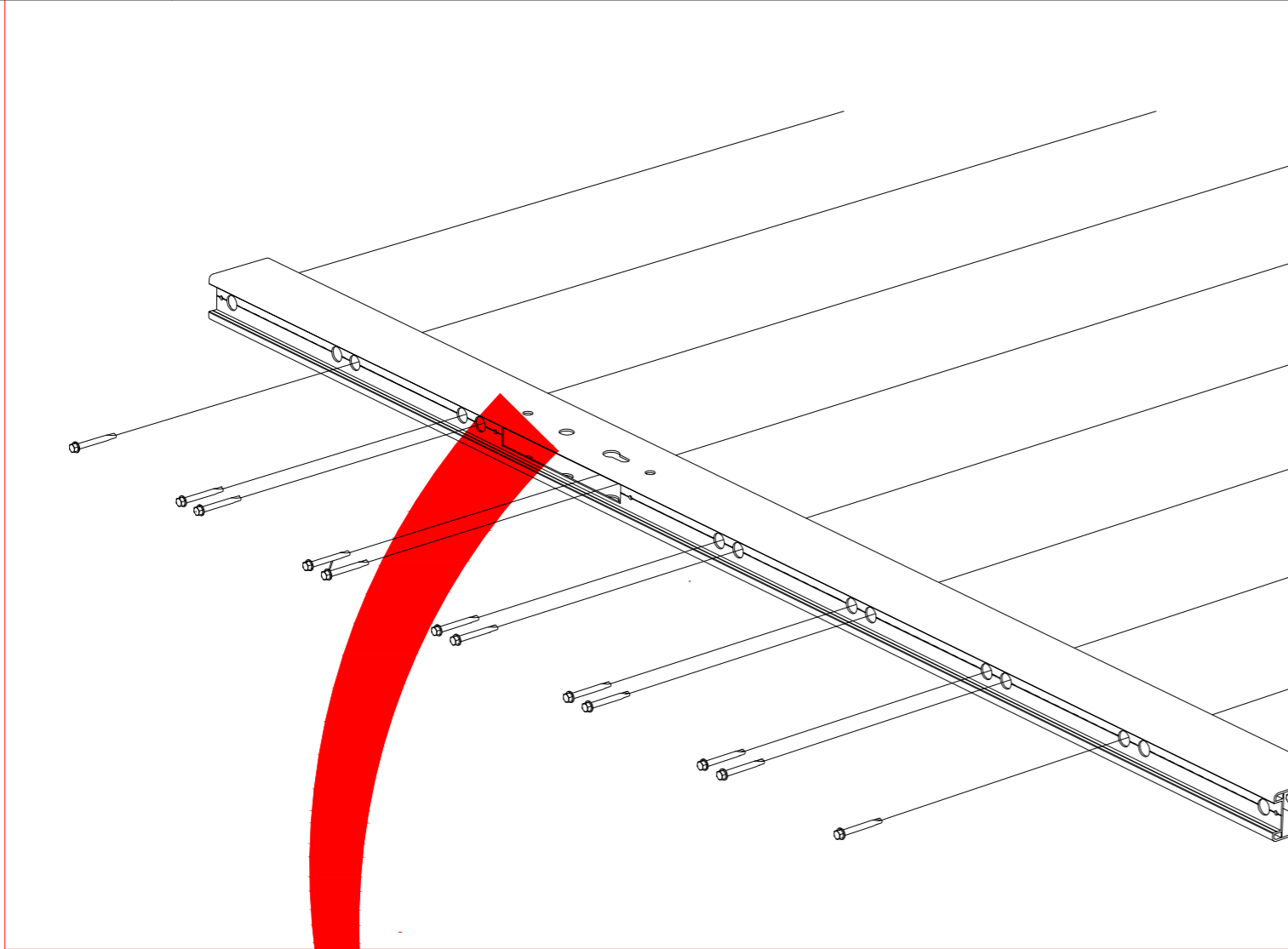


NO.	BESCHREIBUNG	QUANTITY
15	 M5.5 x 50	4

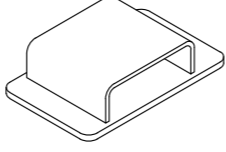
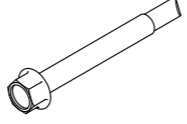


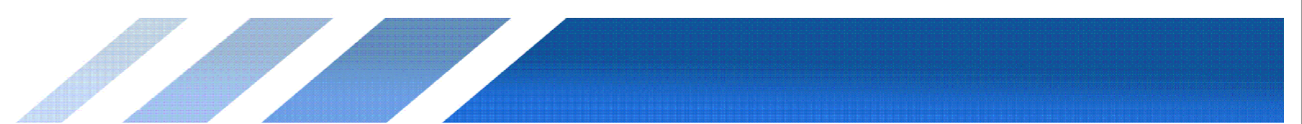
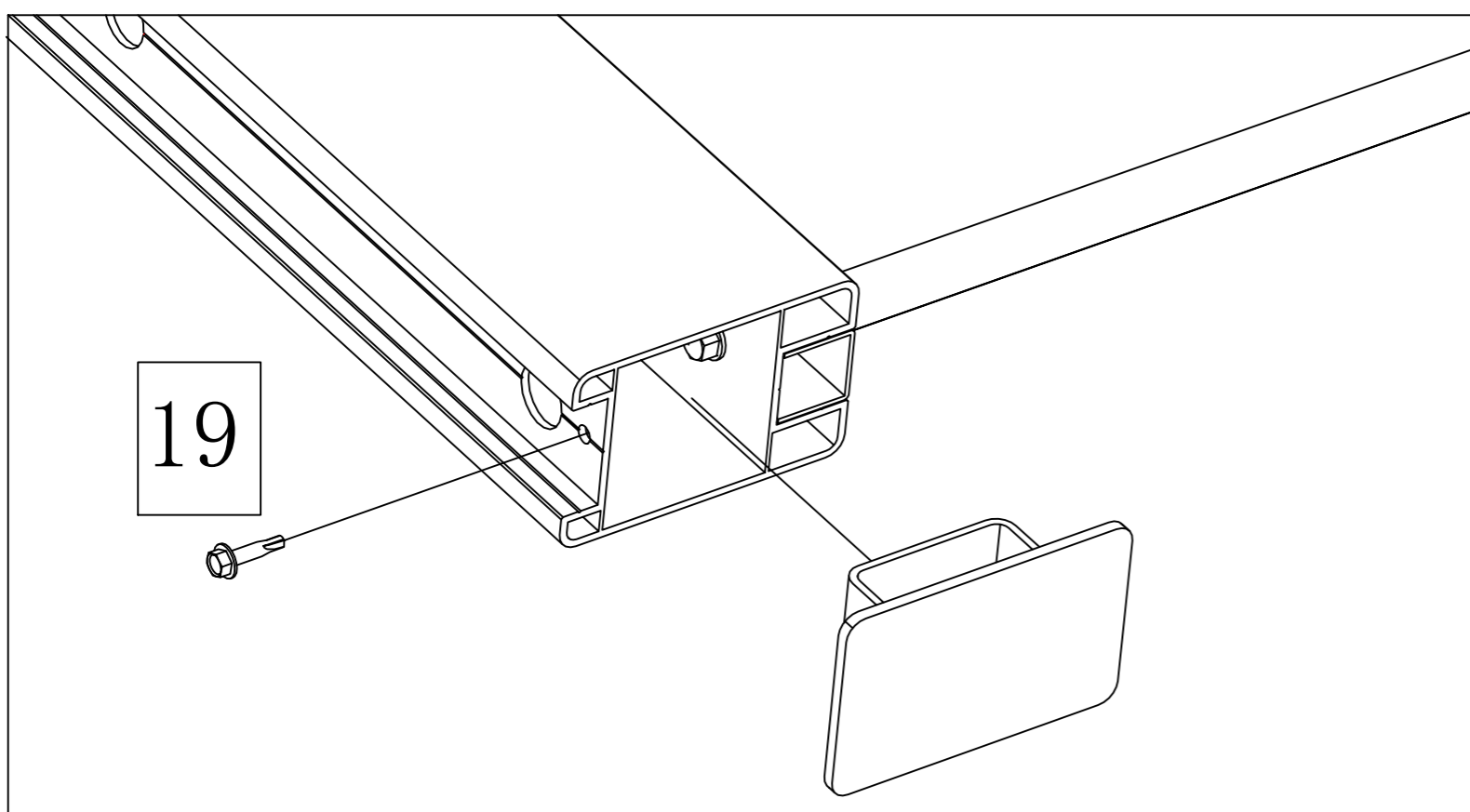
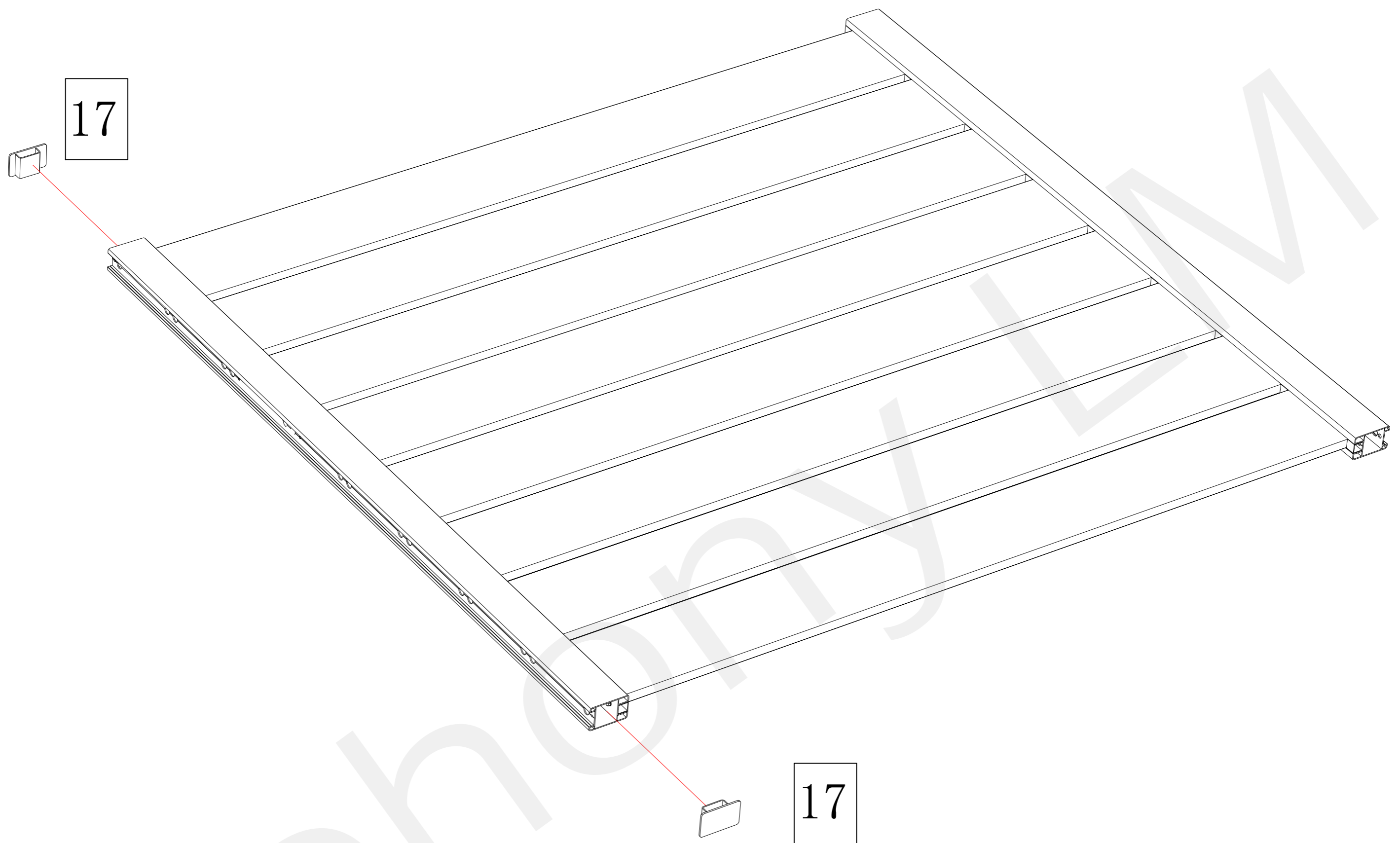


NO.	BESCHREIBUNG	QUANTITY
15	 M5.5 x 50	68

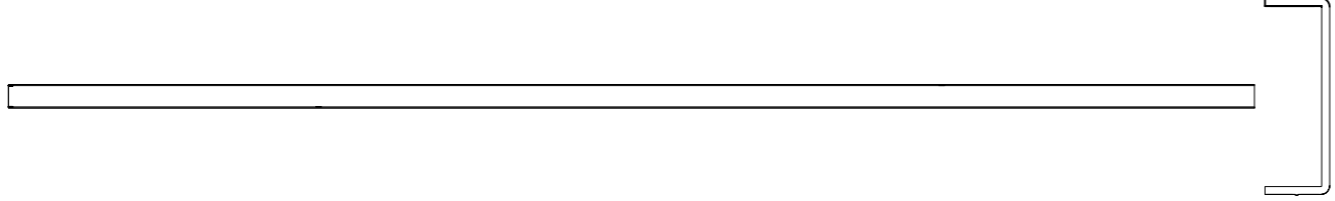


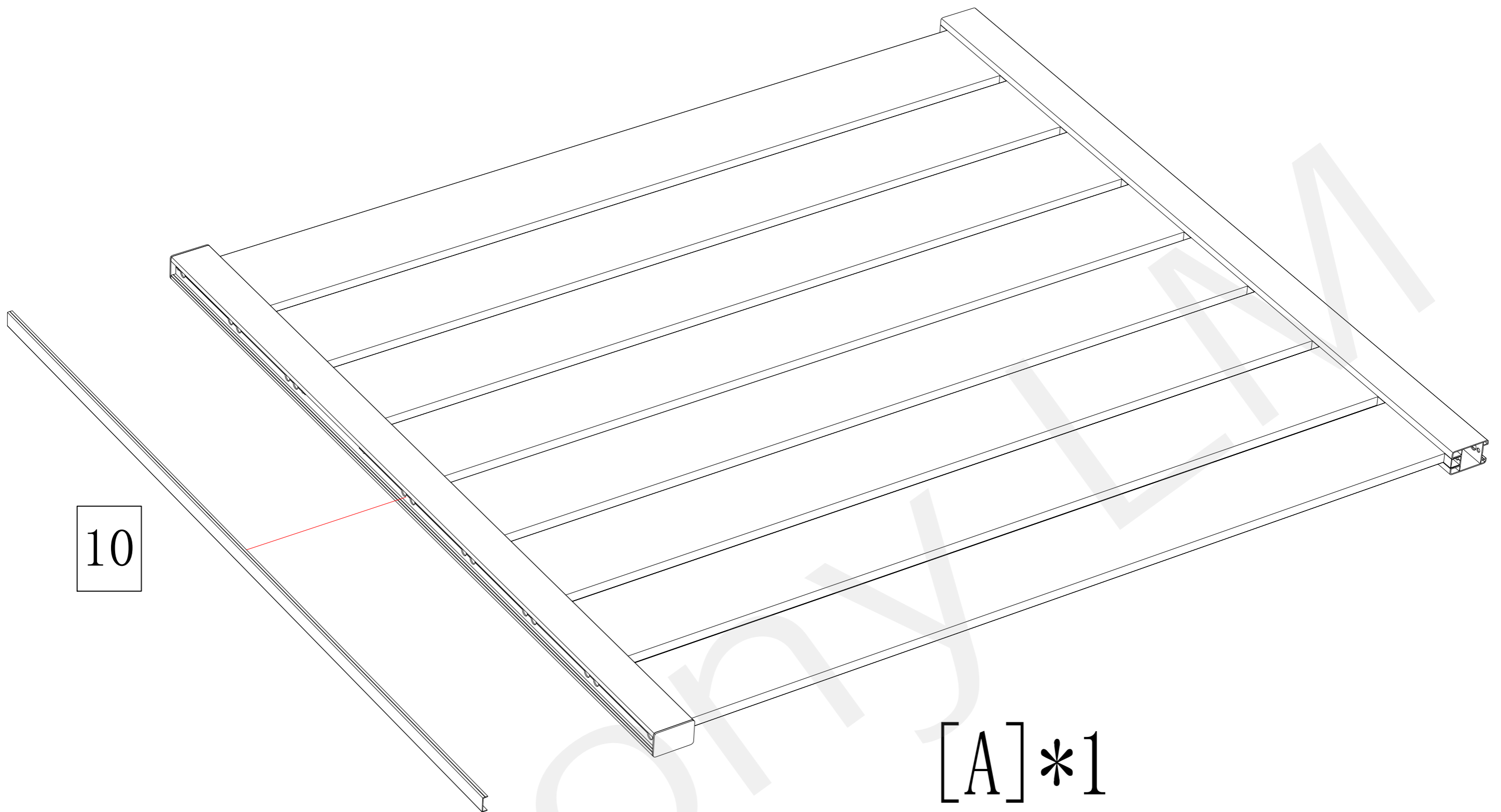


NO.	BESCHREIBUNG	QUANTITY
17		2
19	 M4 x 16	2

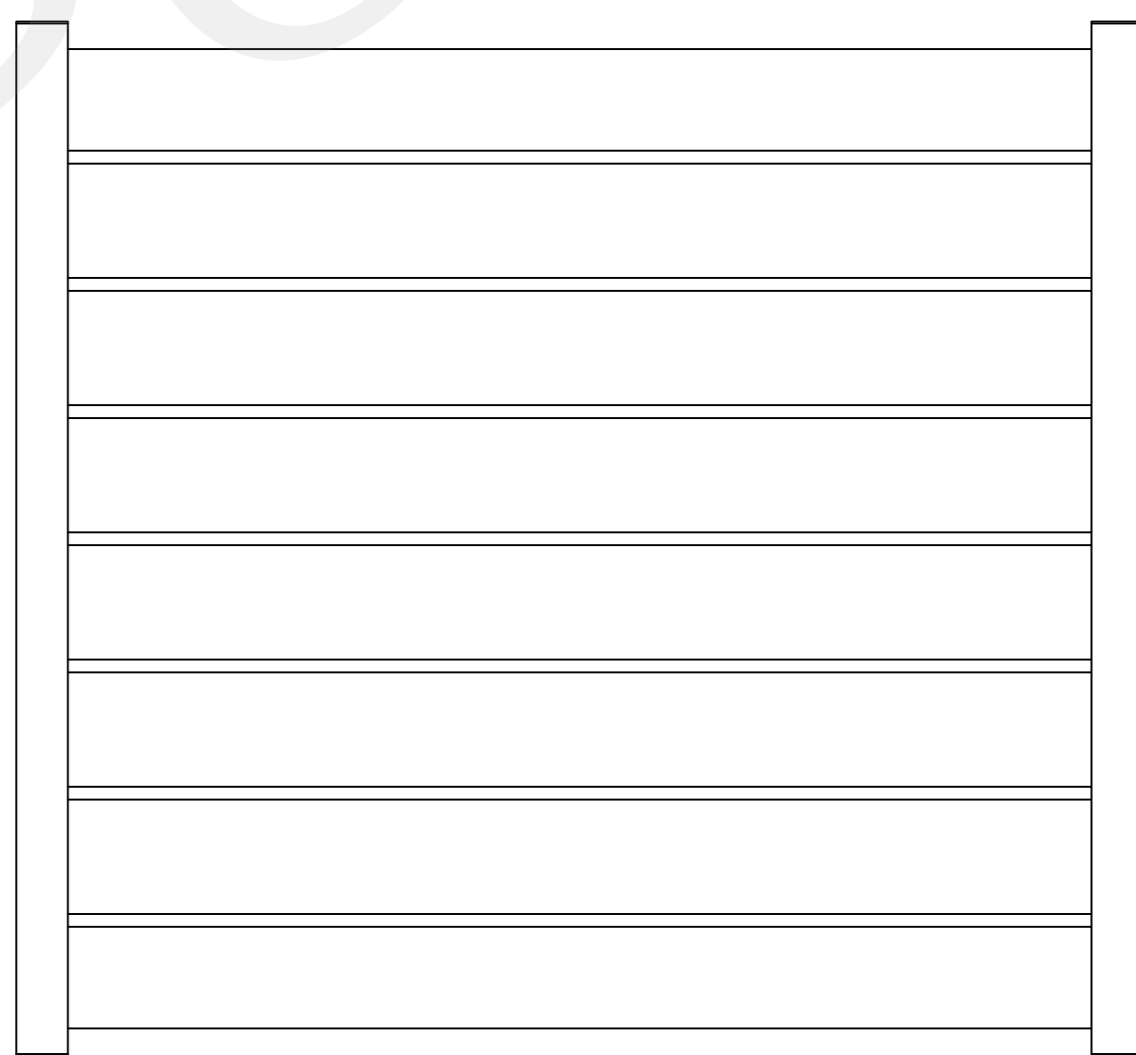




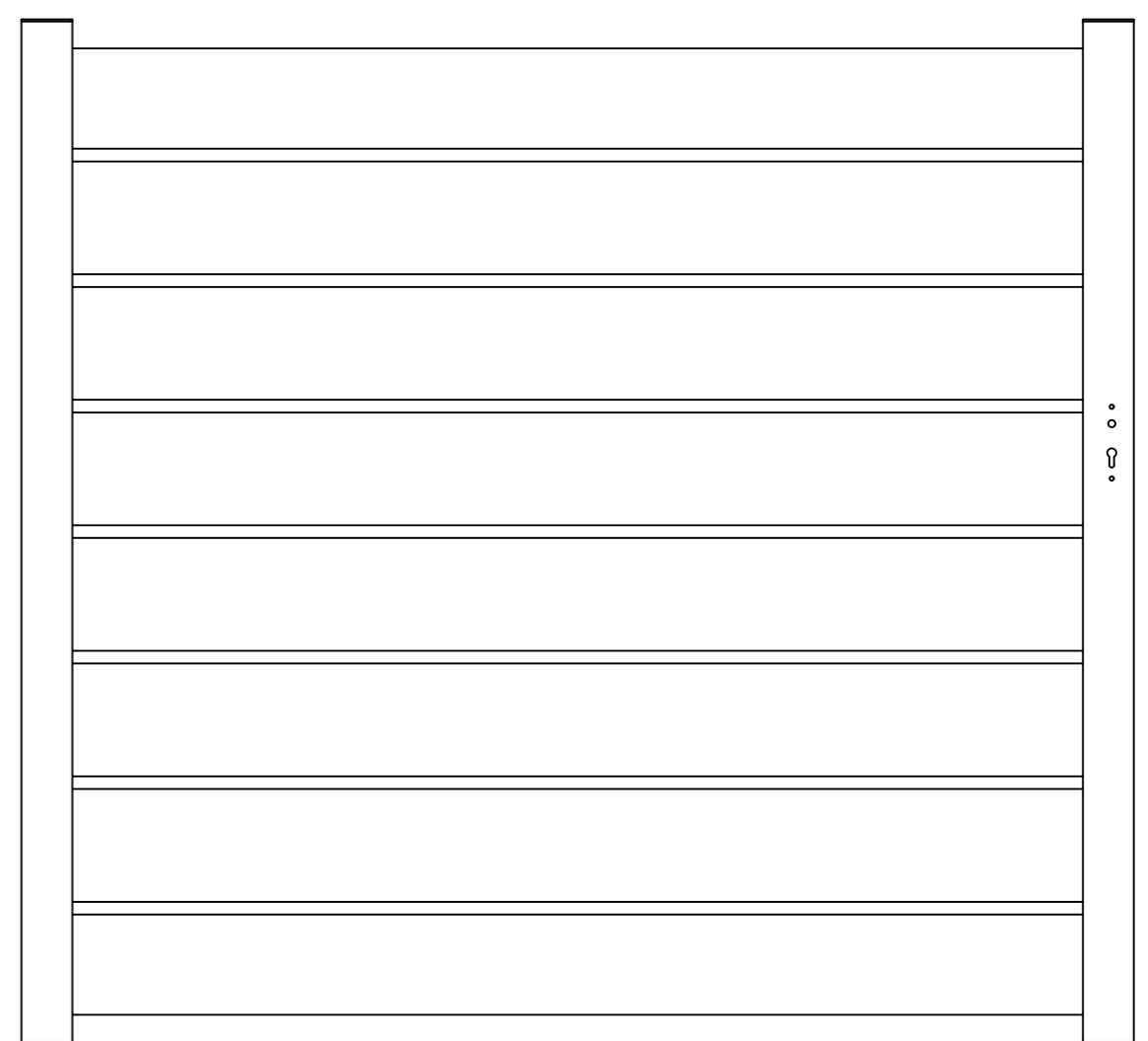
NO.	BESCHREIBUNG	QUANTITY
10		1



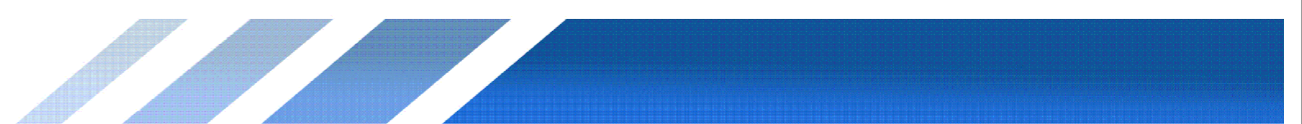
Panel B is the same installation way with Panel A.



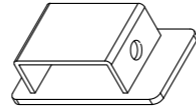
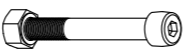
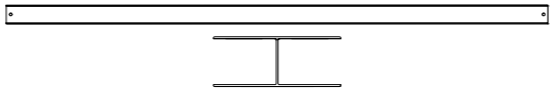
[B]*1

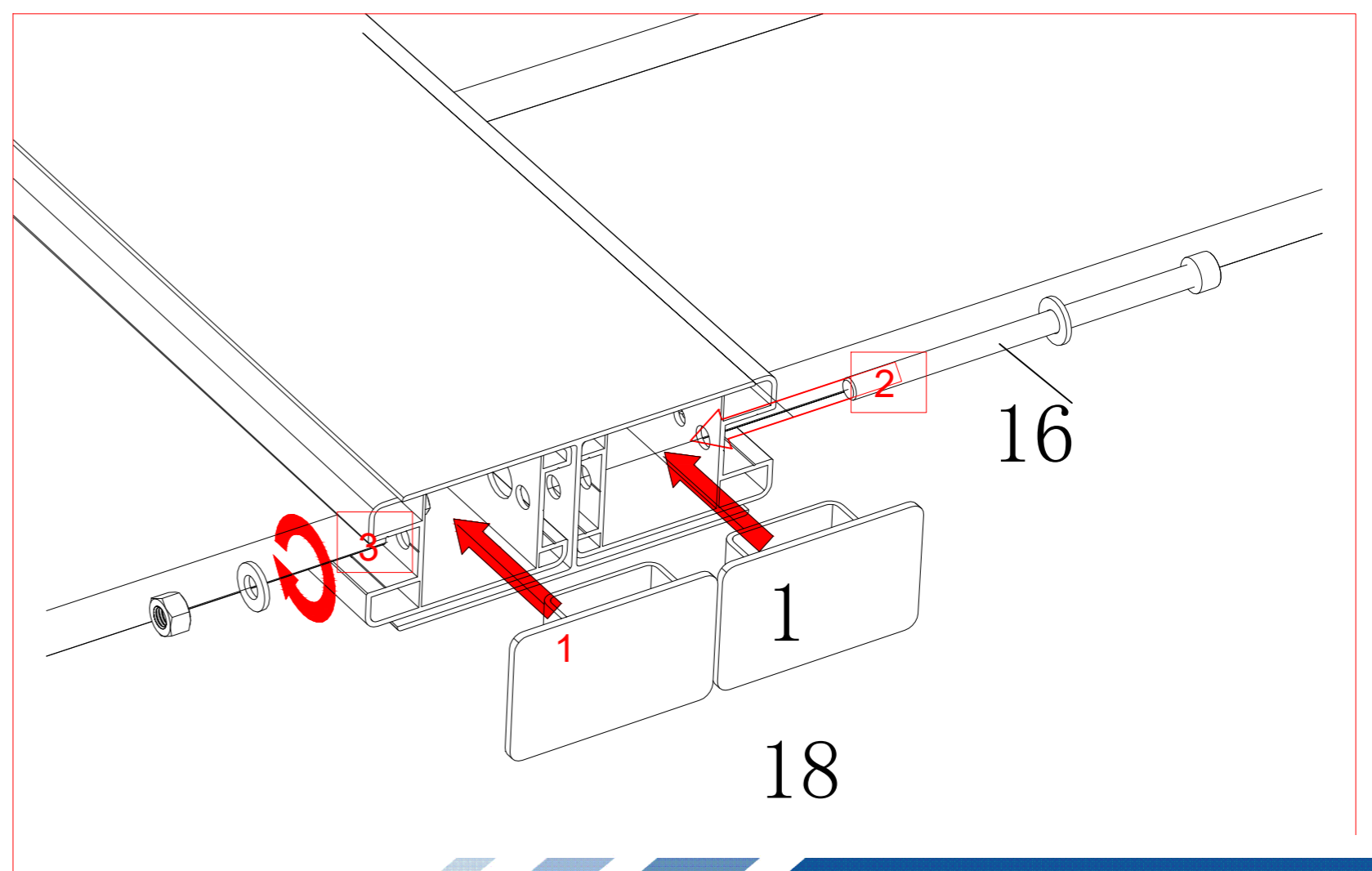
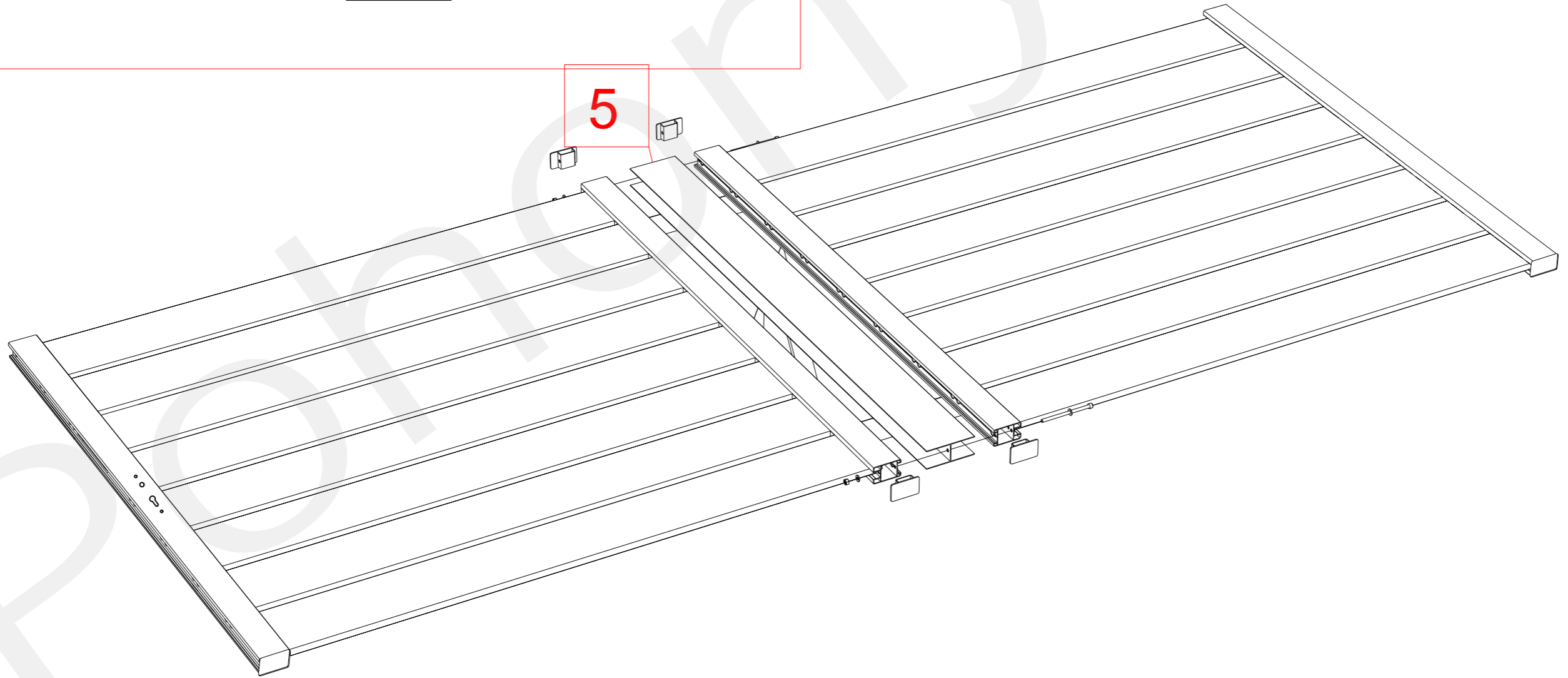
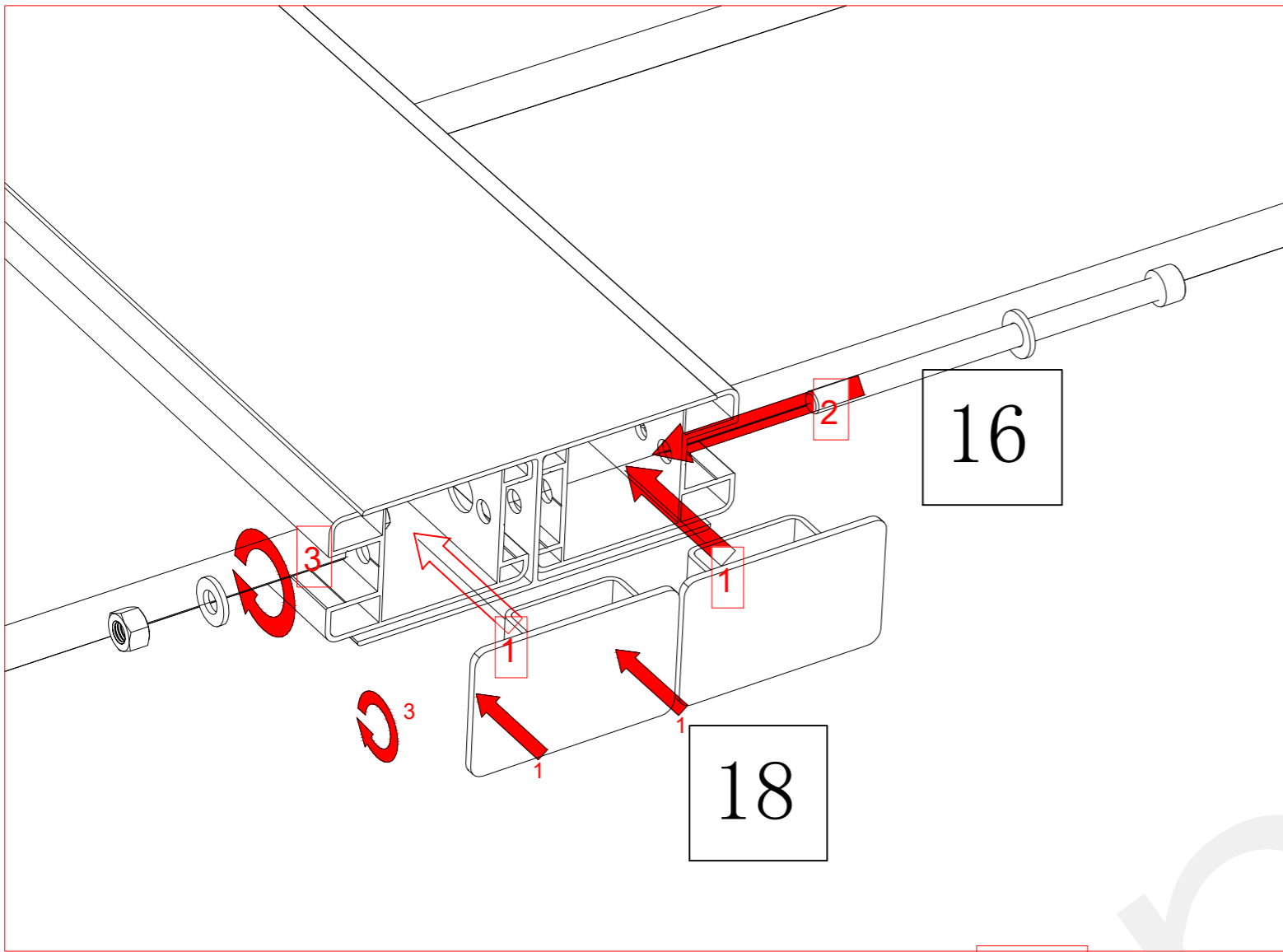


[A]*1

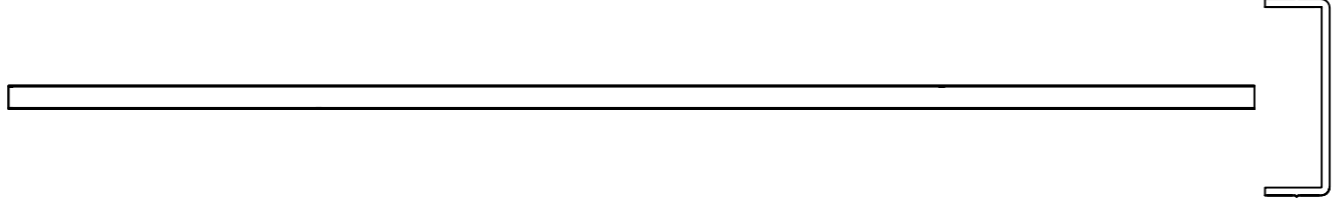


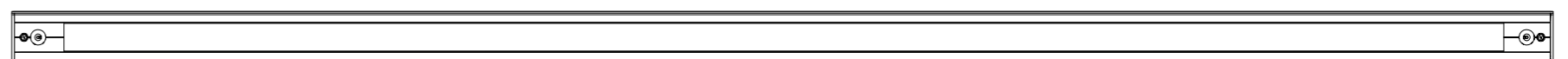
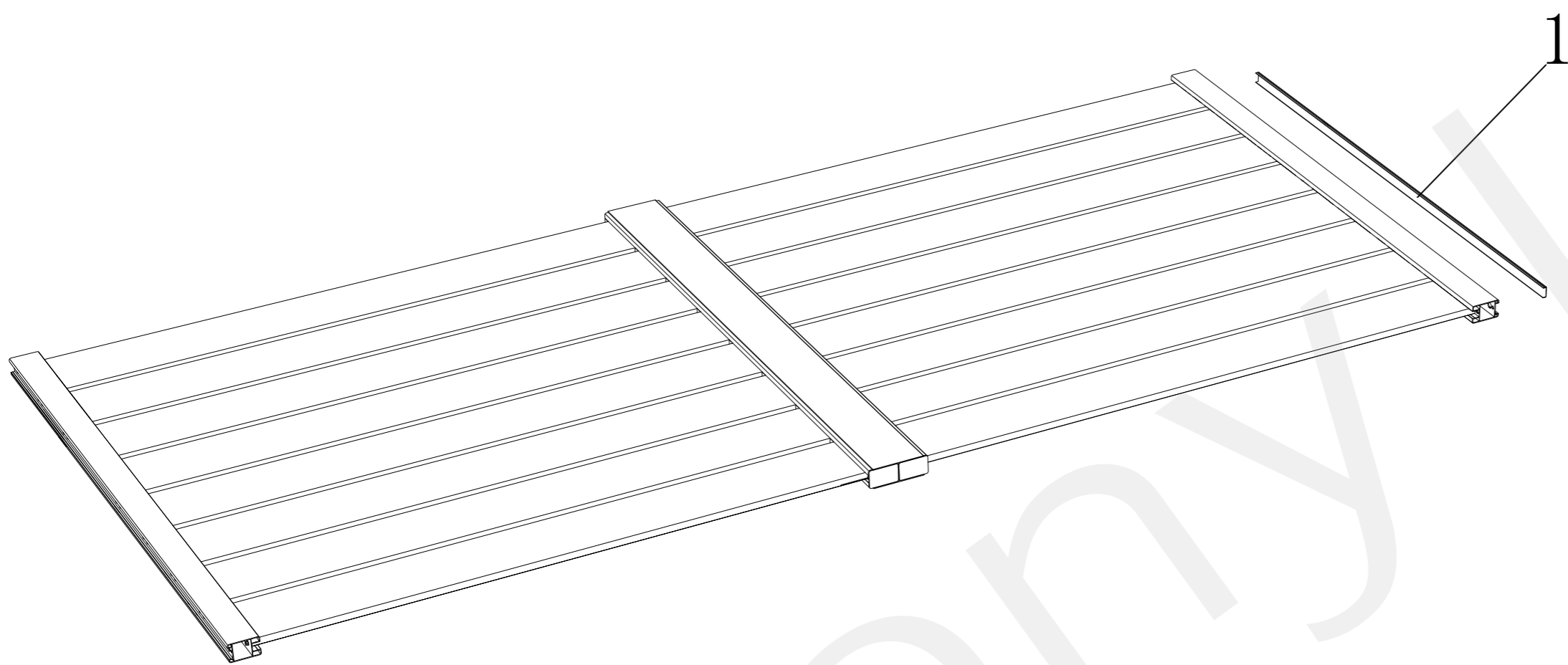


NO.	Beschreibung	QUANTITY
18		4
16		2
5		1

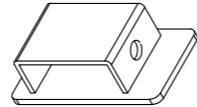
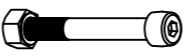
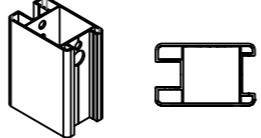
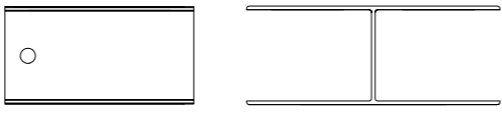


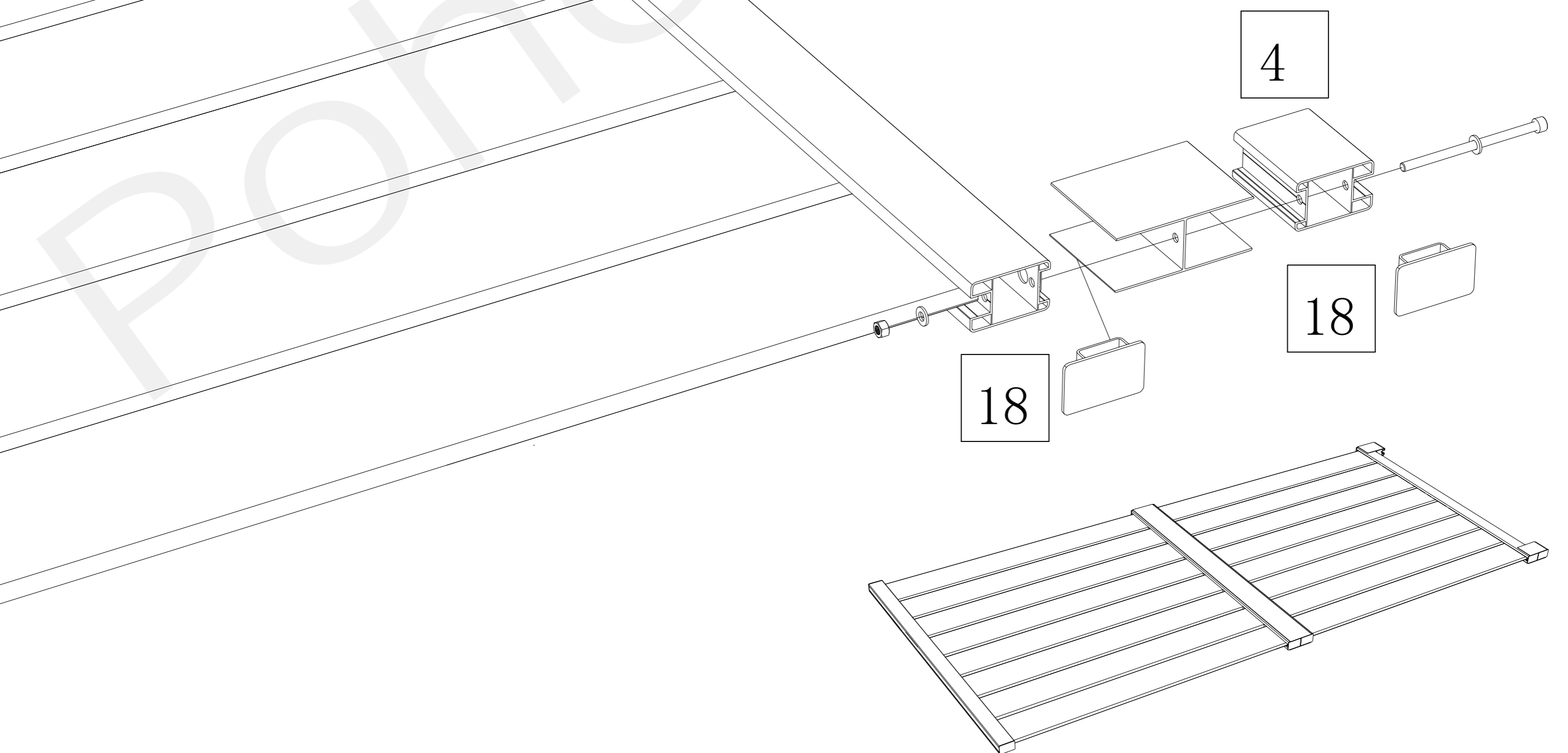
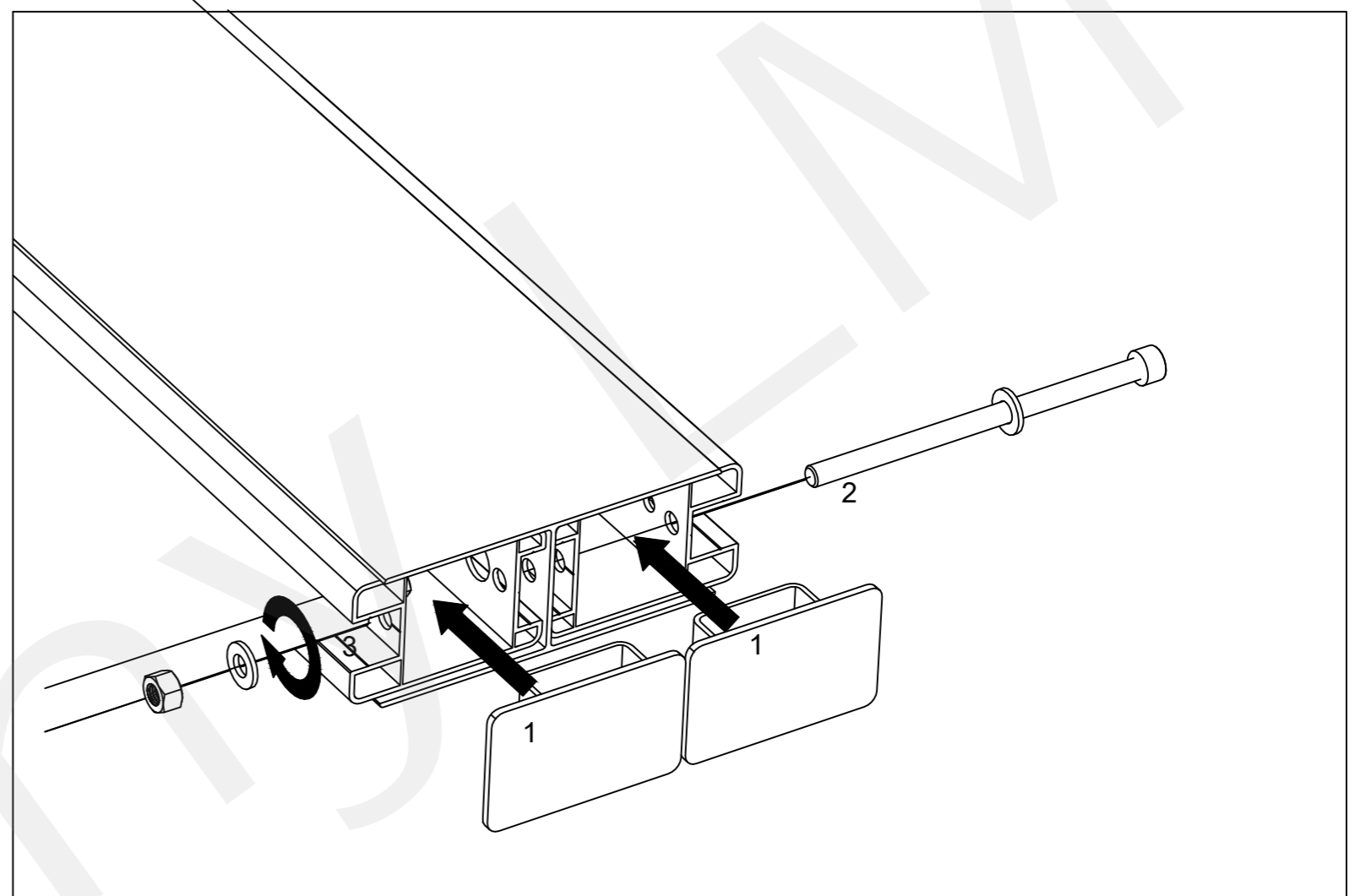
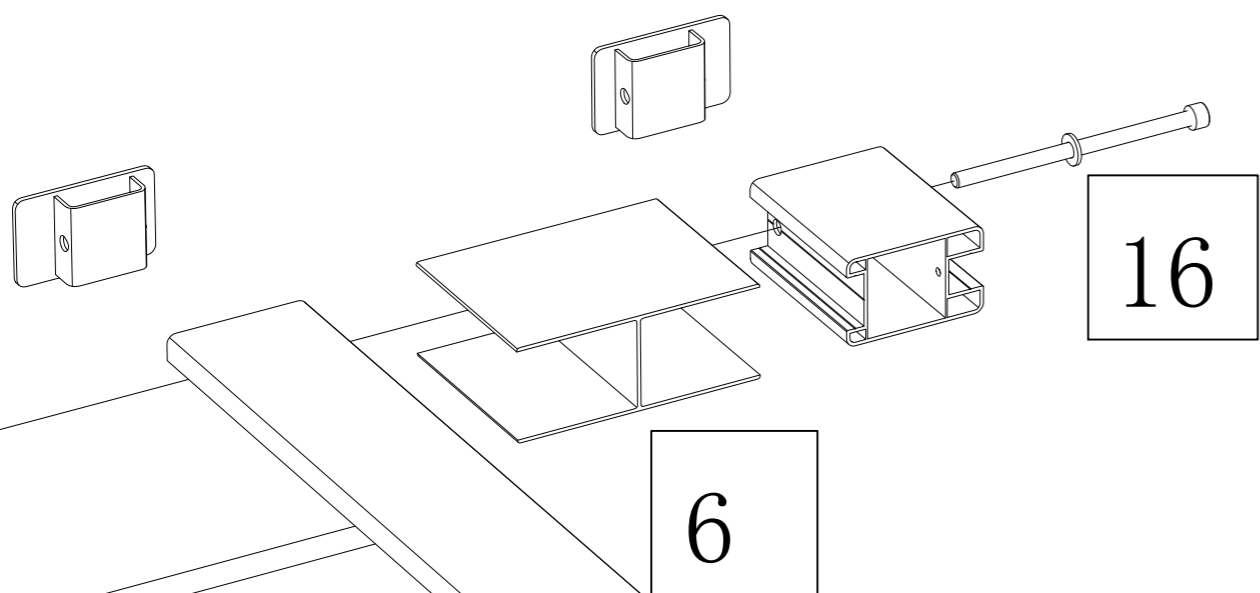


NO.	BESCHREIBUNG	QUANTITY
11		1

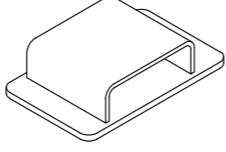
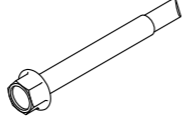


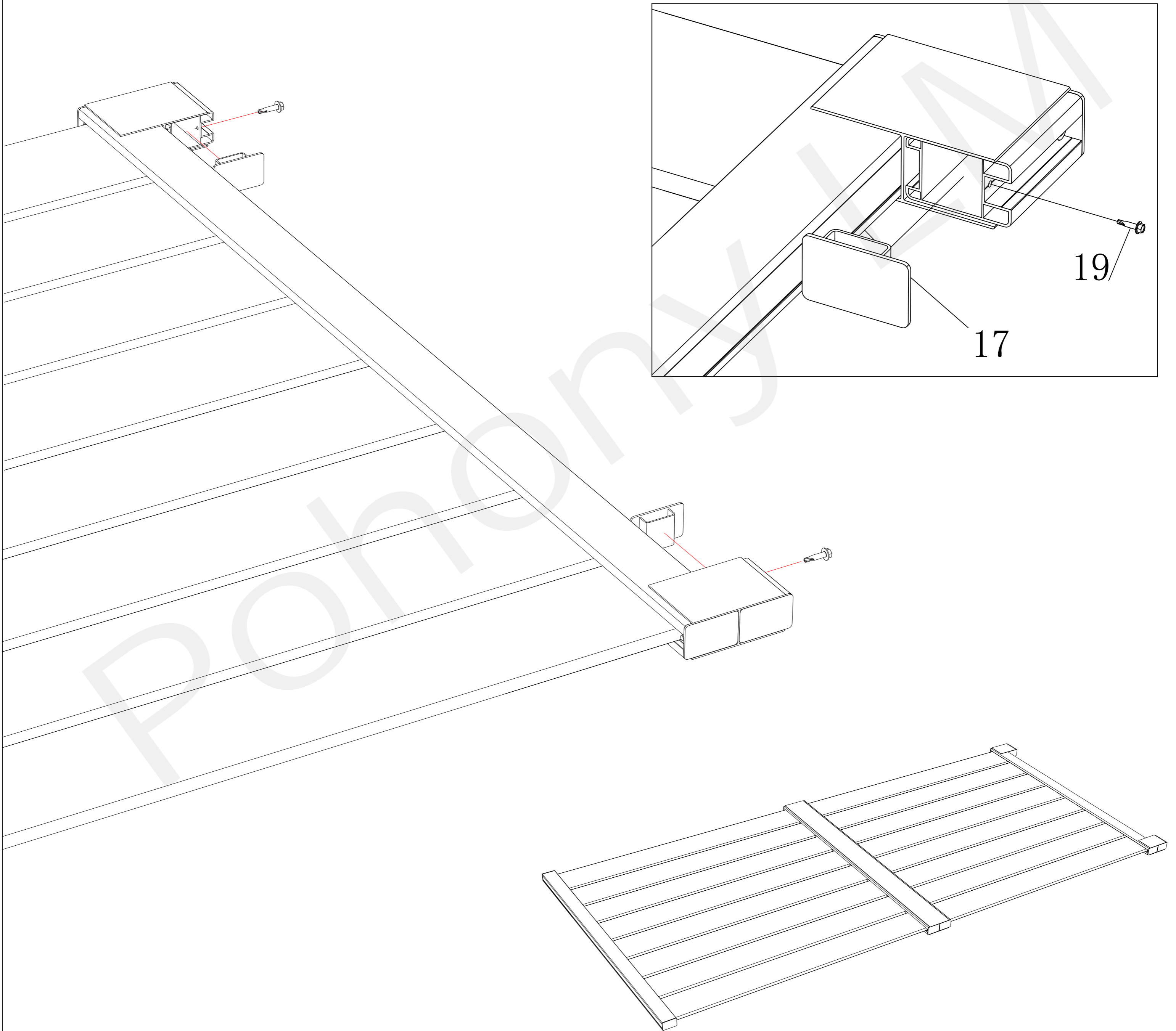


NO.	BESCHREIBUNG	QUANTITY
18		4
16		2
4		2
6		2

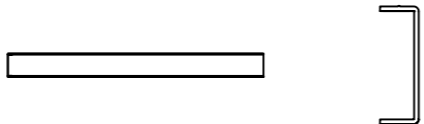


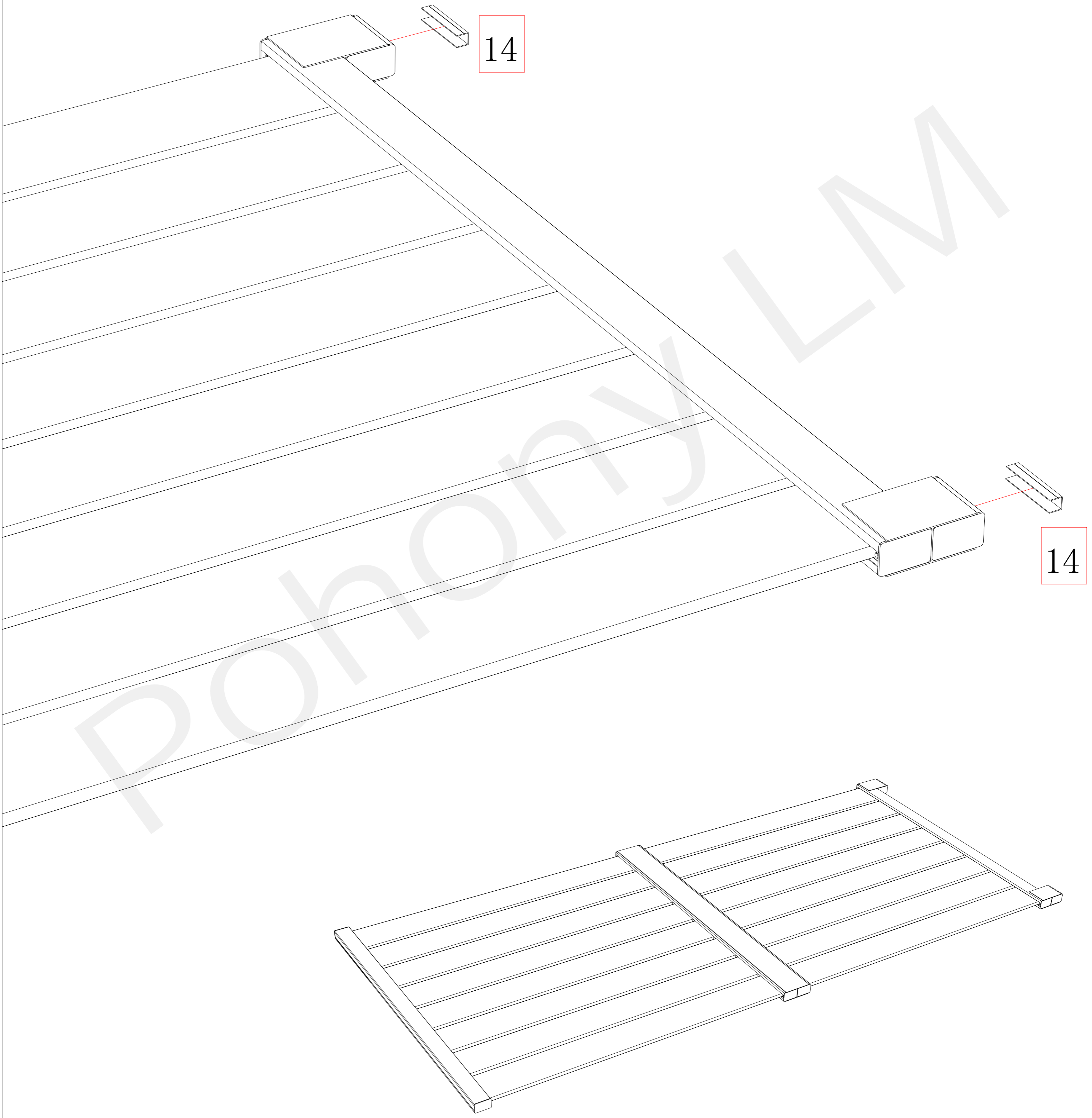


NO.	BESCHREIBUNG	QUANTITY
17		2
19	 M4 x 16	2

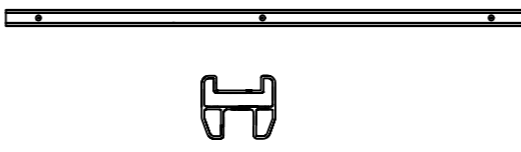
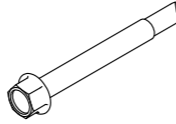


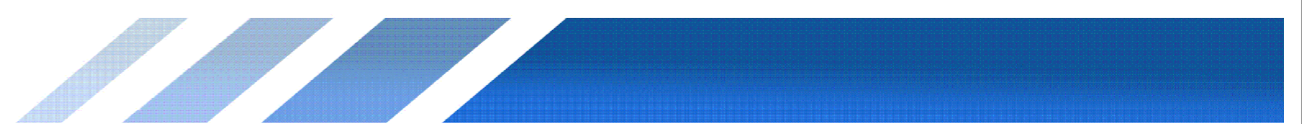
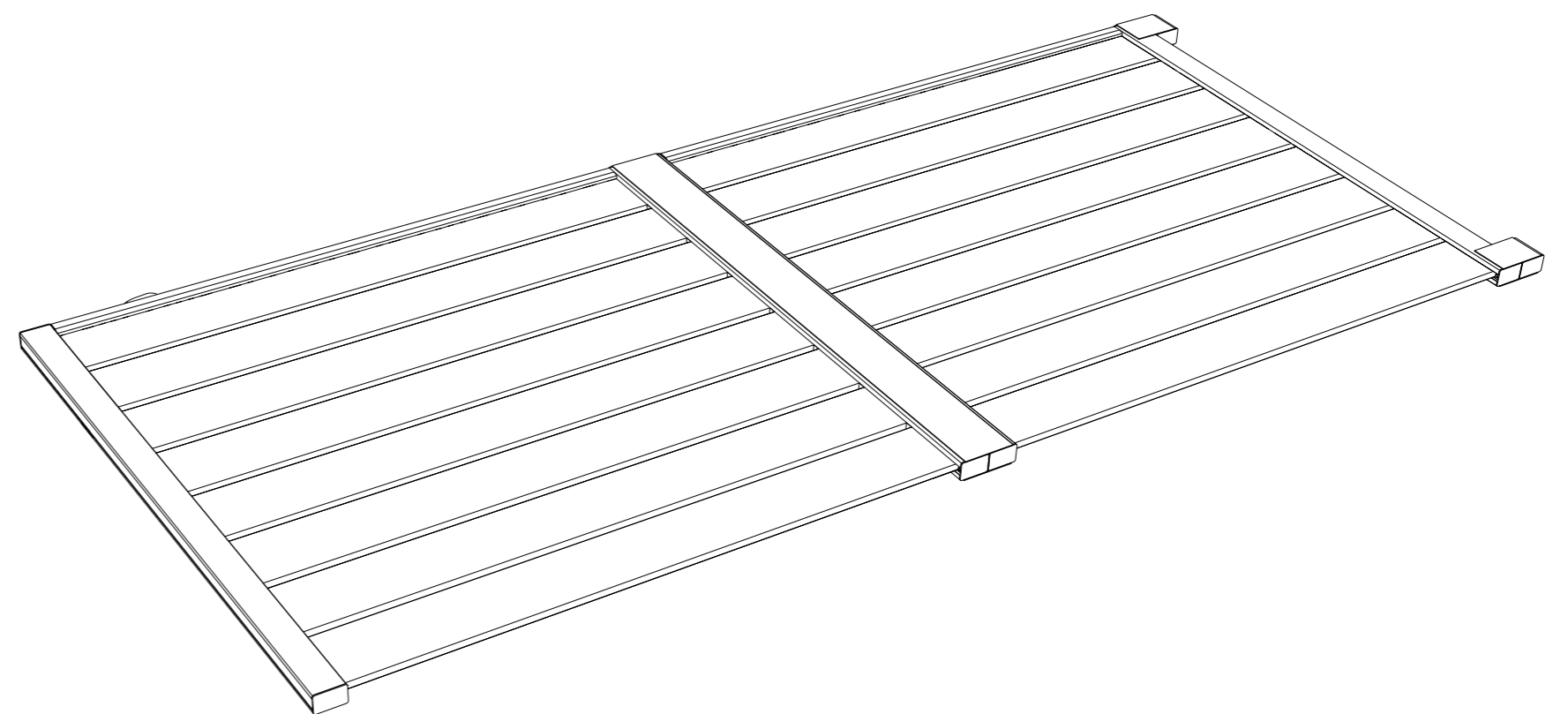
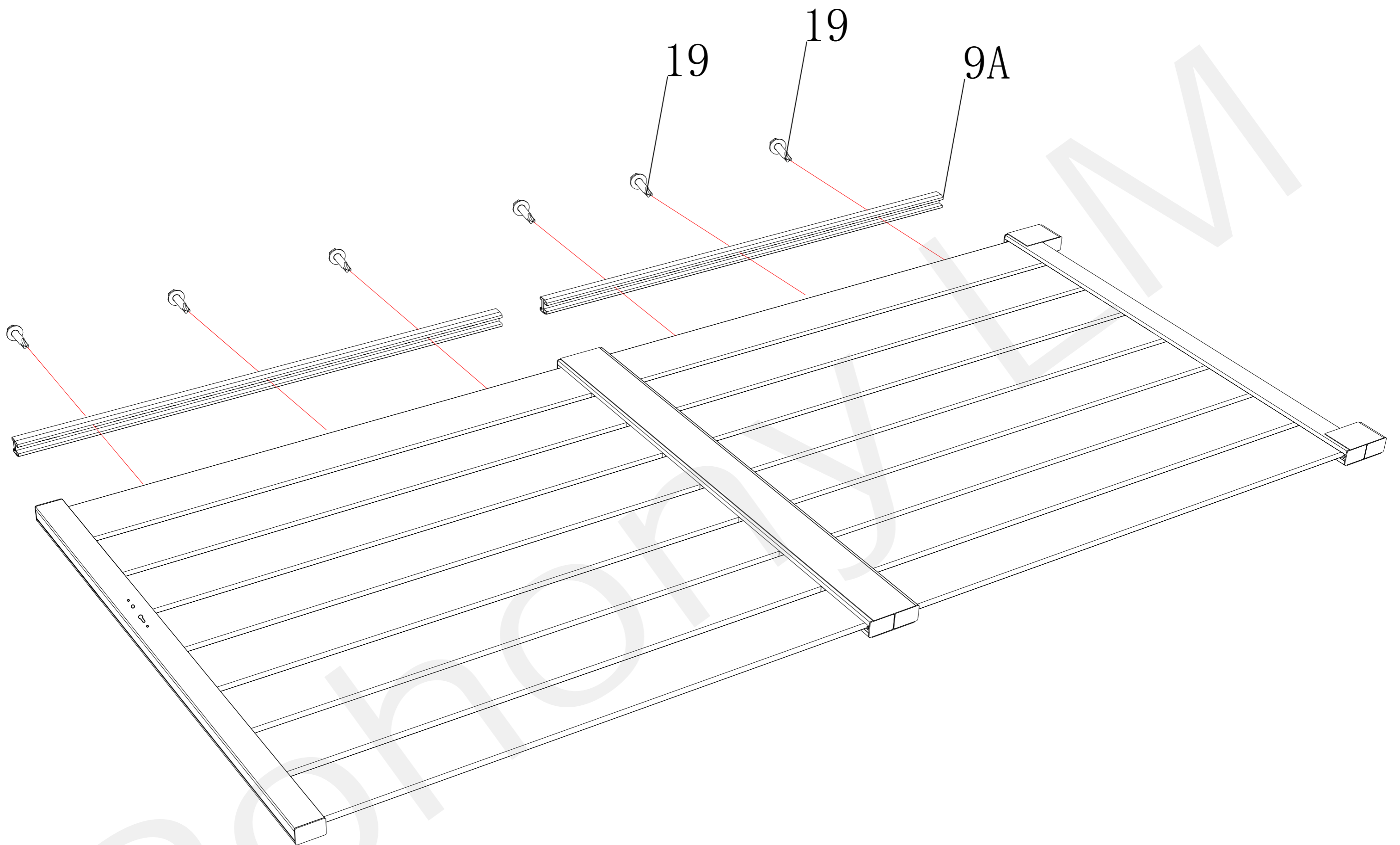


NO.	BESCHREIBUNG	QUANTITY
14	 100mm	2

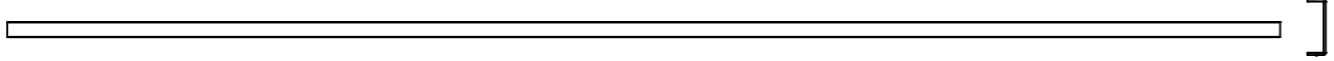


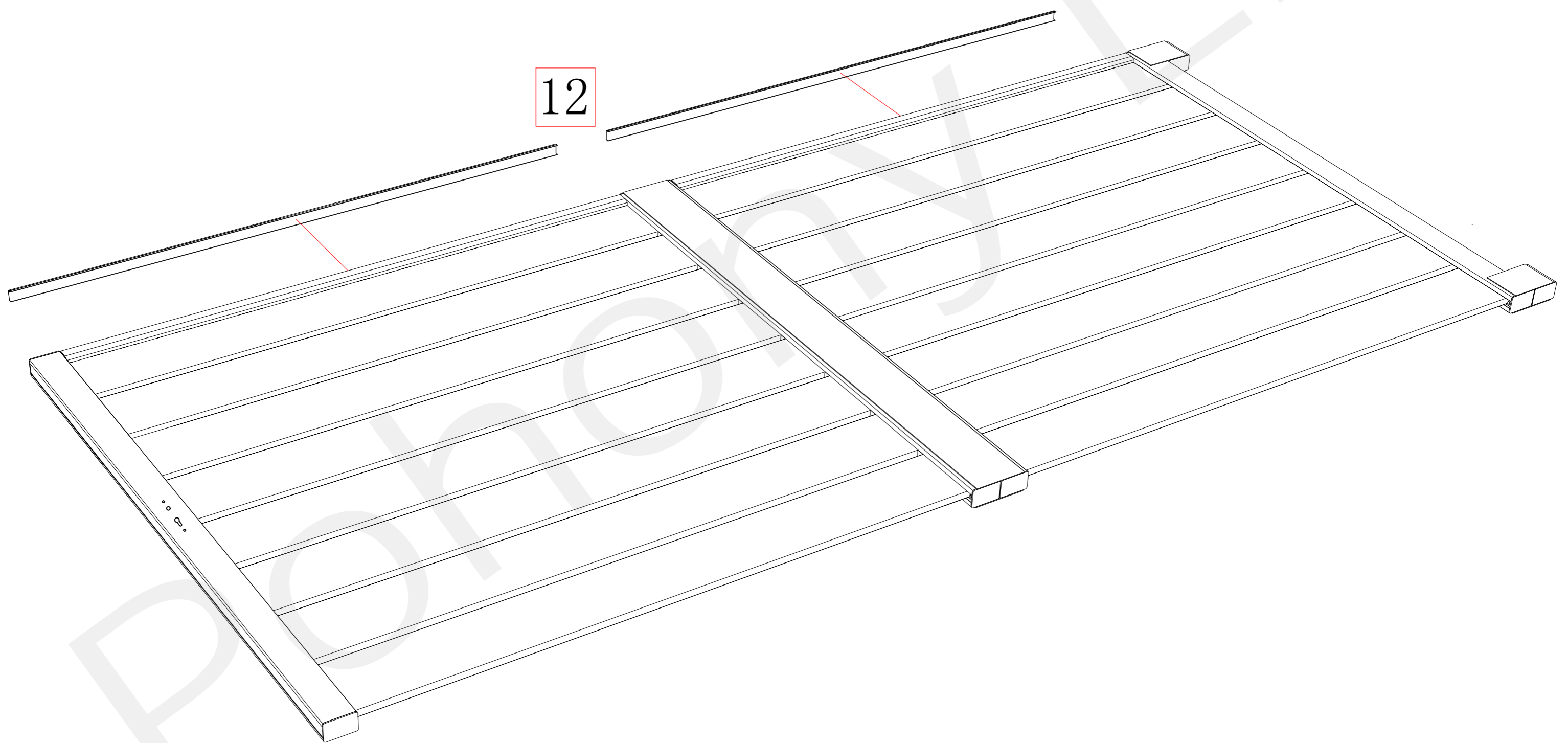


NO.	BESCHREIBUNG	QUANTITY
9A		2
19	 M4 x 16	6

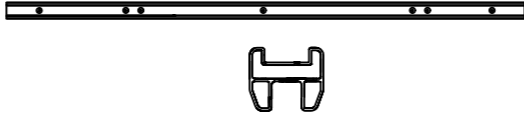
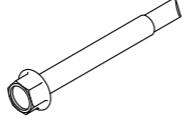


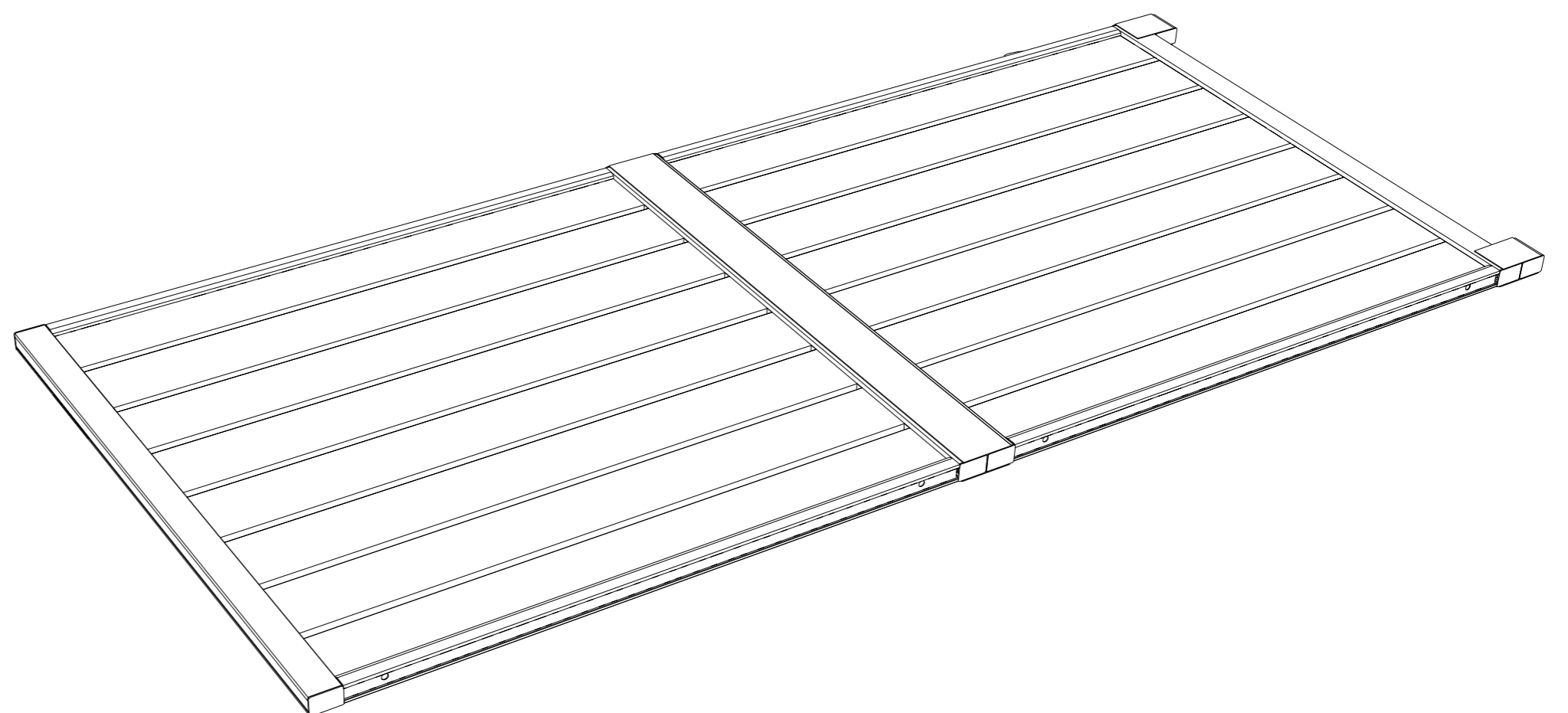
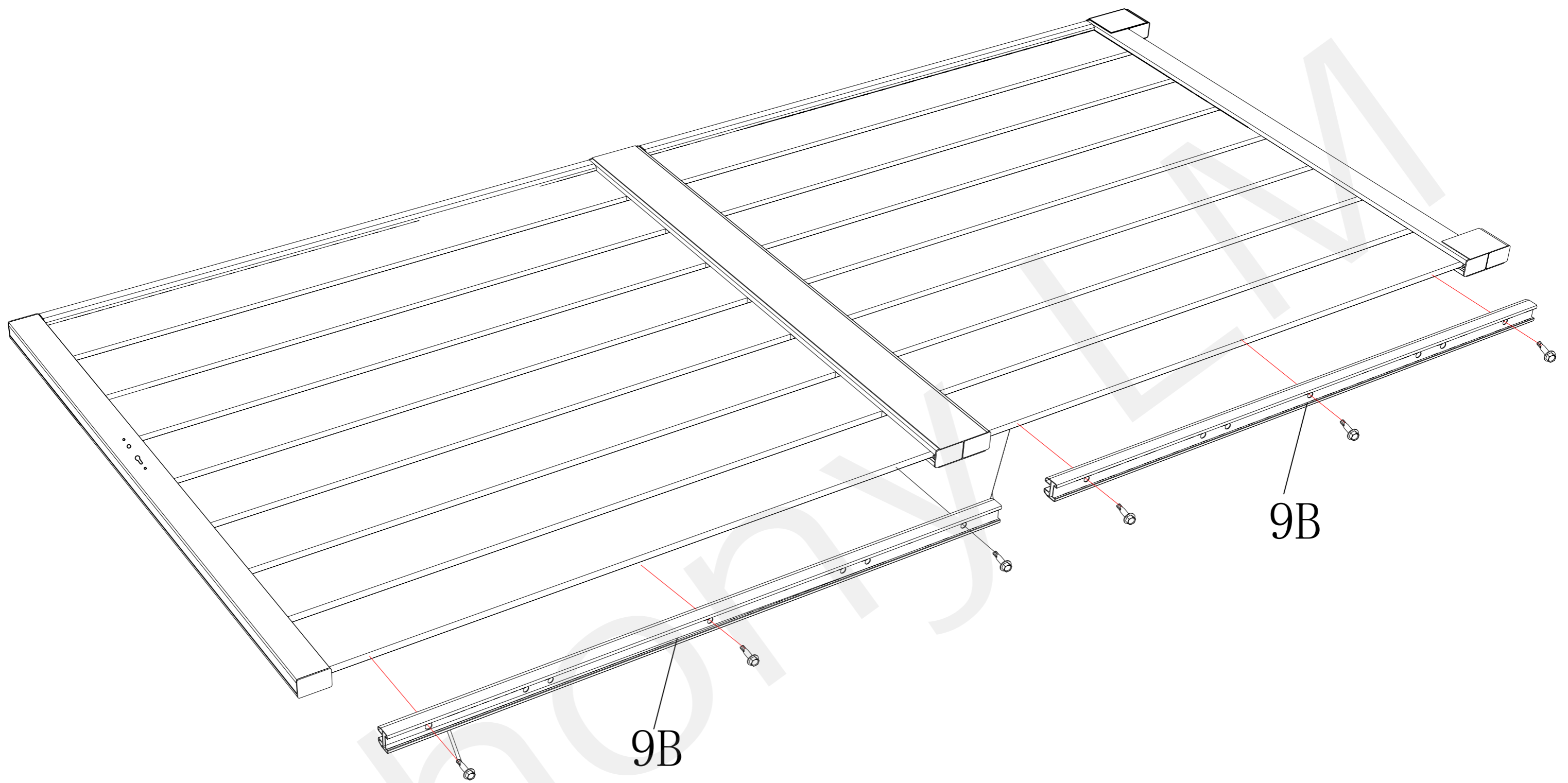


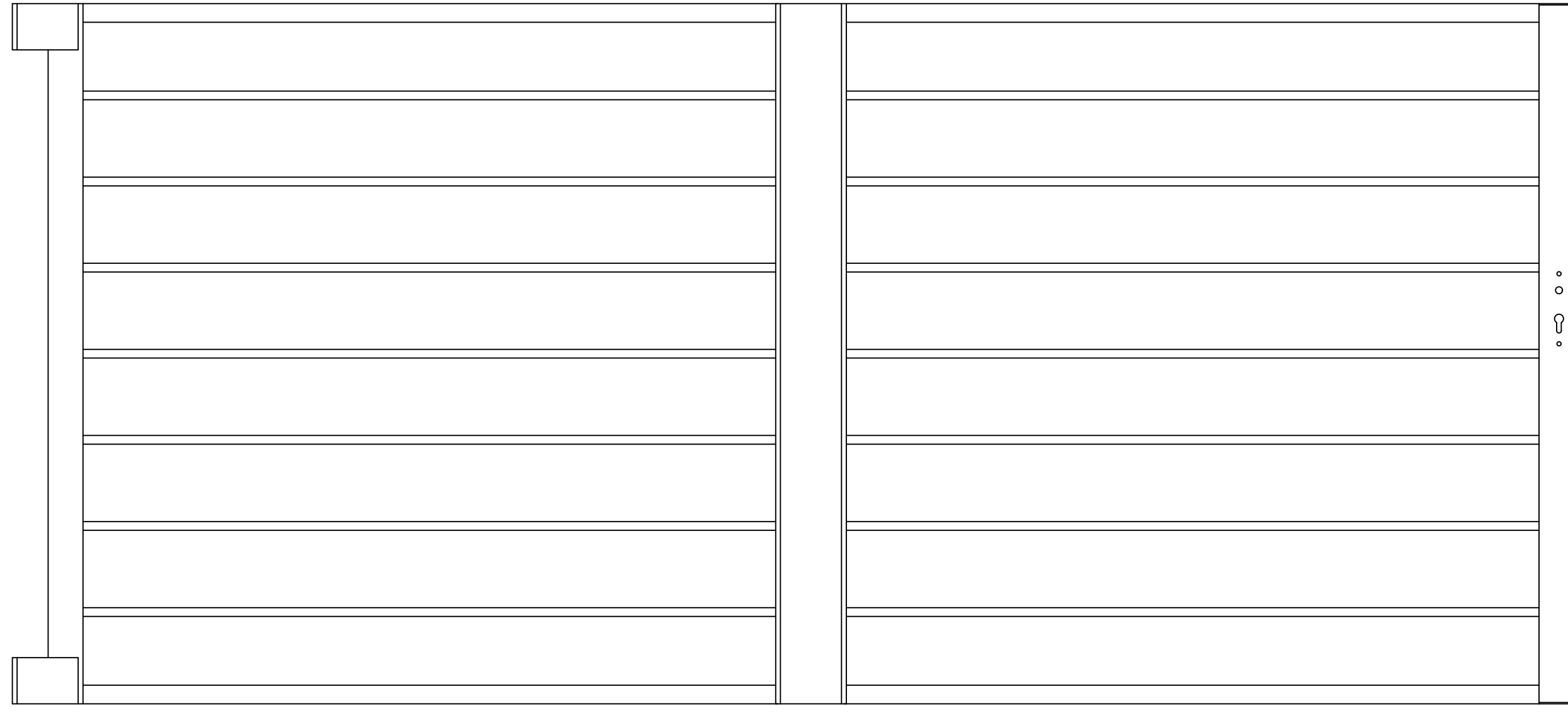
NO.	BESCHREIBUNG	QUANTITY
12		2





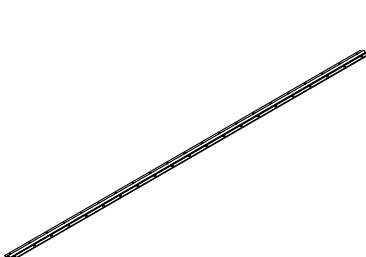
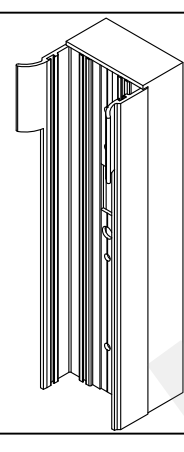
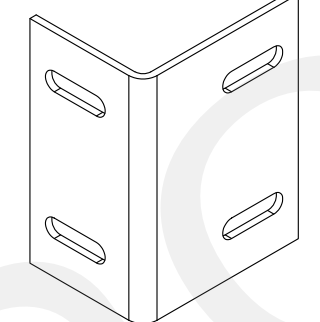
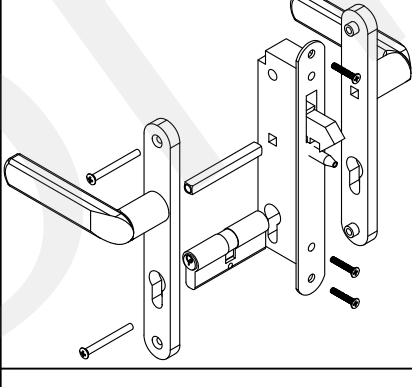
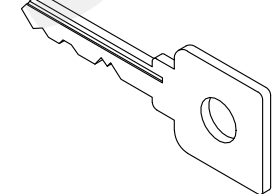
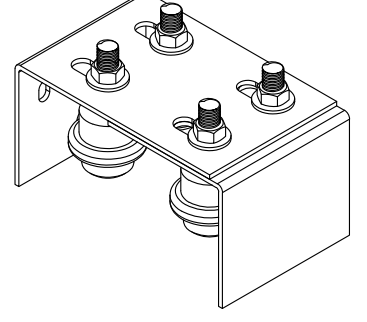
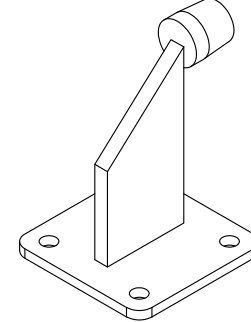
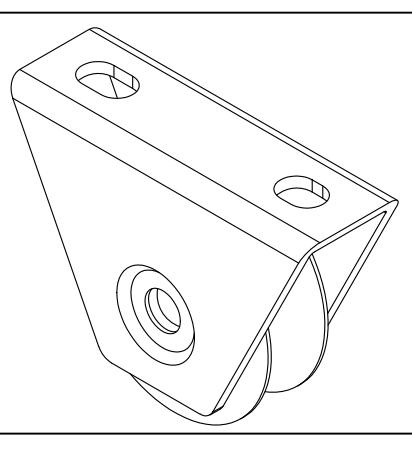
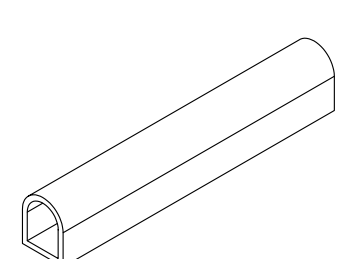
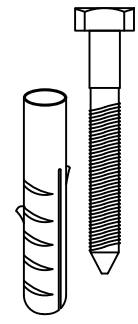
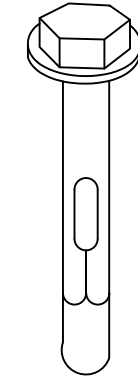
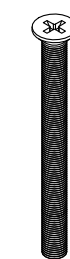
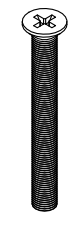
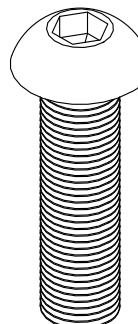
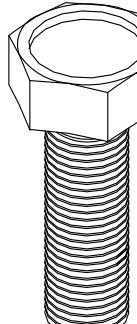
NO.	BESCHREIBUNG	QUANTITY
9B		2
19	 M4 x 16	6

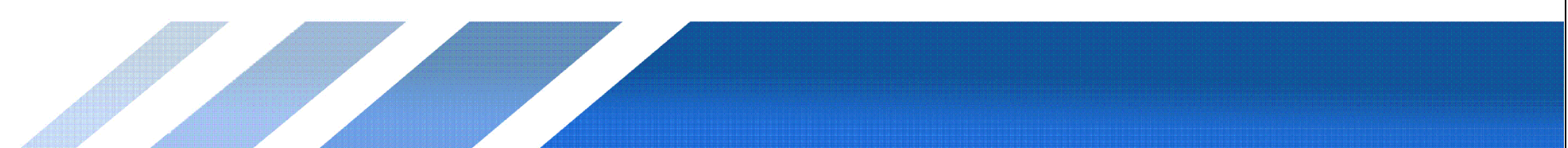


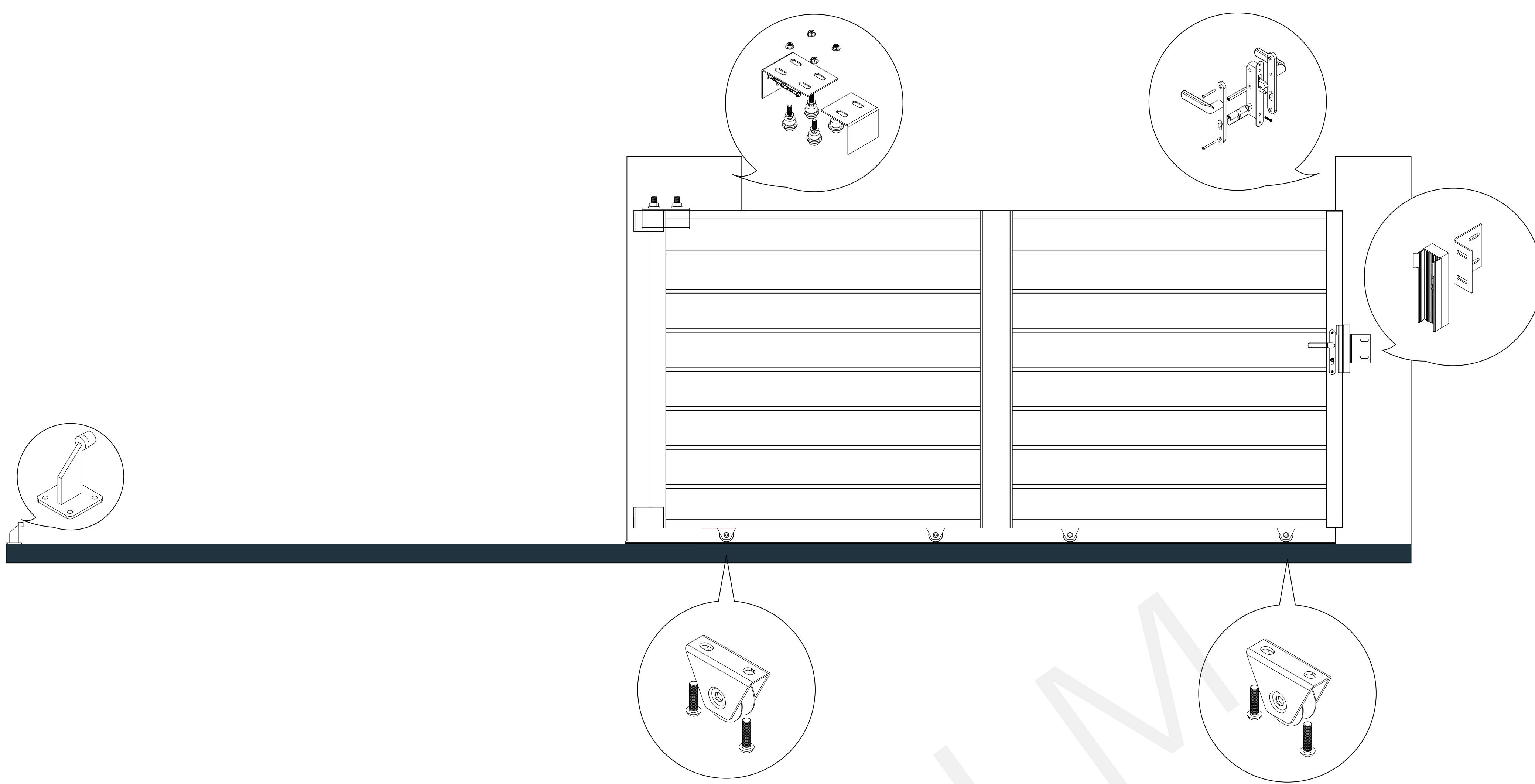


[B]*1

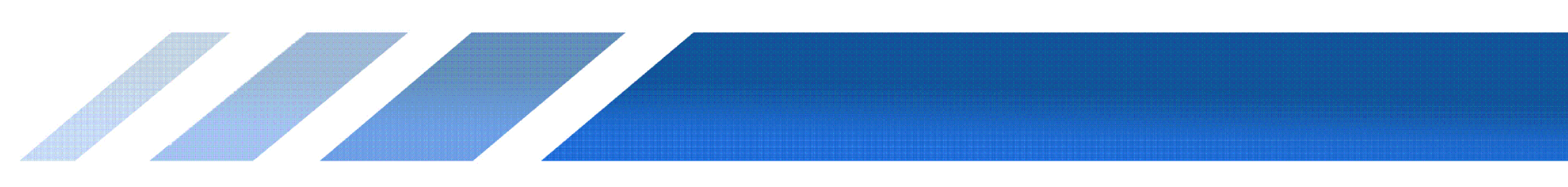
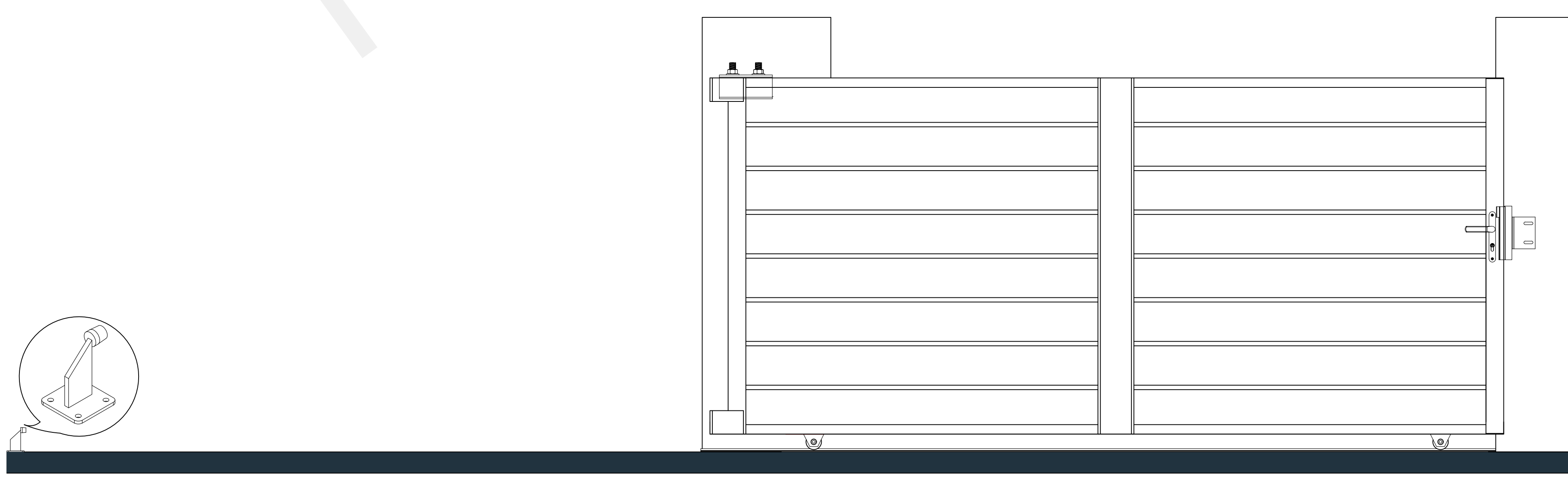
[A]*1

NO.	32	33	34	35	39	40	41	42
SECTION								
QTY	X	1	1	1	3	1	1	4
NO.	43	44	45	46	47	48	49	
SECTION								
QTY	2	X	7	2	3	8	2	



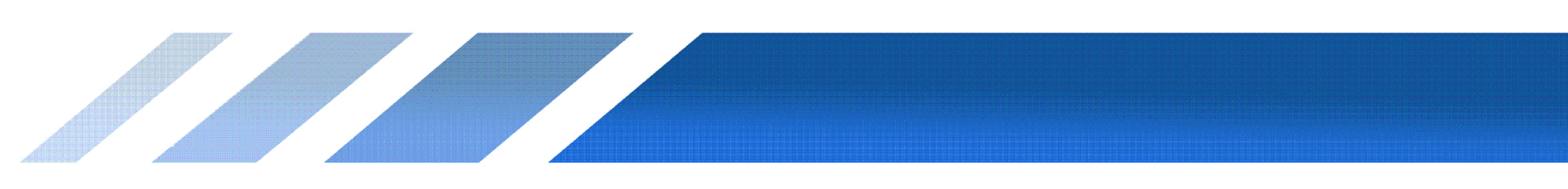
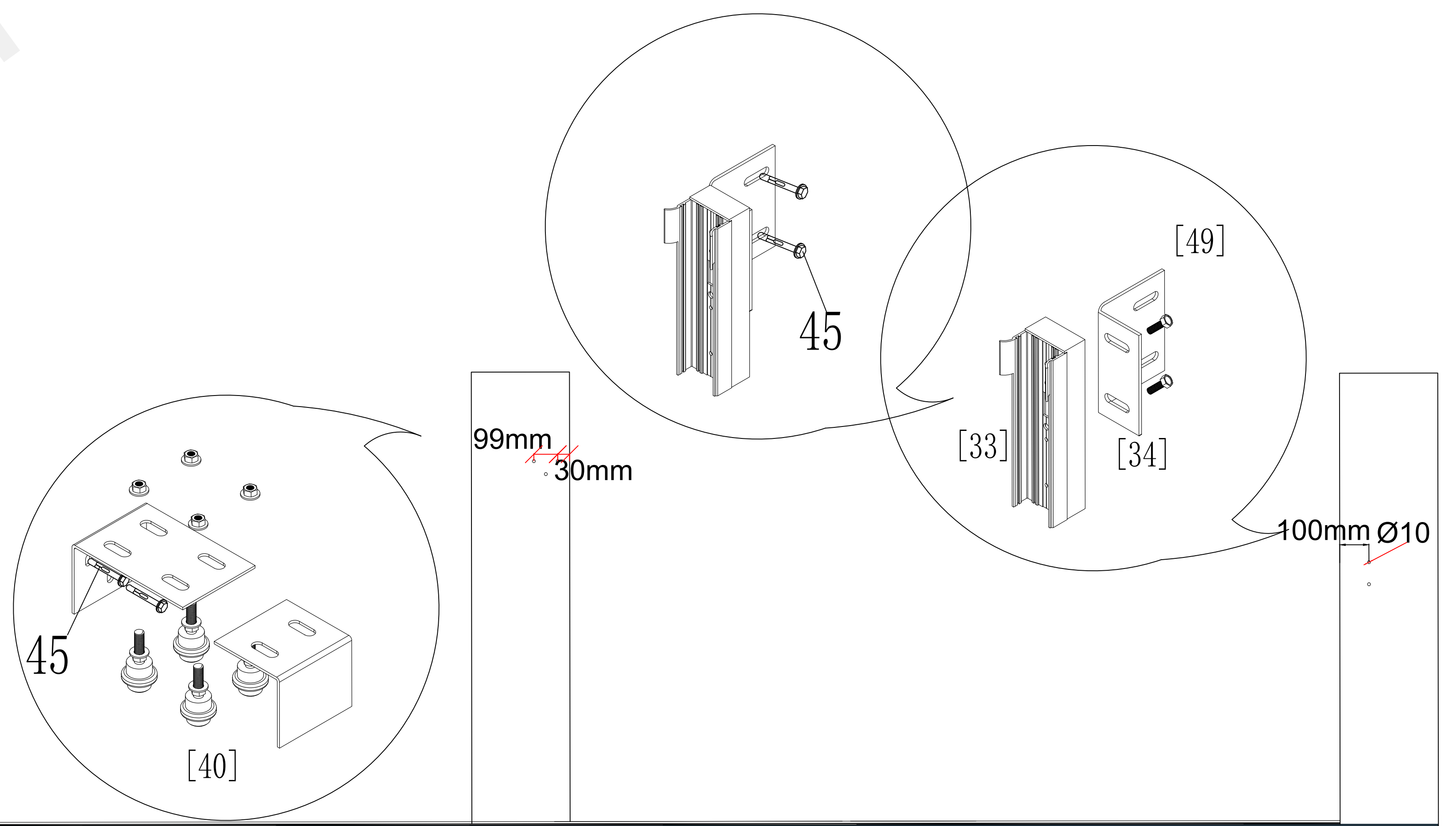
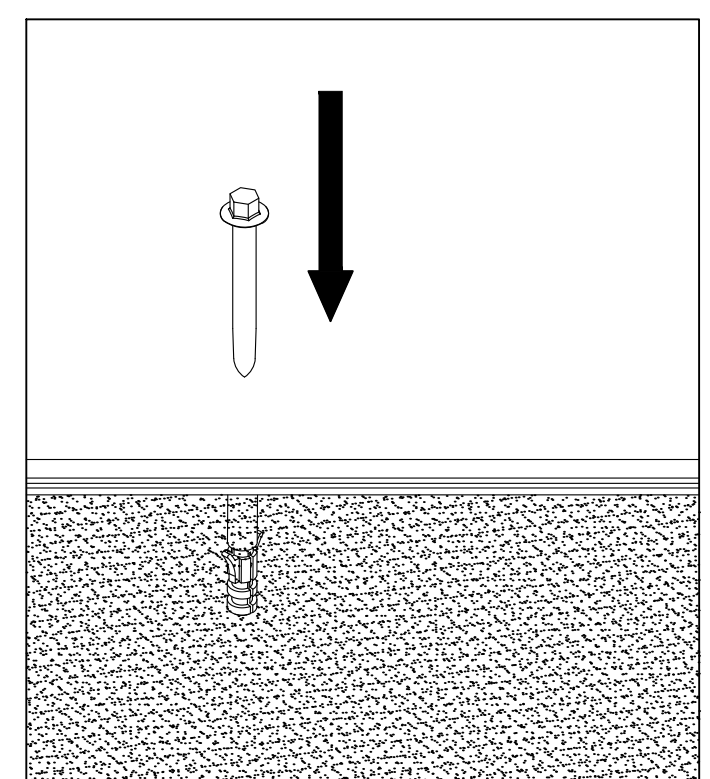
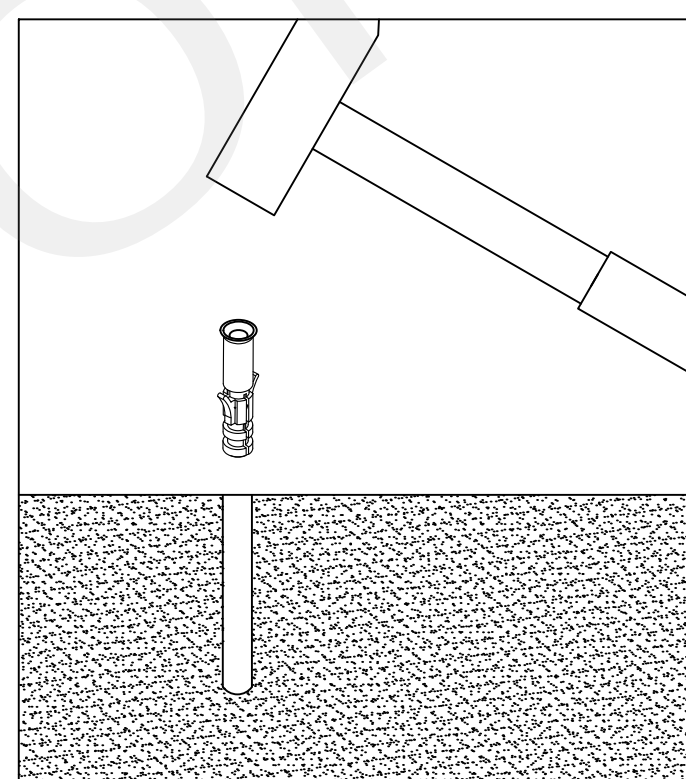
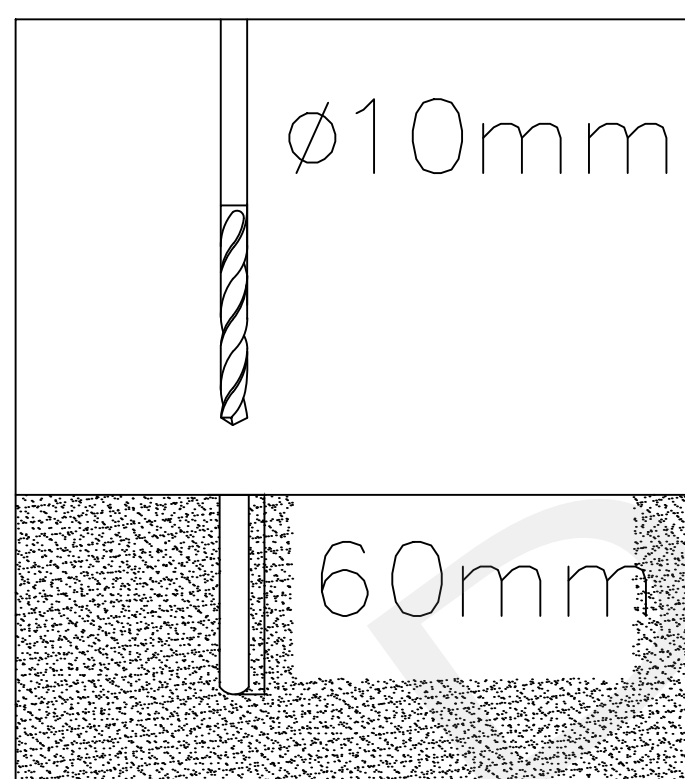
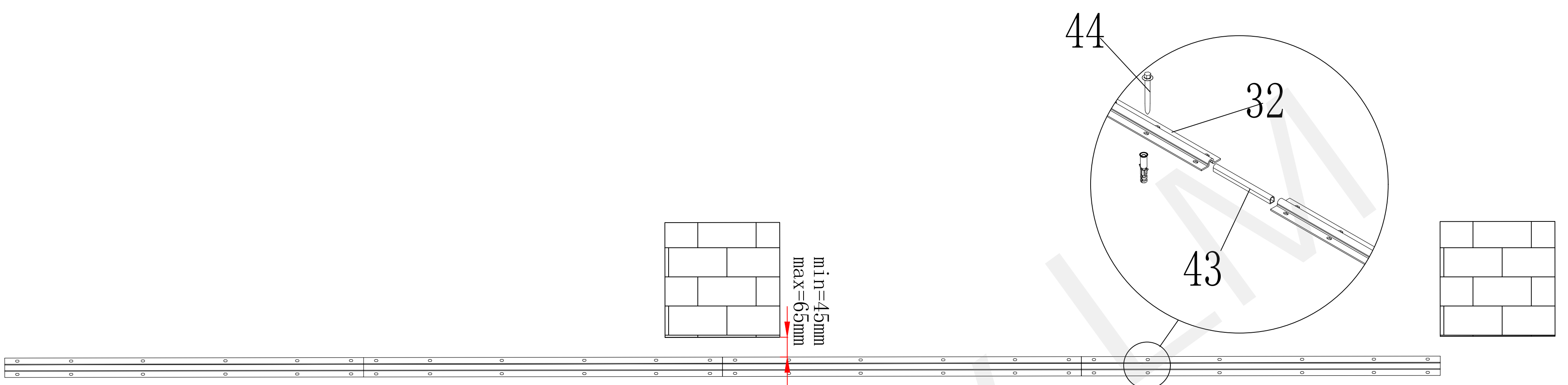


Pohony LM

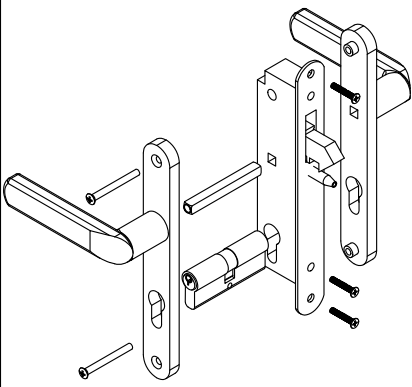
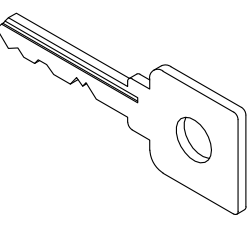
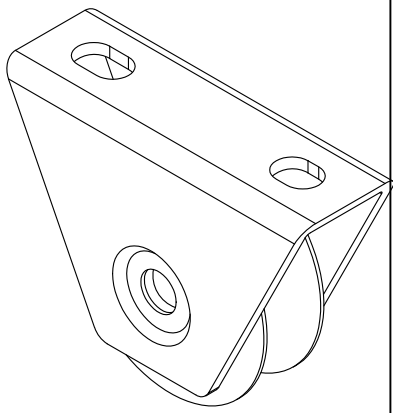


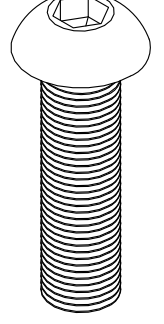


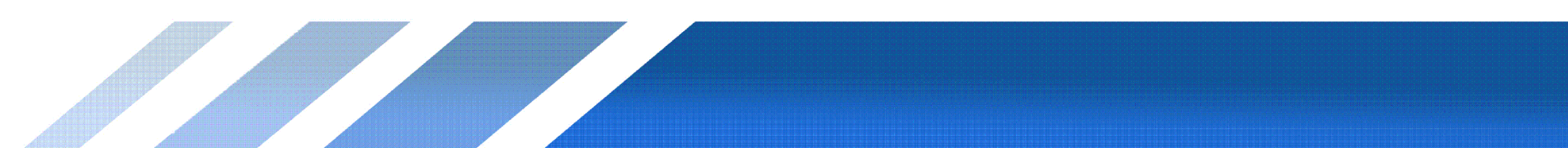
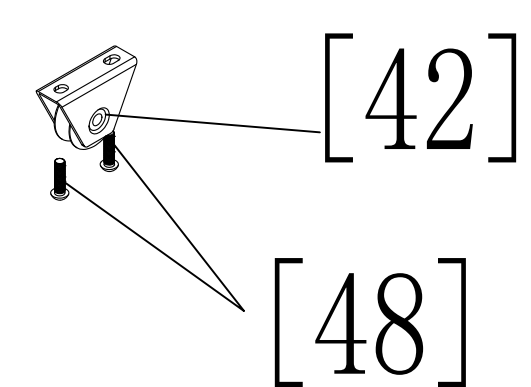
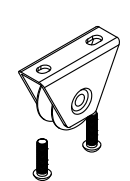
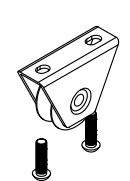
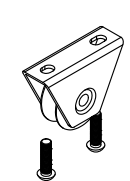
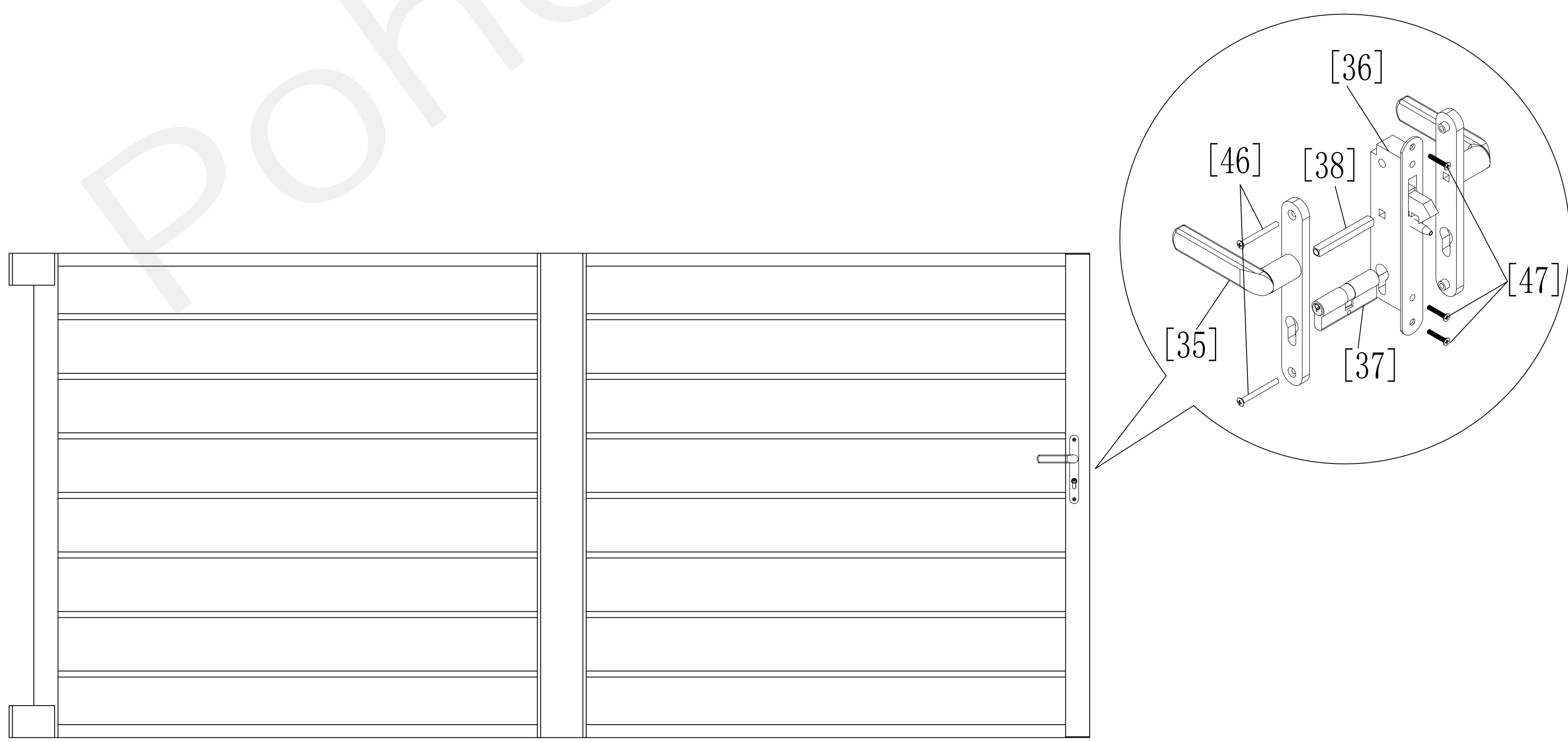


NO.	32	33	34	43	44	40	45	49
SECTION								
QTY	2	1	1	1	28	1	5	2

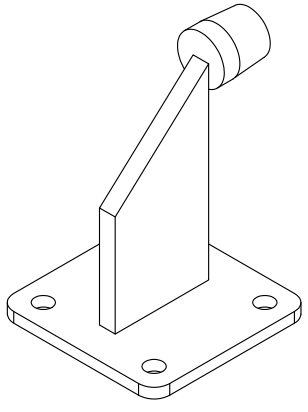
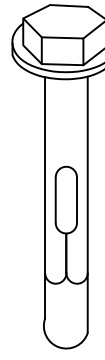




NO.	35	39	42	46	47	48
SECTION						
QTY	1	3	4	2	3	8





NO.	41	45
SECTION		
QTY	1	4

