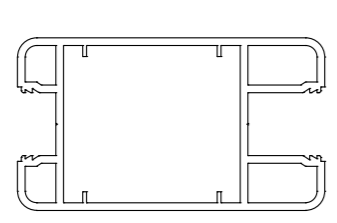
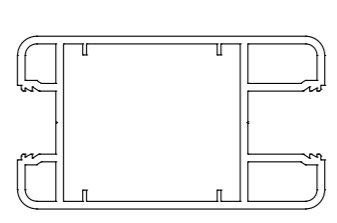
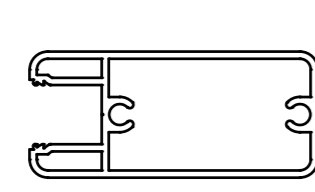
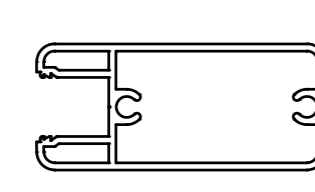
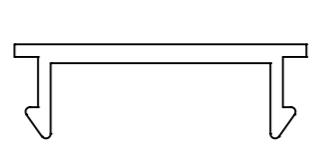
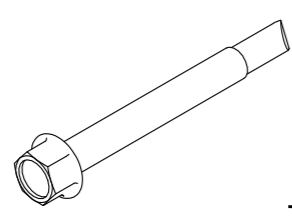
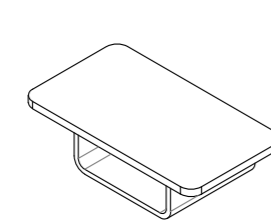
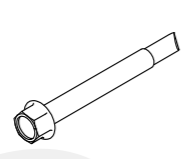
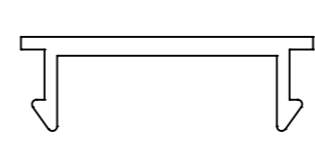
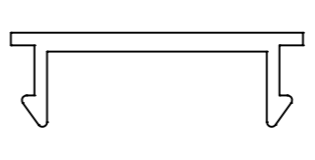

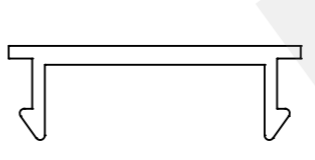



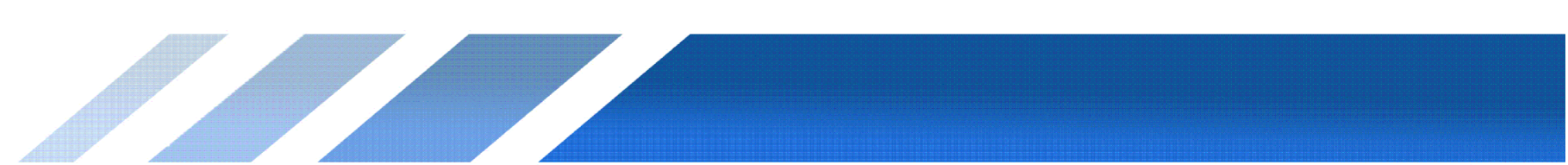


Carton 1/3

Drawings	Qty
 3292mm	1
 3292mm	1
 1805.5mm	1
 1805.5mm	1
 31mm	2
 M6.3*75	8
 	4
 M4*16	4

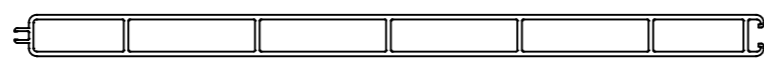
Drawings	Qty
 756mm	1
 1056mm	1
 1304mm	1
 3292mm	1
 296mm	2

3000*1829.5



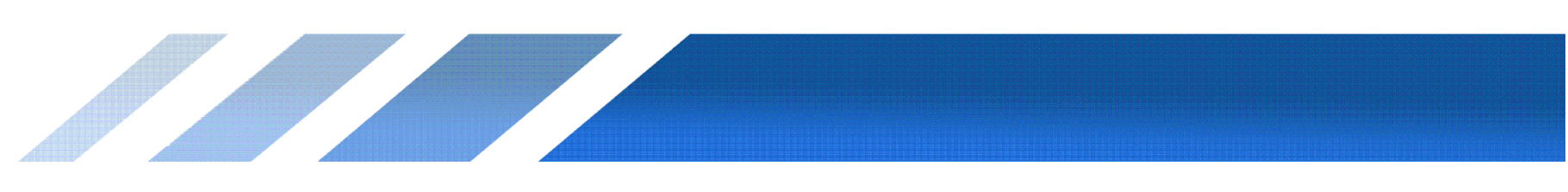


Carton 2/3

Drawings	Qty
 2845mm	6

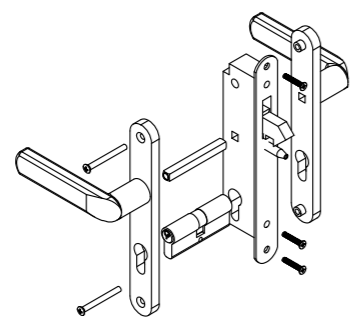
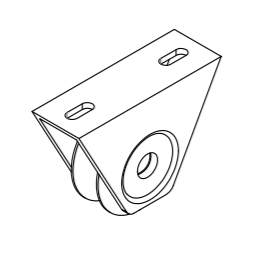
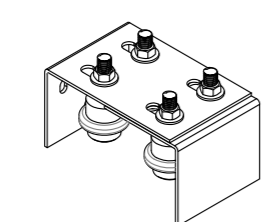
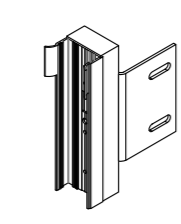
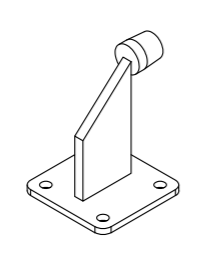
Pohony LM

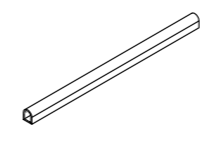
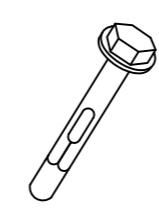
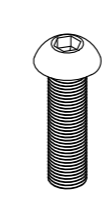
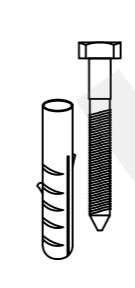
3000*1829.5



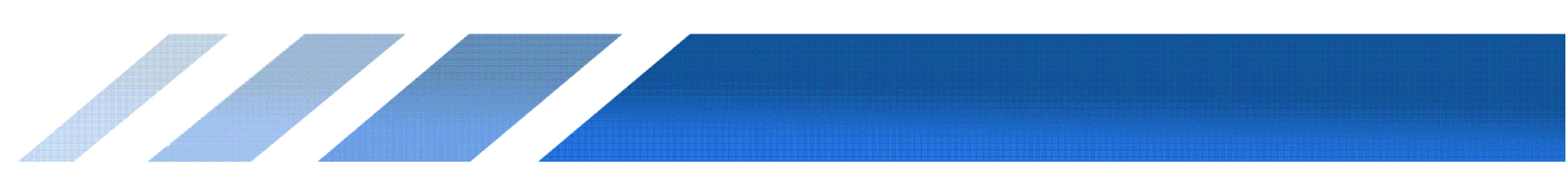


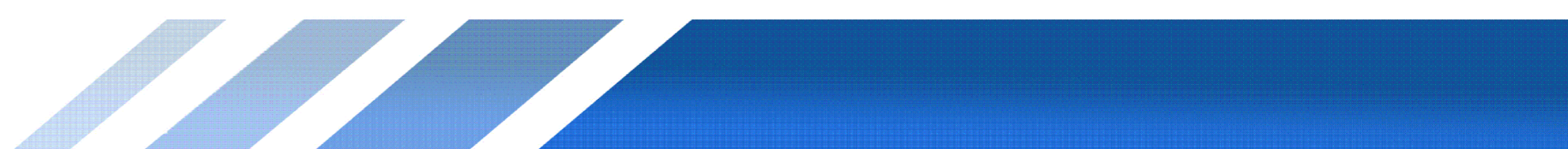
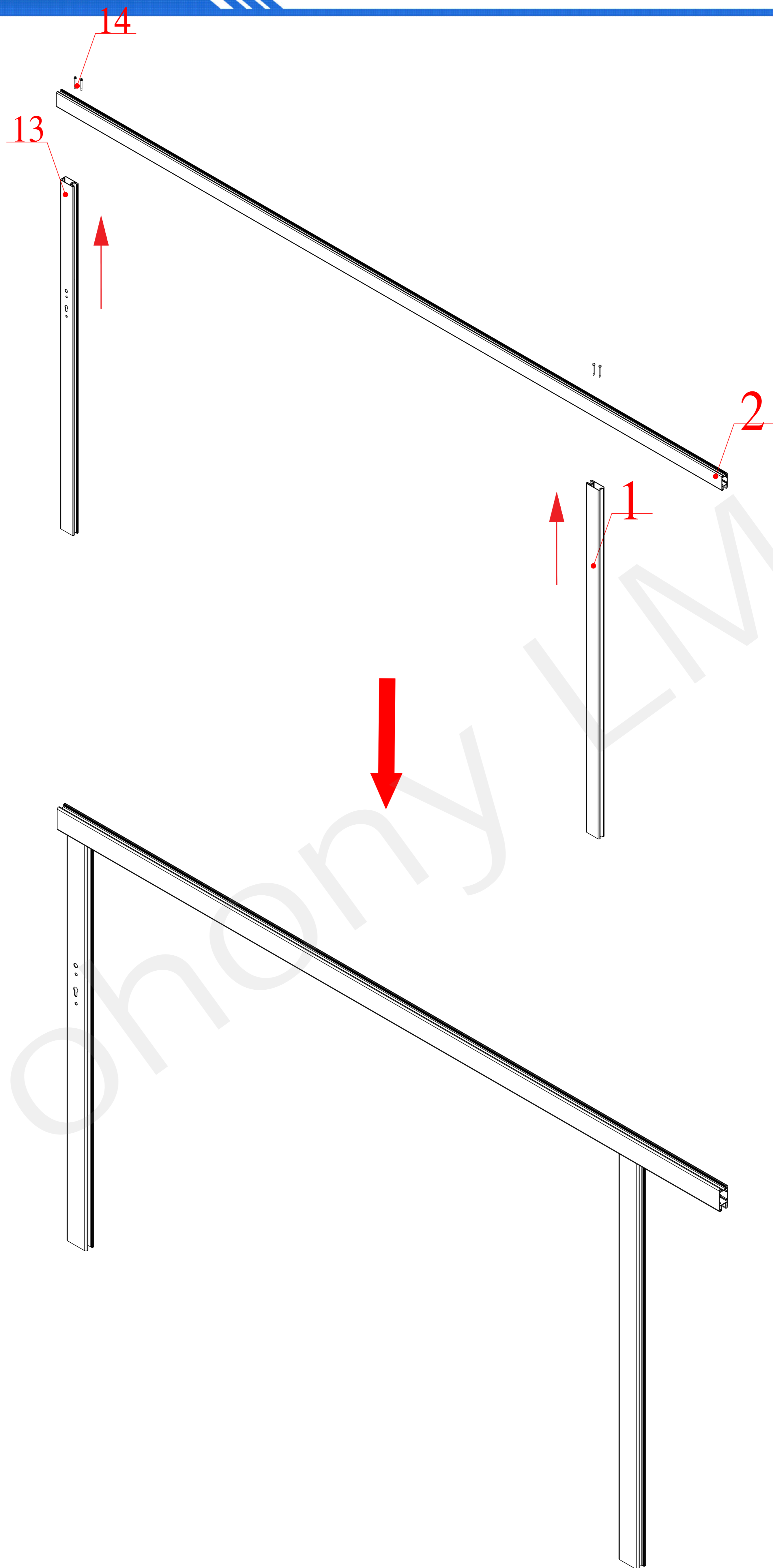
Carton 3/3

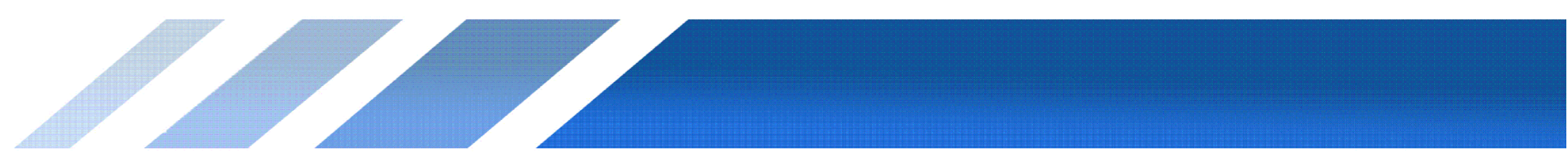
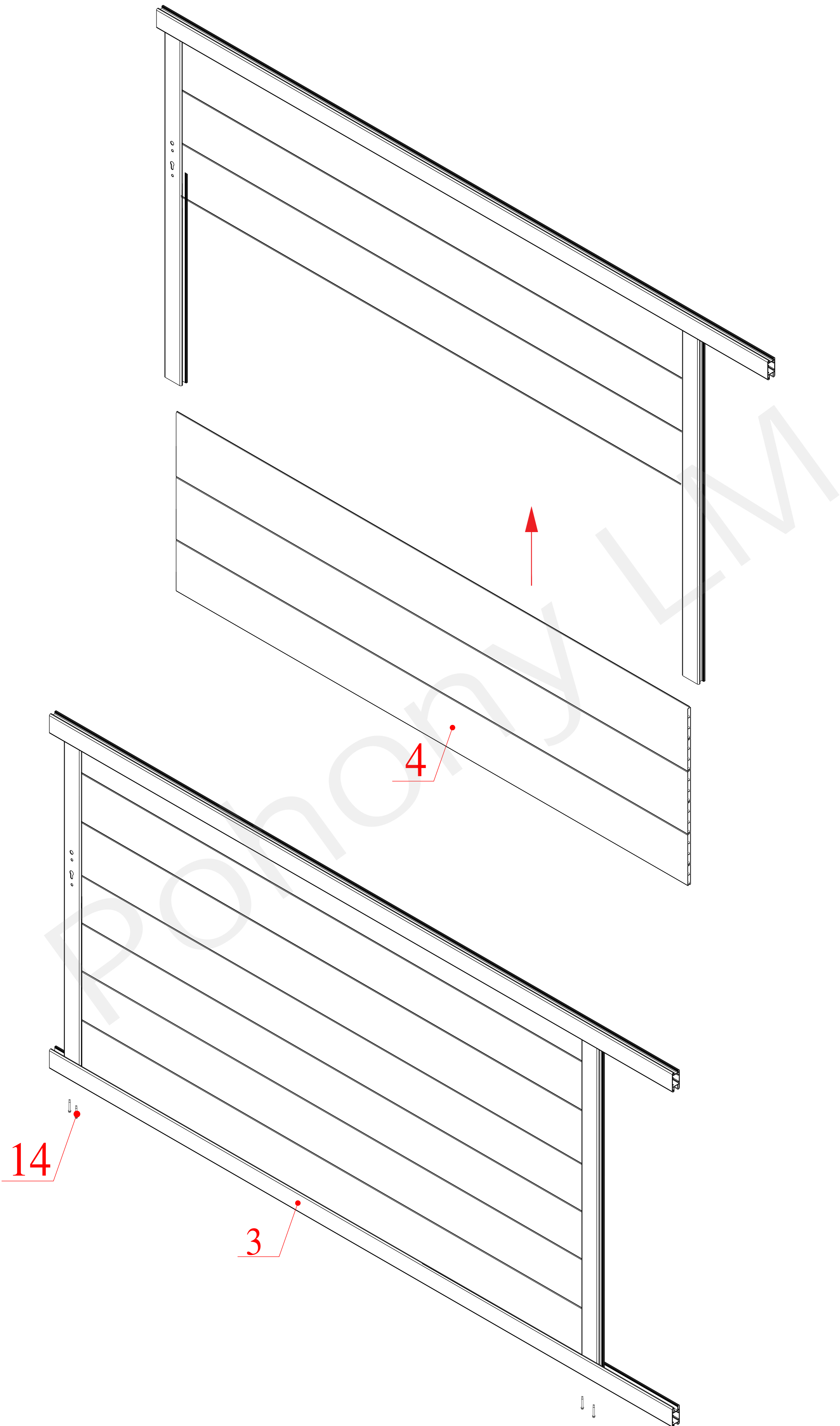
Drawings	Qty
	1
	4
	1
	1
	1

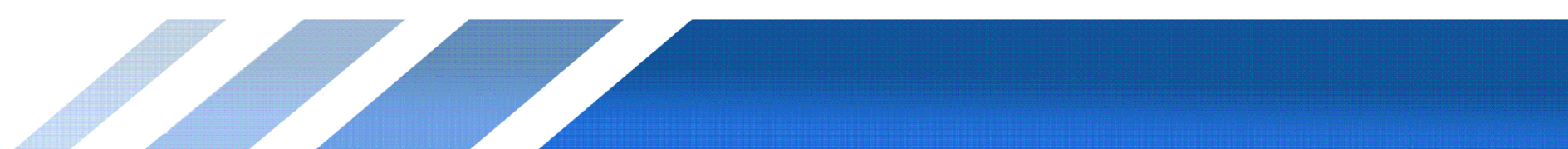
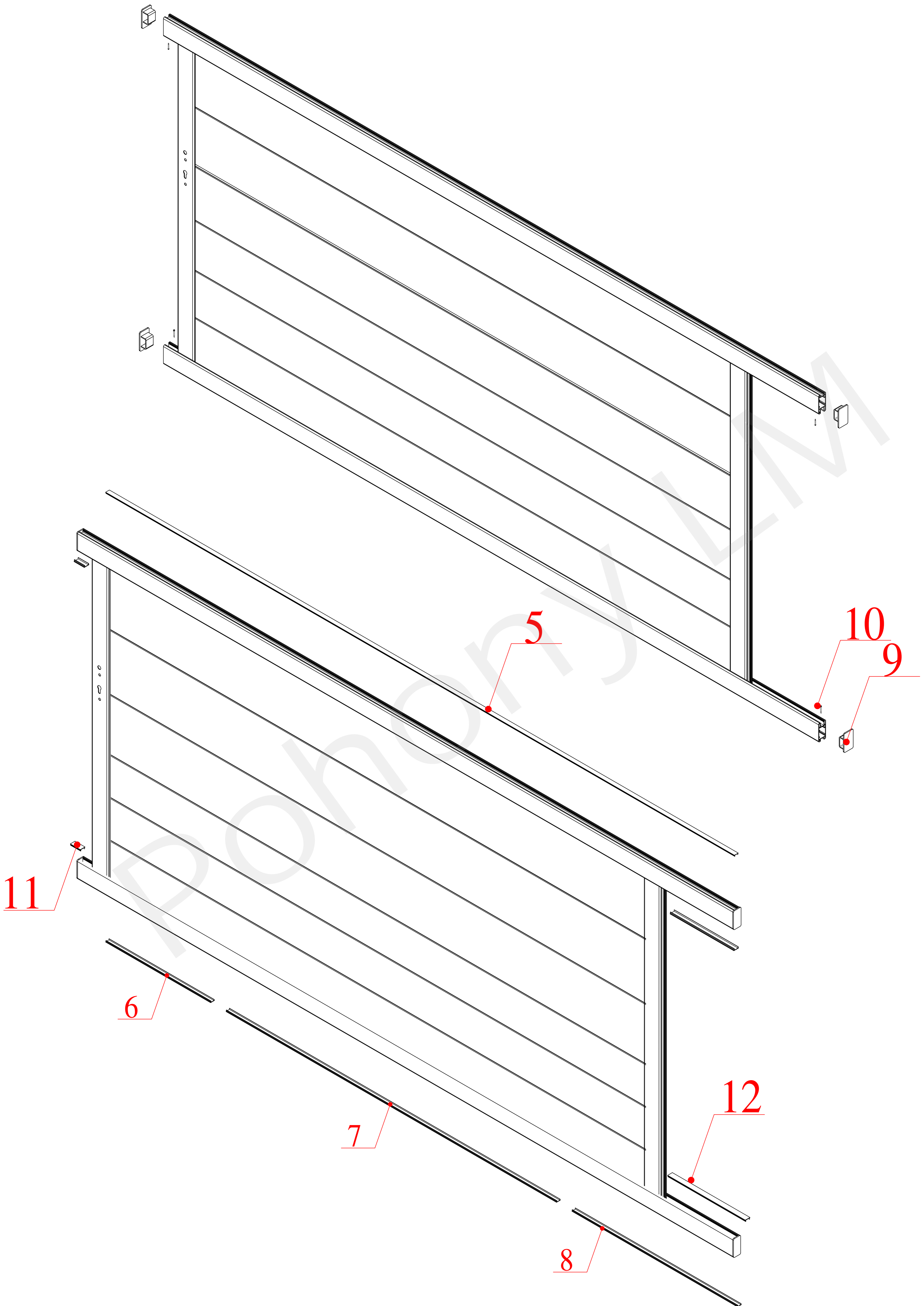
Drawings	Qty
	1
 M8*60	9
 M8*30	4
 M10*50	26

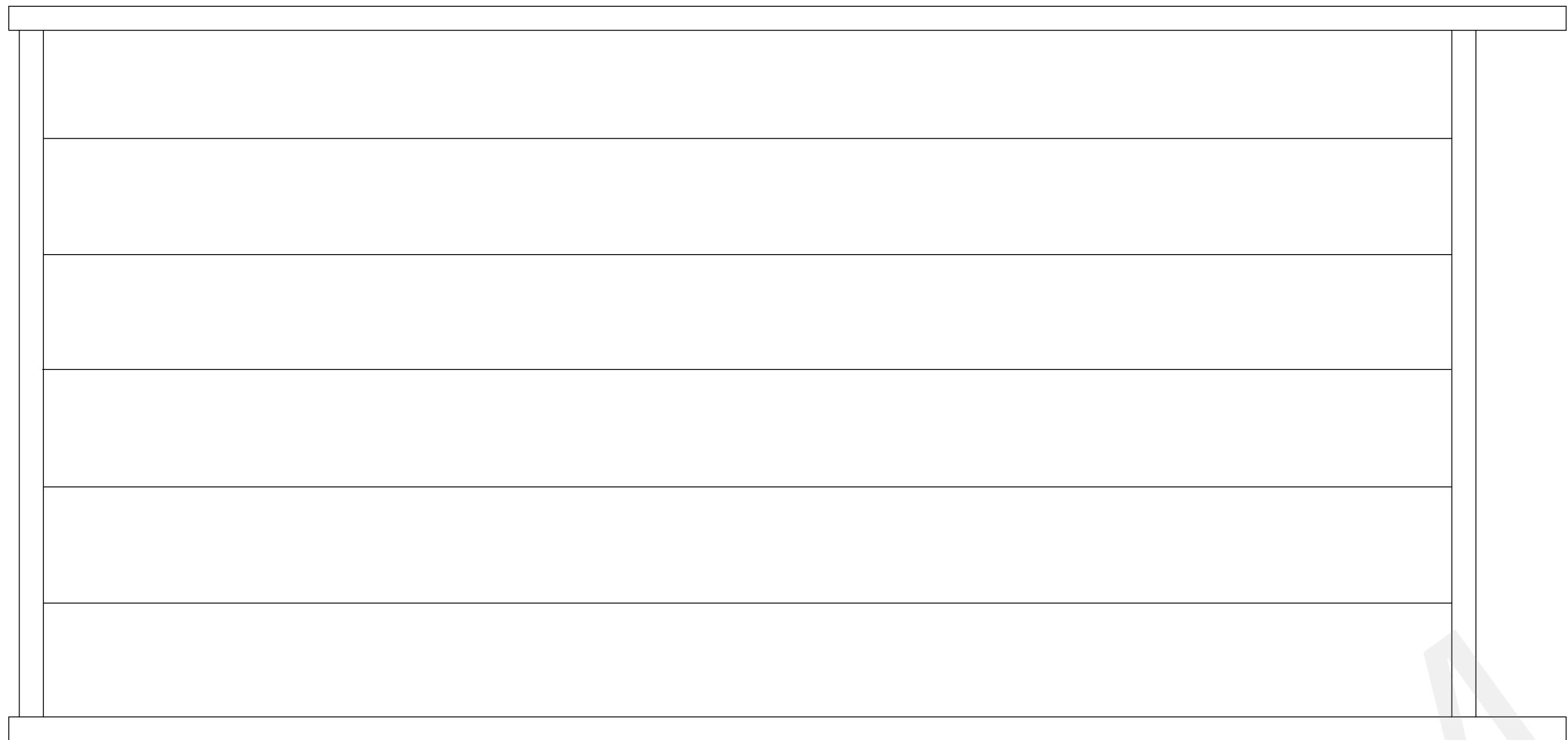
3000*1829.5



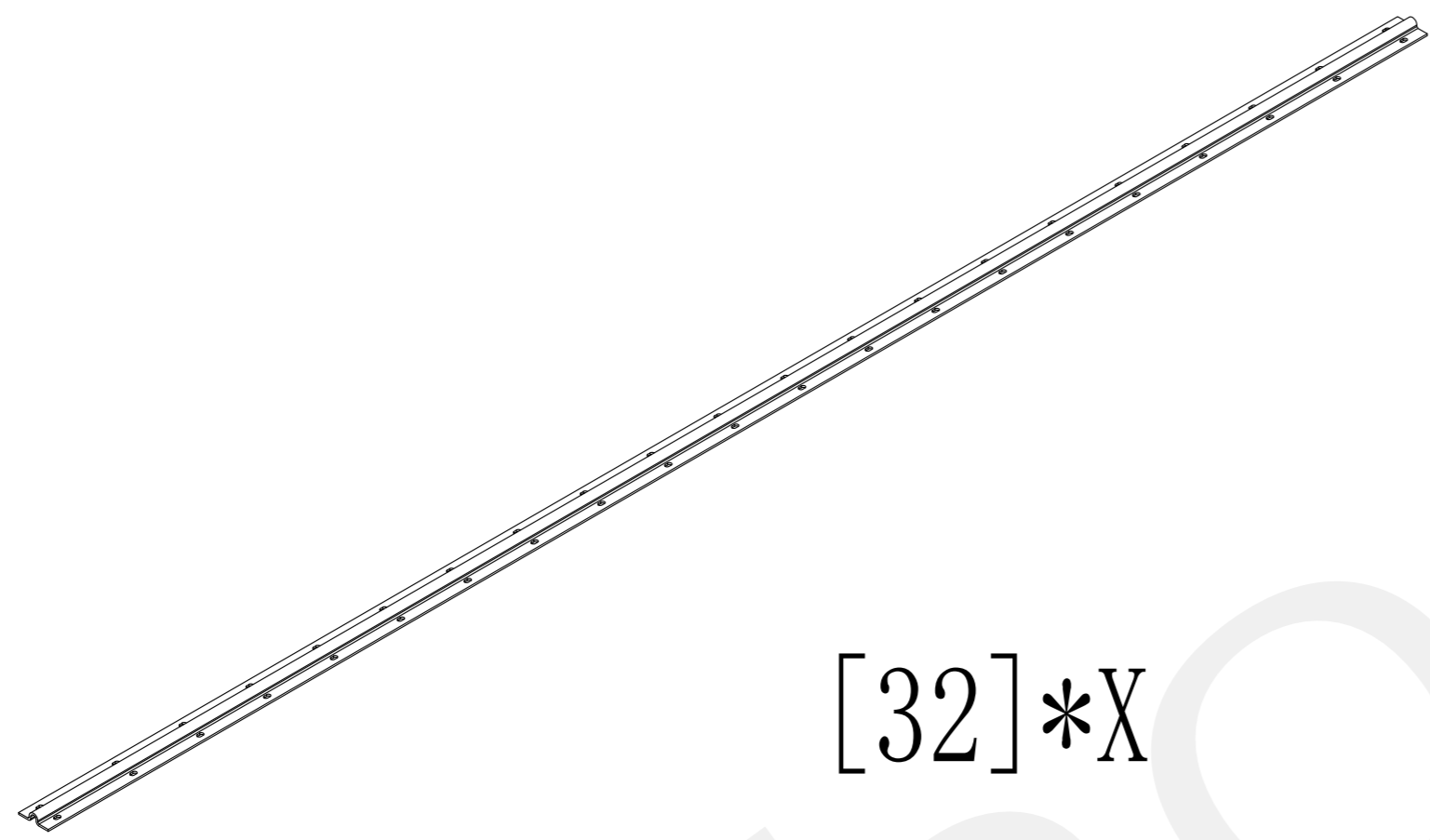




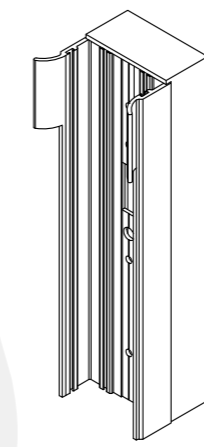




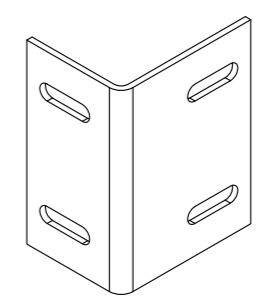
[A]*1



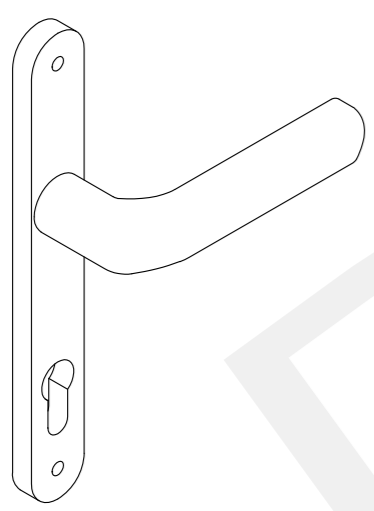
[32]*X



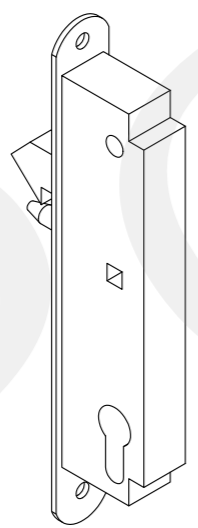
[33]*1



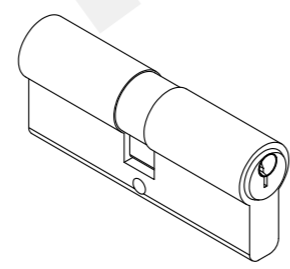
[34]*1



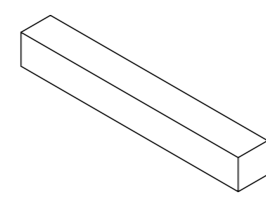
[35]*2



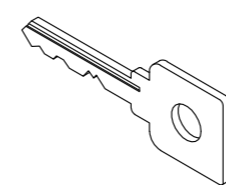
[36]*1



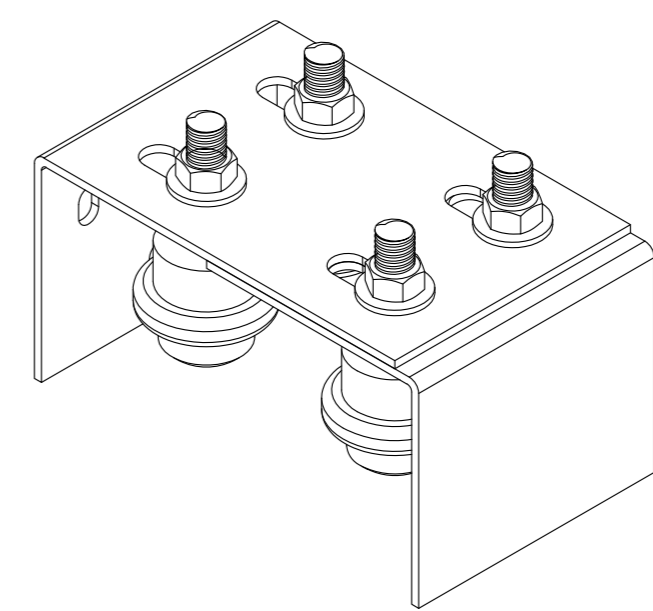
[37]*1



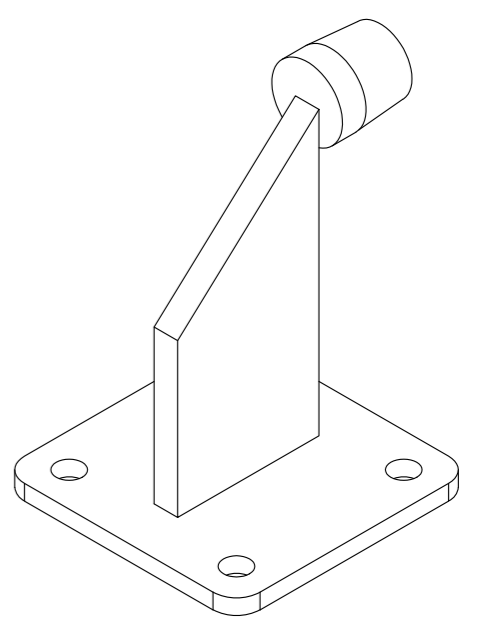
[38]*1



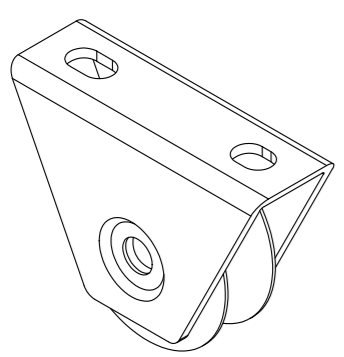
[39]*3



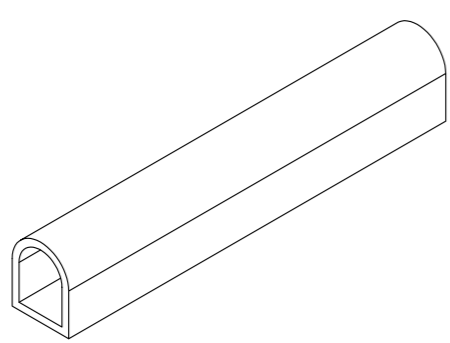
[40]*1



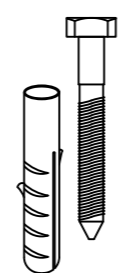
[41]*1



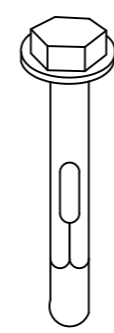
[42]*2



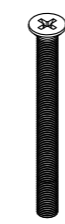
[43]*2



[44]*X



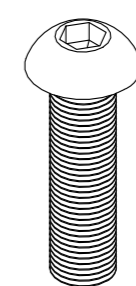
[45]*7



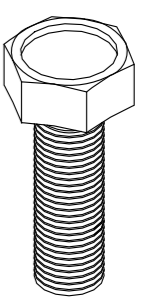
[46]*2



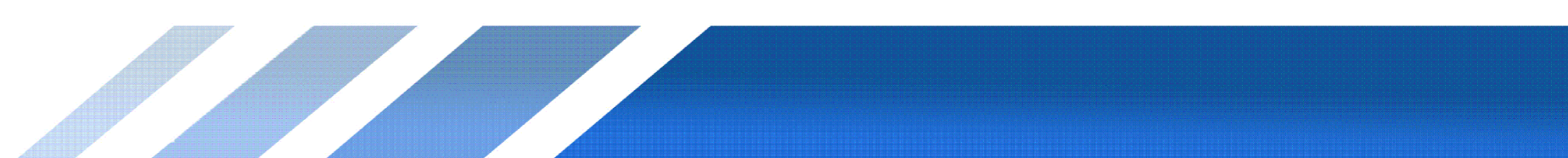
[47]*3

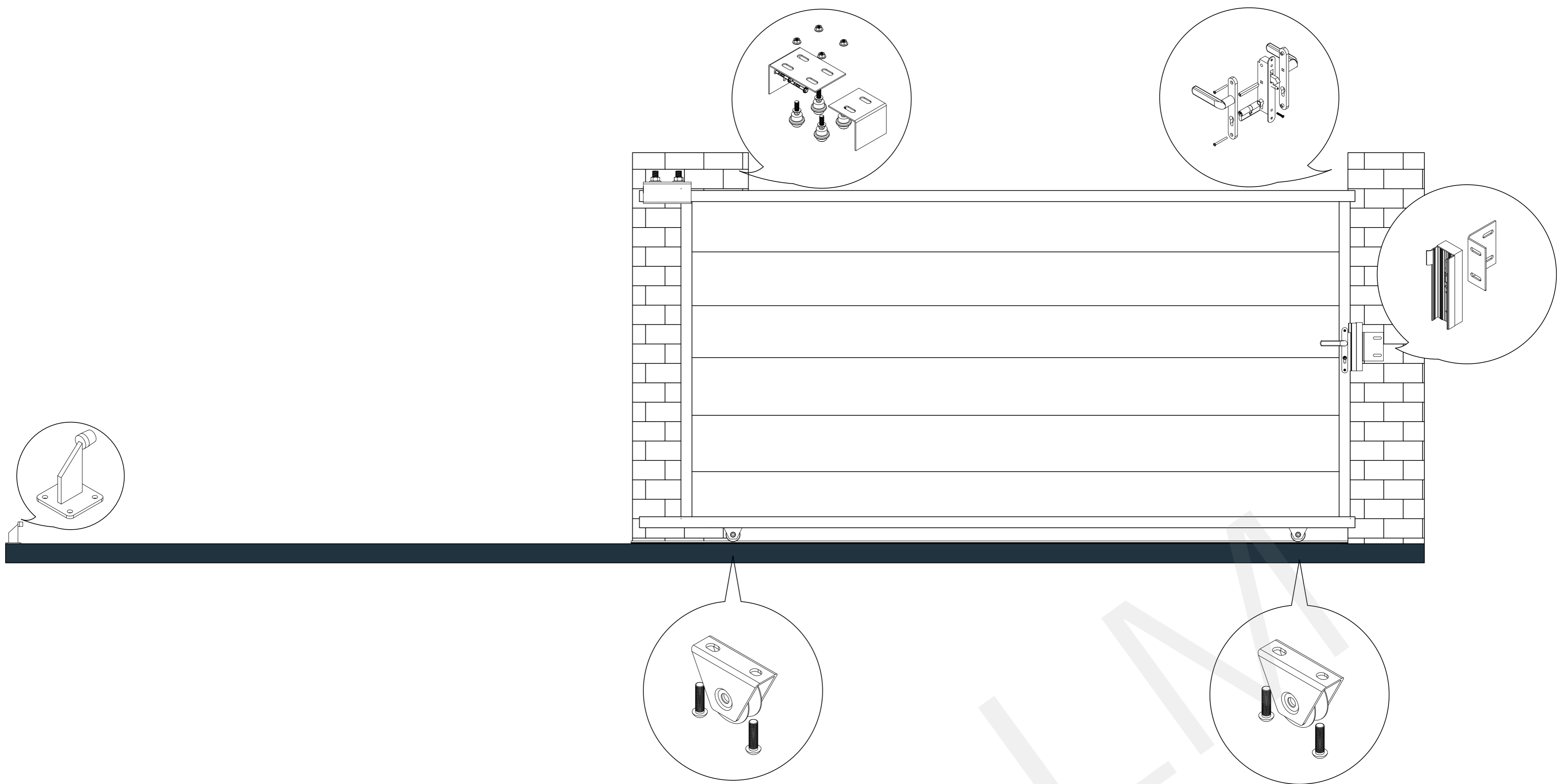


[48]*4

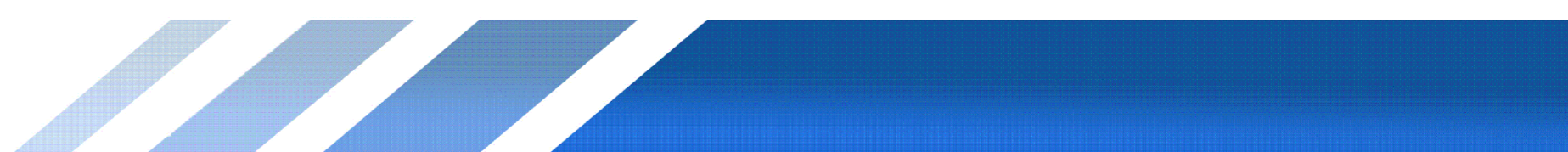
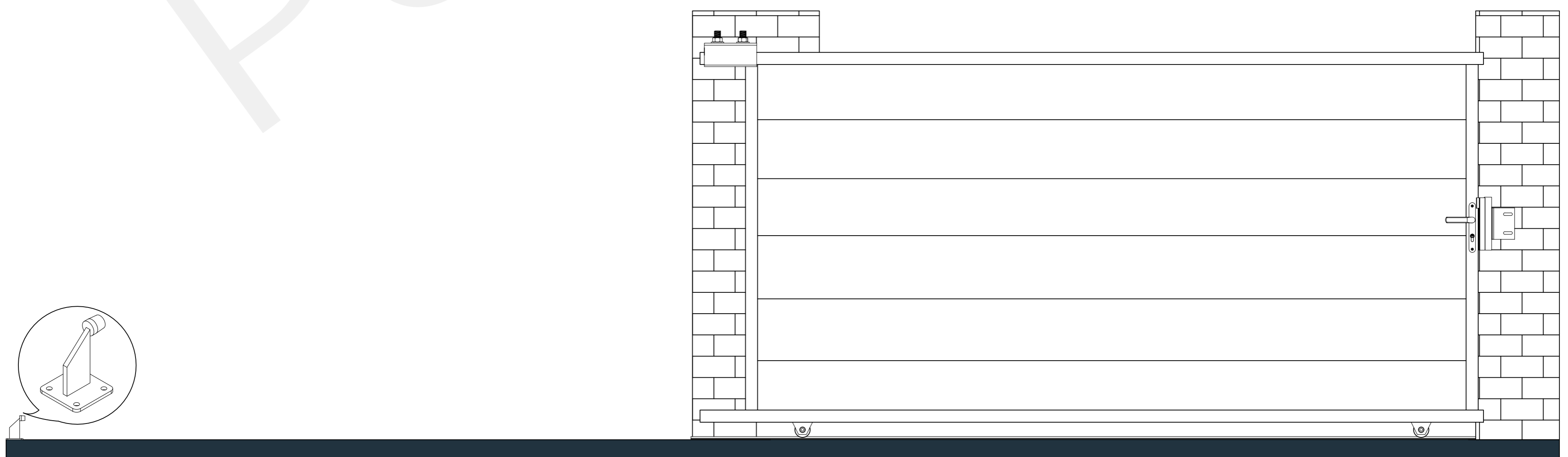


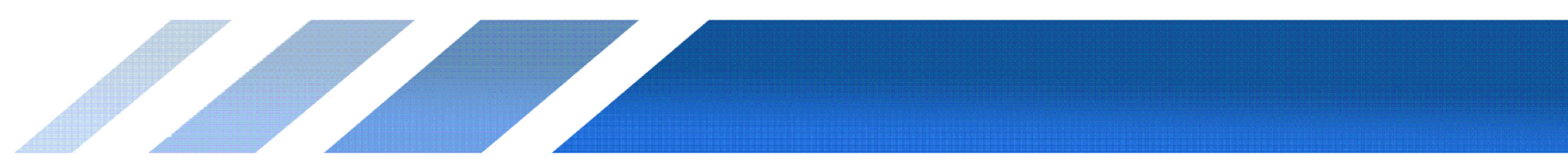
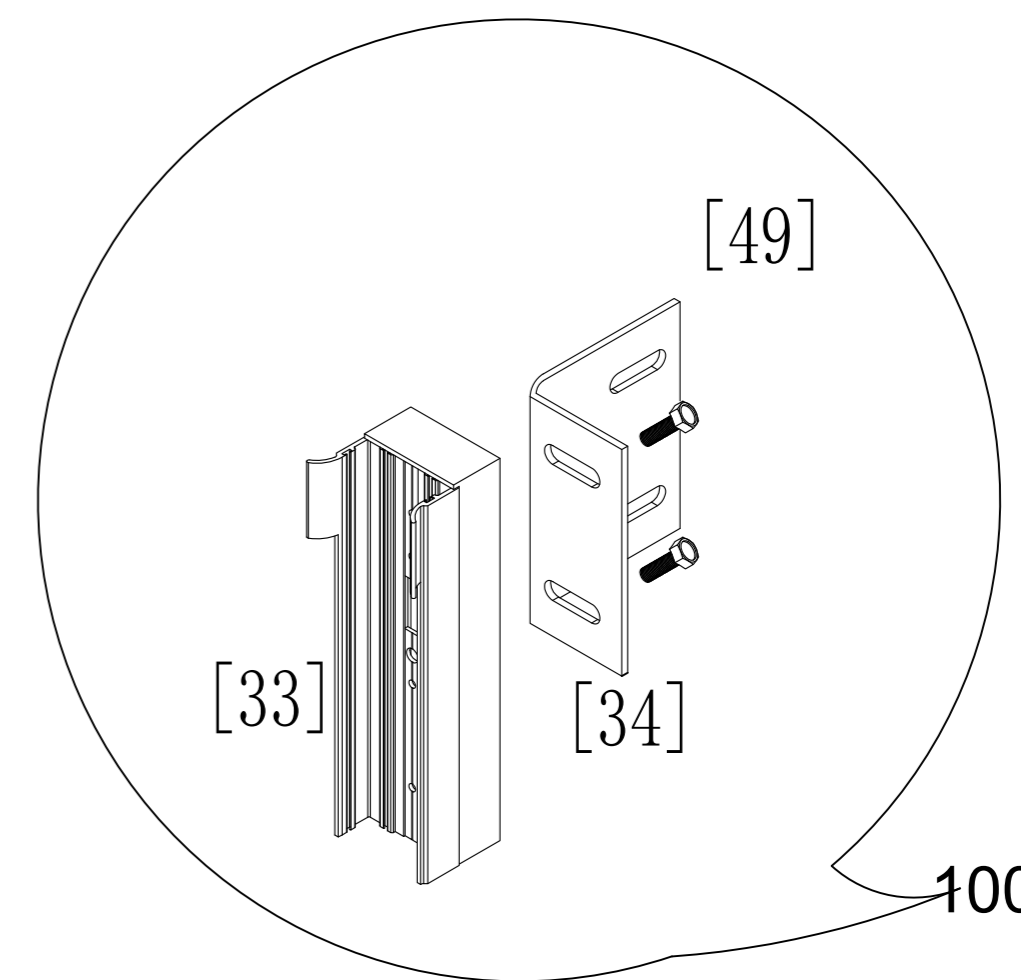
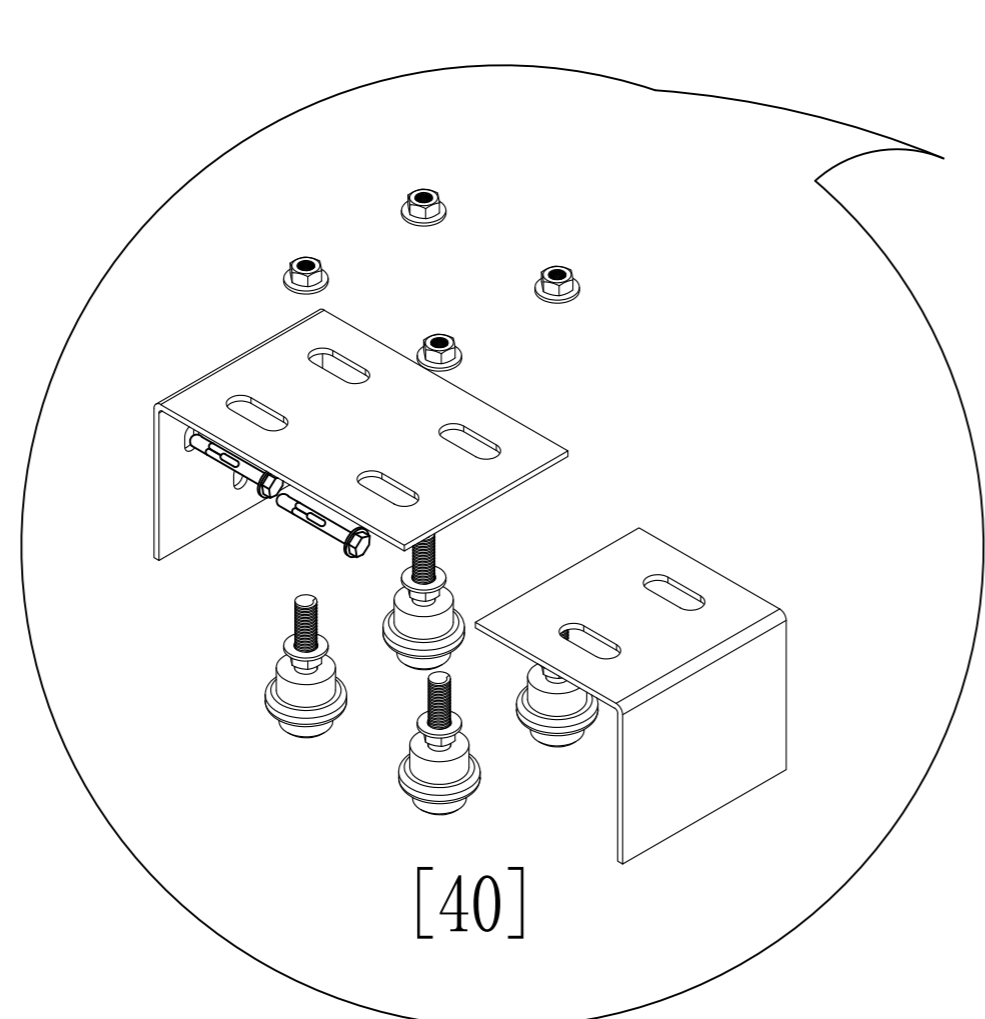
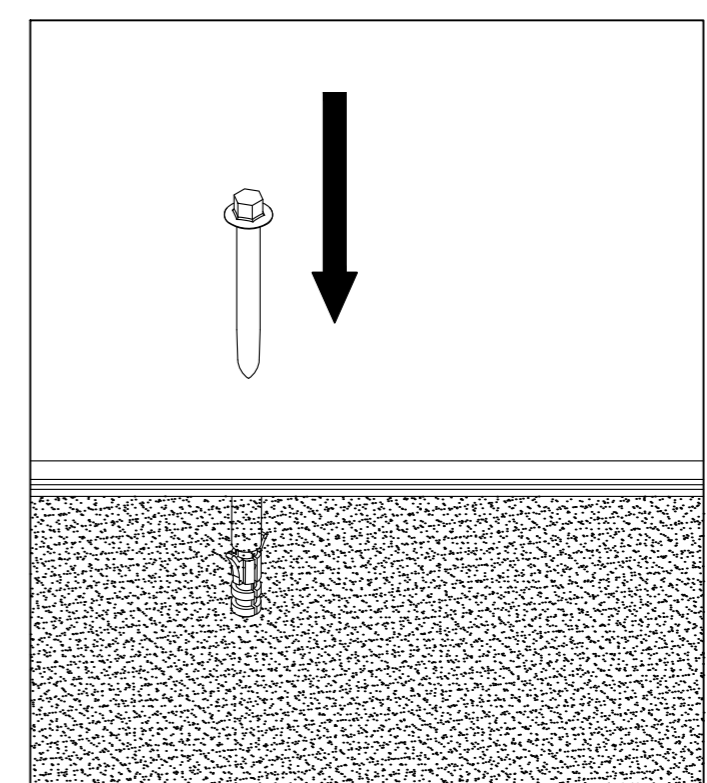
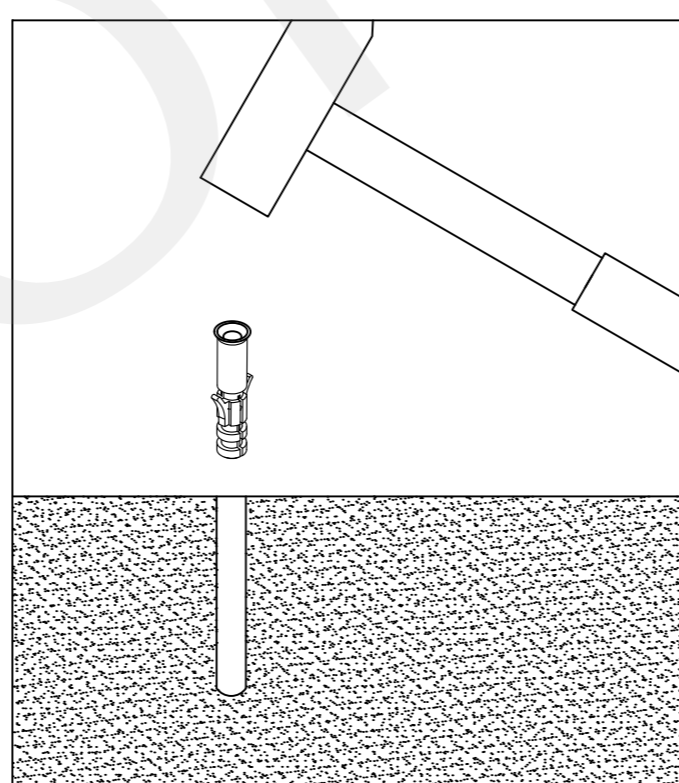
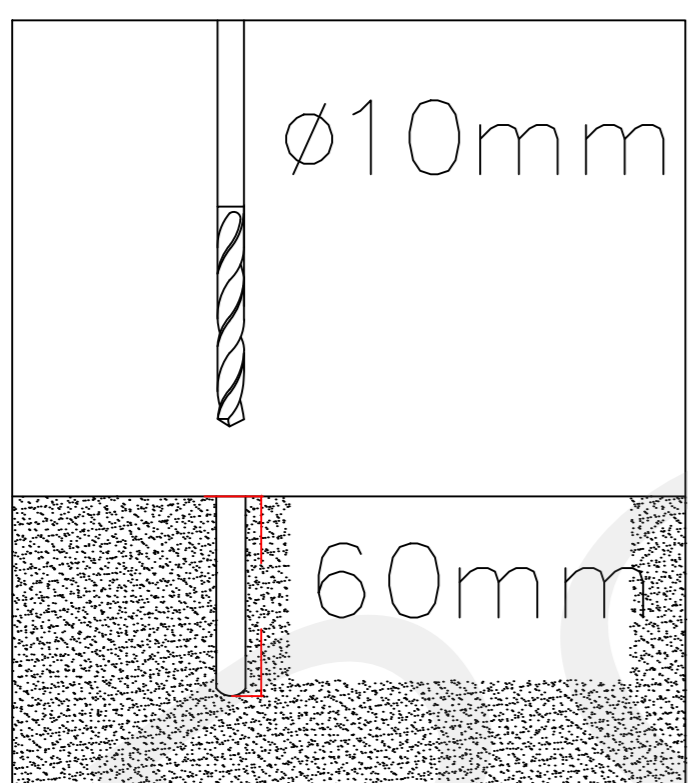
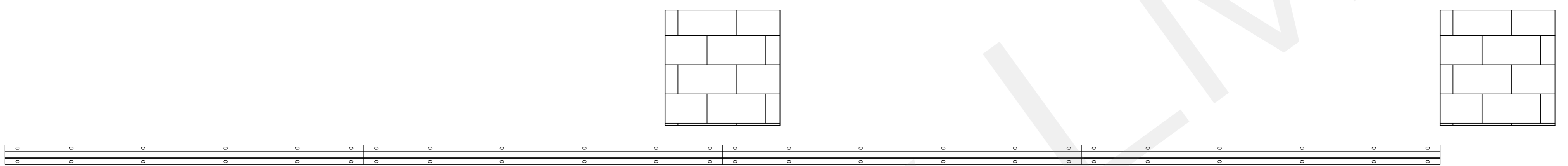
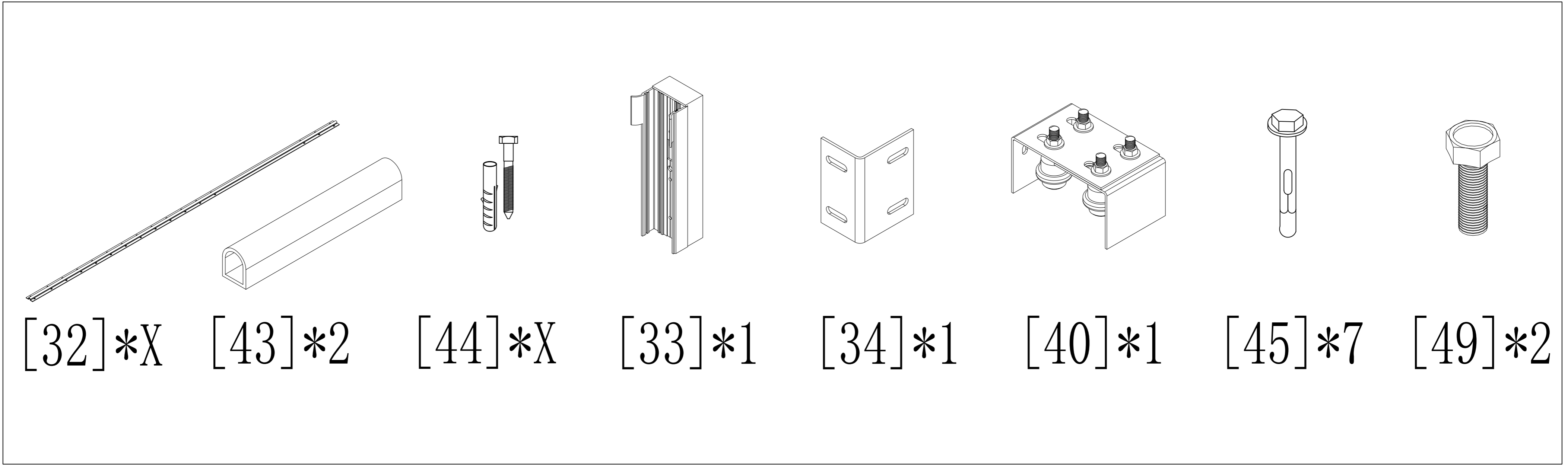
[49]*2

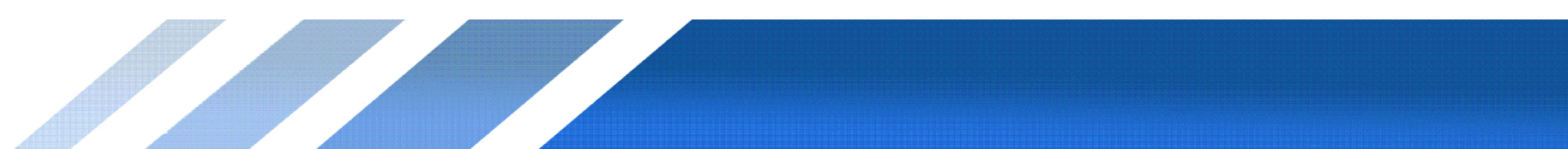
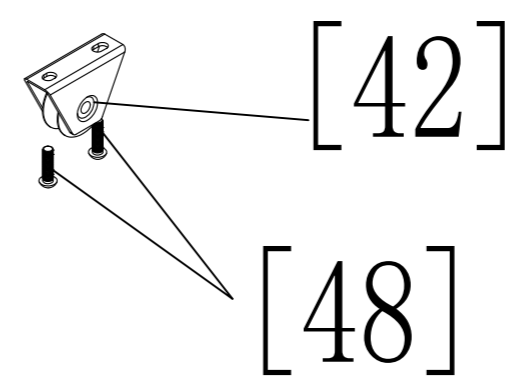
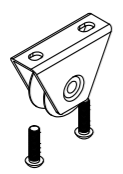
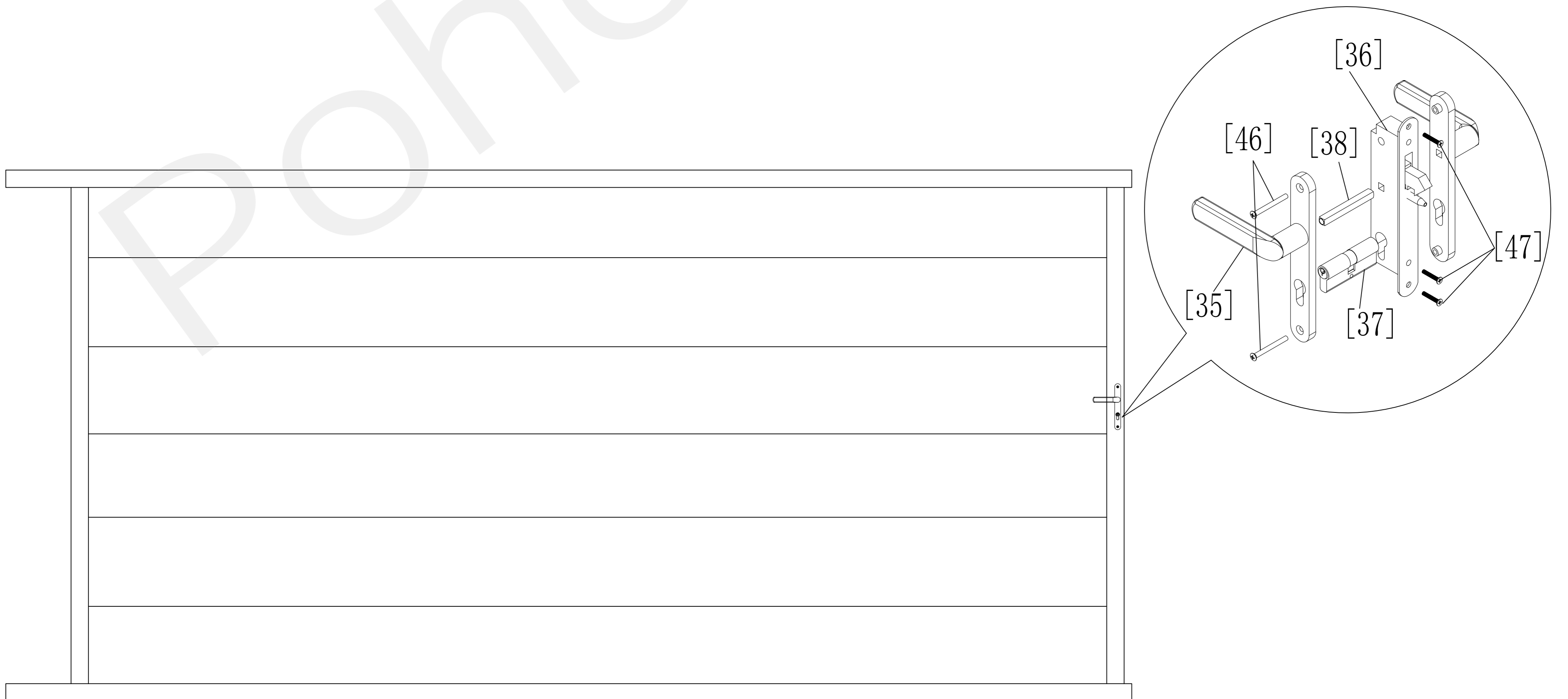
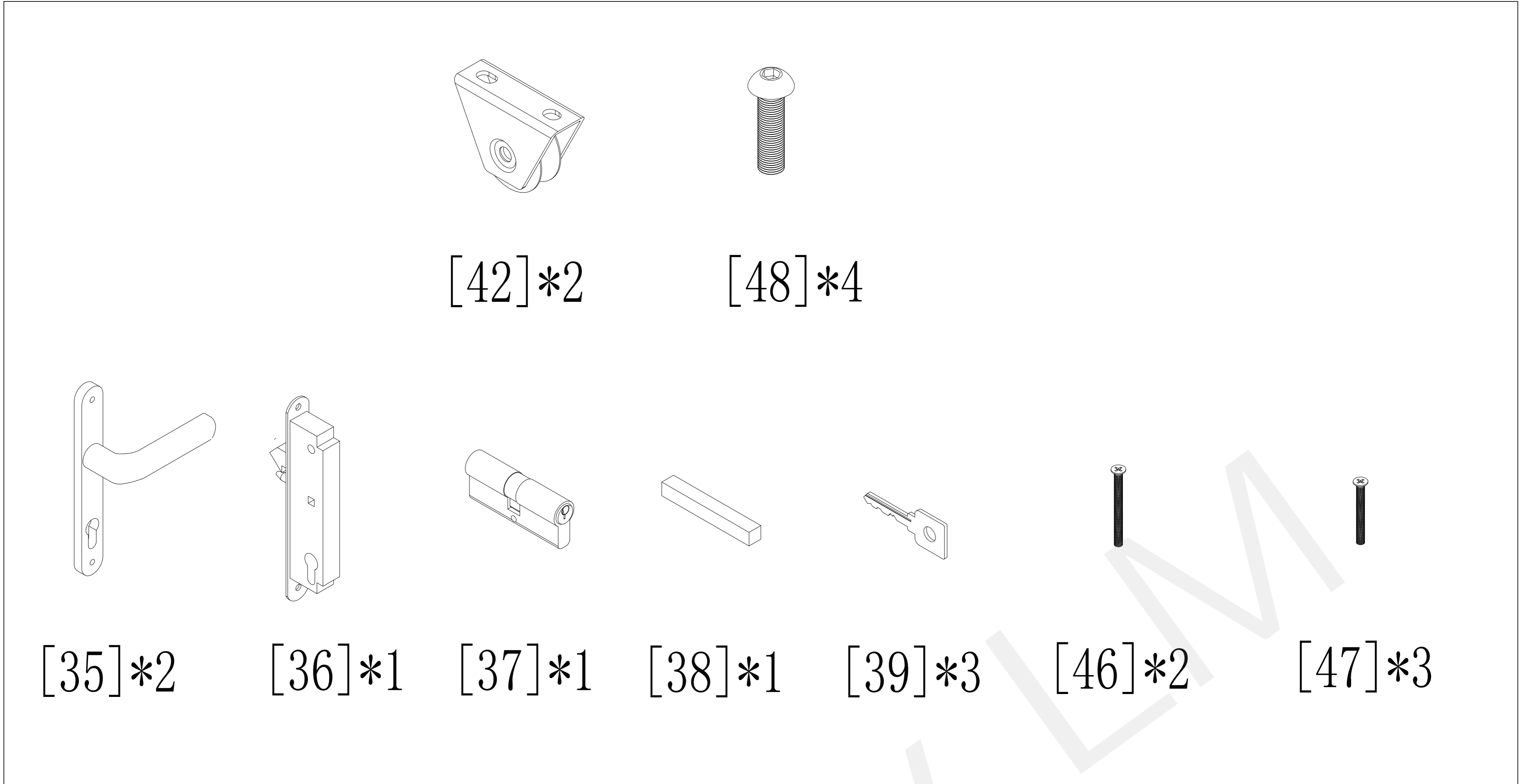


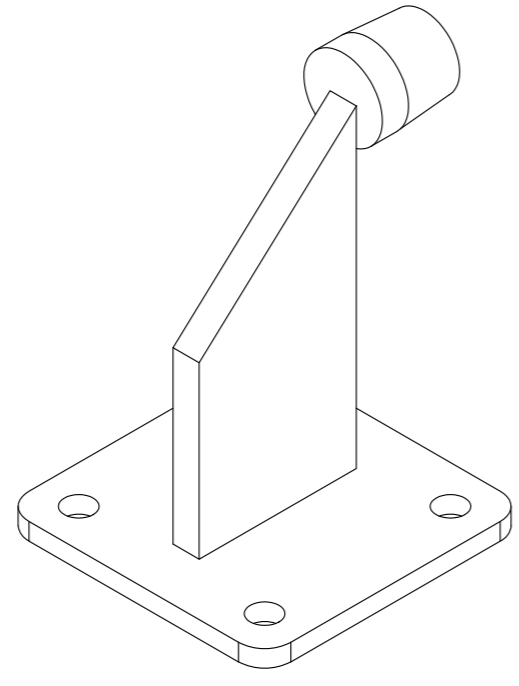


Pohony LM

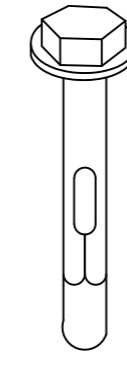








[41]*1



[45]*4

